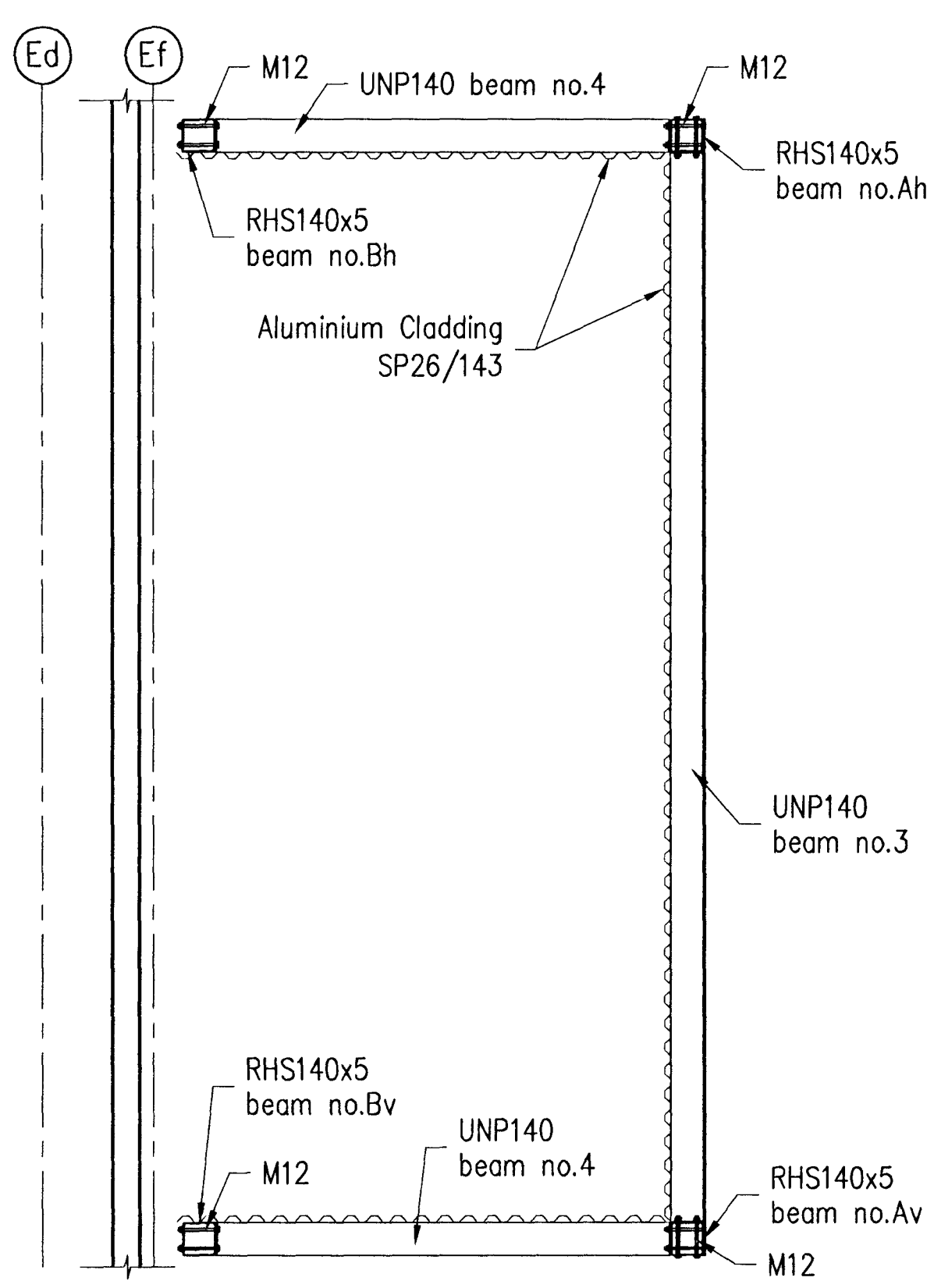
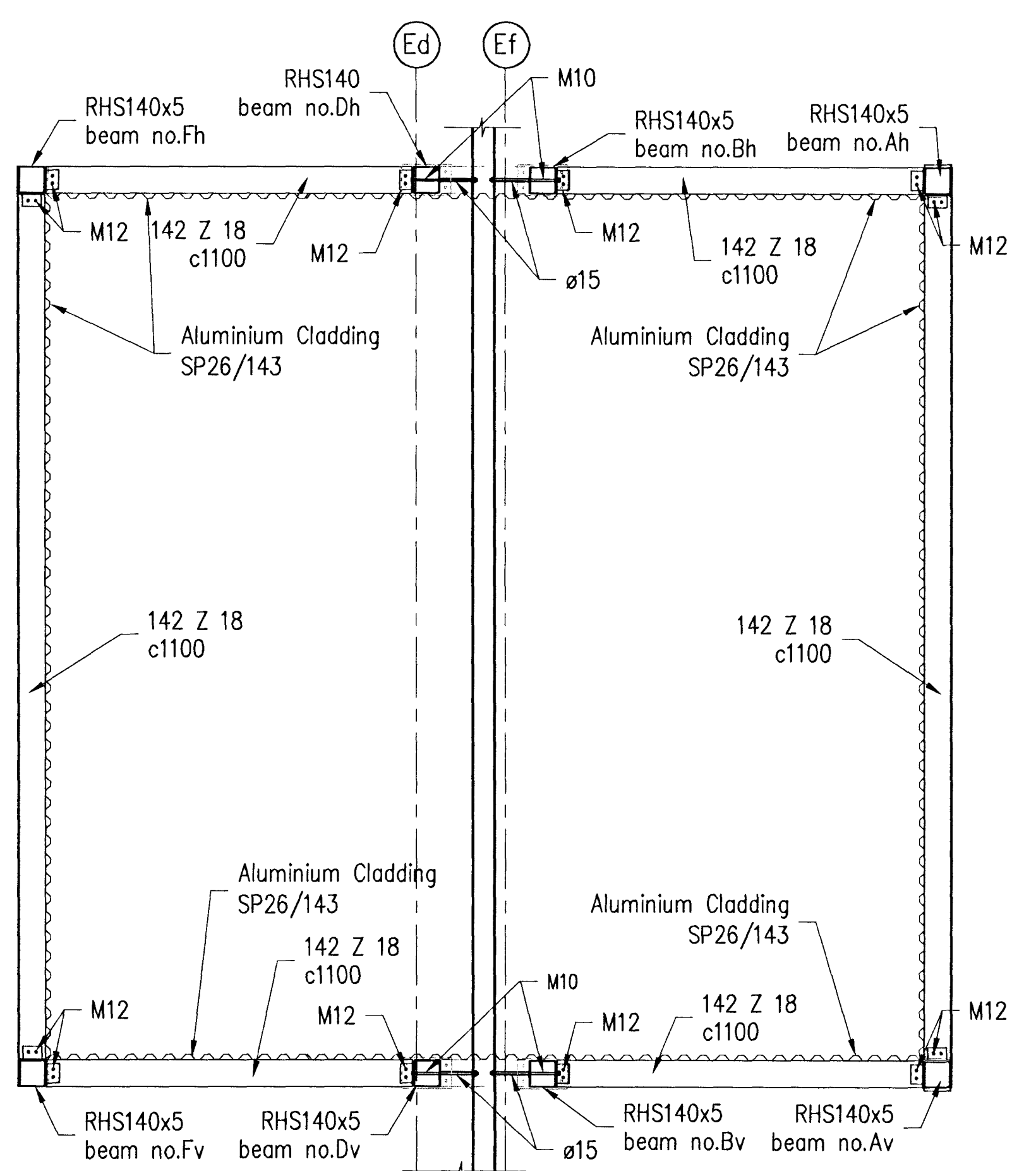


Sambýkkt bann  
20 JAN 2011  
Byggingafulltrúnaður Hafnarfirði  
F.h. Hrólfur S. Gunnlaugsson

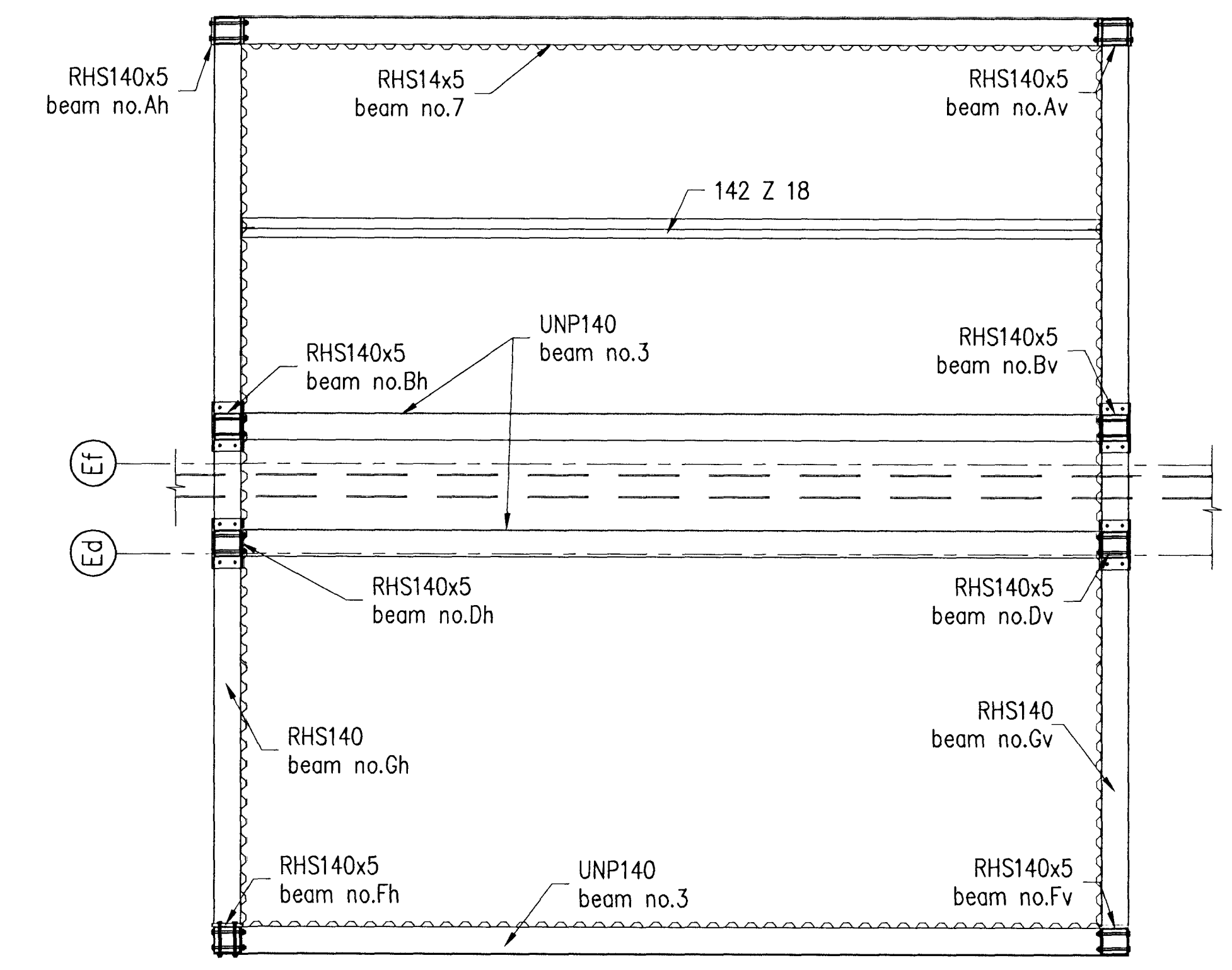
Nich Indriðsson  
NI



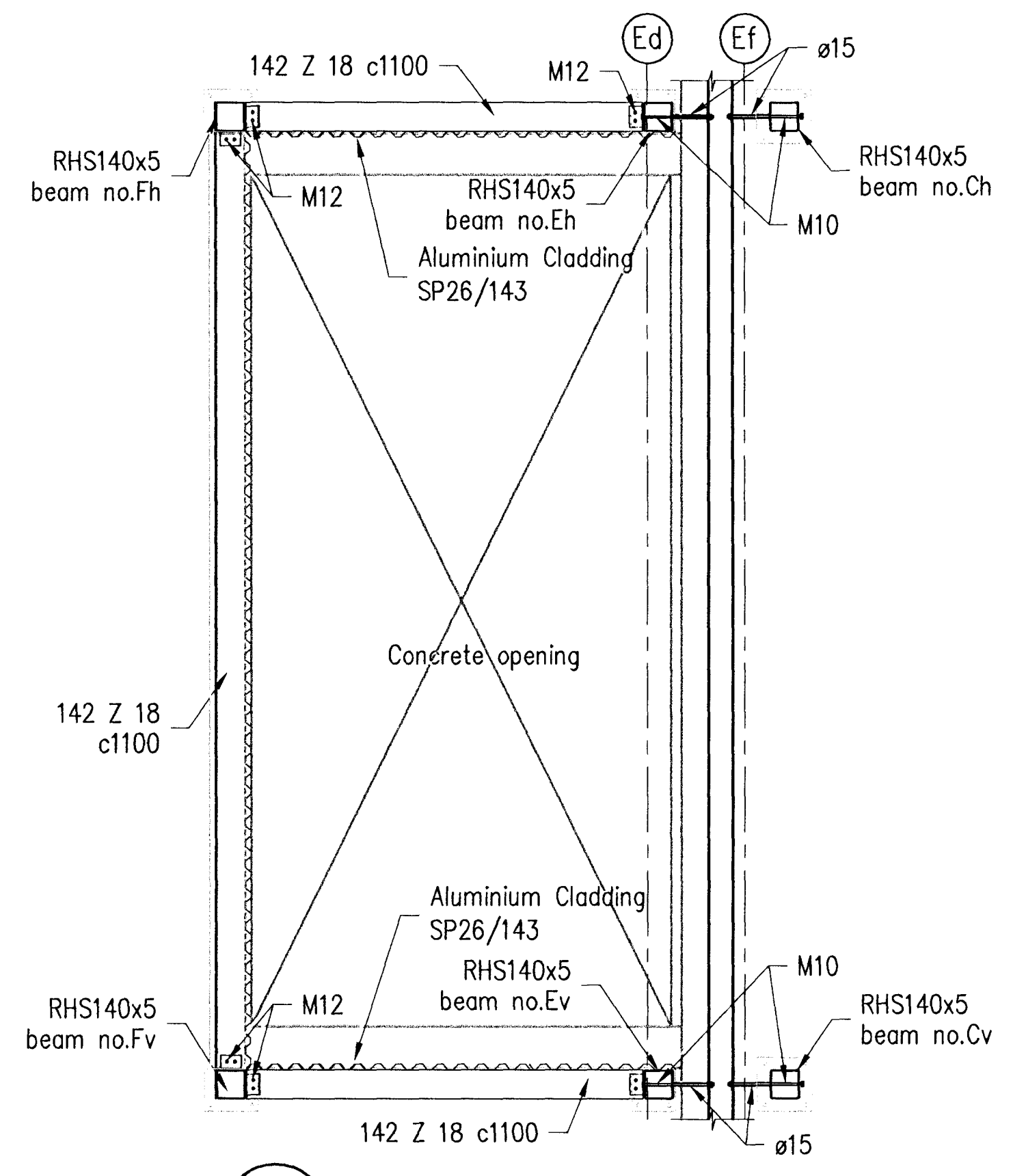
**D**  
264 SECTION, 1:25



**E**  
264 SECTION, 1:25



**G**  
264 SECTION, 1:25



**F**  
264 SECTION, 1:25



**Skýringar:**  
**Explanations:**  
Details, see drawing no. 266 and 267.  
All bolts are 8.8 and hot dip galvanized.  
Shims should be used between aluminium and steel, e.g. rubber or Siga Nail sealing tape.



Breyt. Rev.	Breyting Revision	Dags. Date	Samb. Approved	Nösk. heiml. Released
4	Issued for construction	10.11.24	Kgo	

This drawing is the property of the Rio Tinto Alcan Iceland Ltd. and handed out for personal use only. It may neither be copied nor made available to others without permission of the Rio Tinto Alcan Iceland Ltd. The receiver is liable for any misuse.

Fjöldi stykka Number of pieces	Hlutur Object	Atriði Item	Efni Material	eo.stk Weight	total.t. heild (Eg) bygjad	Althugasemdir Remarks
IV III I I I	ICC CASTHOUSE EXTENSION BUILDINGS, STEP 1 BUILDING 1 VENTILATION, INTAKE, SECTIONS				1:25	
	HRV					
	AgS	2010.05.28	Yfirfarið Checked	NI		
			Sambýkkt Approved			
			ISAL Stráurvik Alcan Iceland Ltd IS-222 Hafnarþingur			