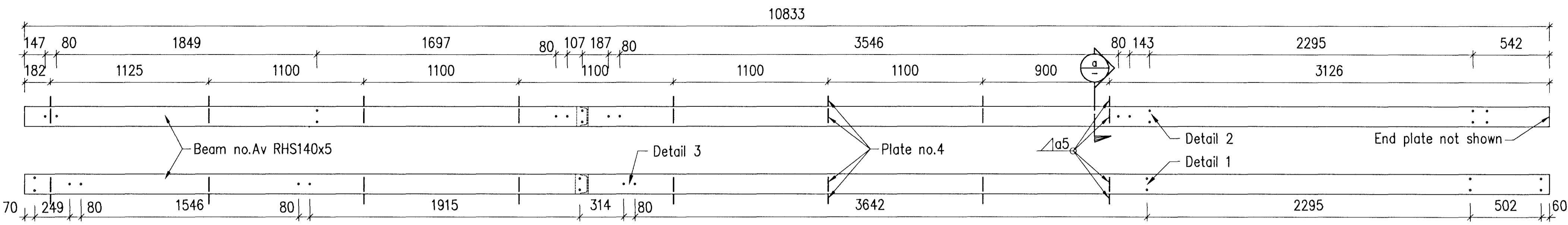
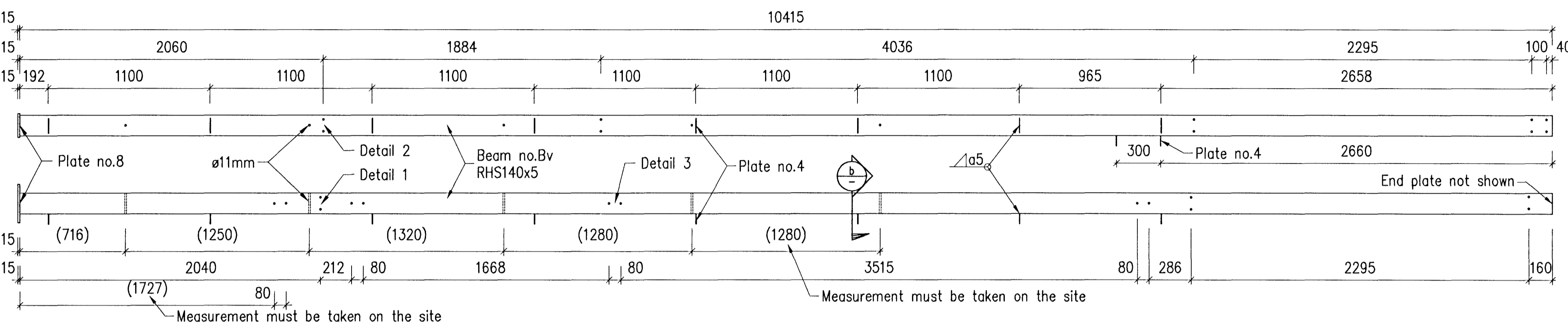
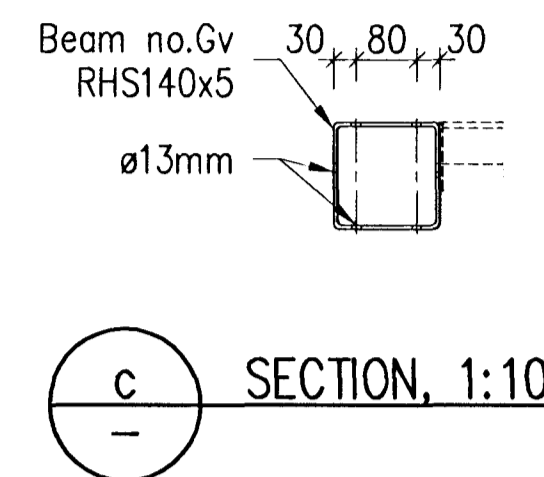
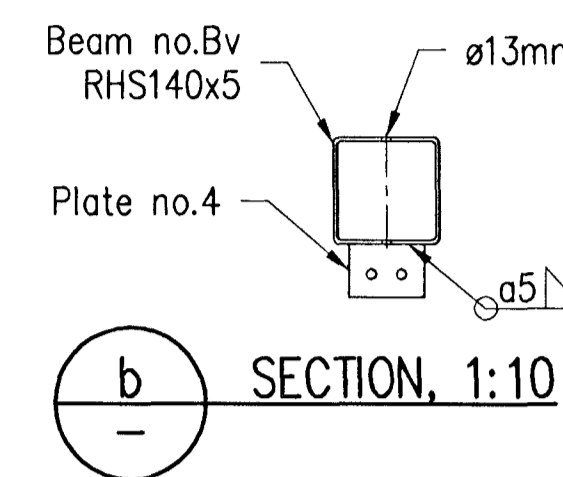
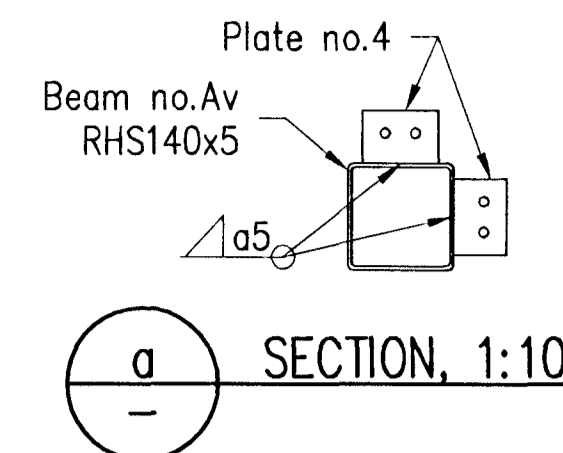


Sambýkkt þann  
20 JAN 2011  
Byggingafrúitryggning í Hafnarfirði  
Fh. Hrólfur S. Gunnlaugsson

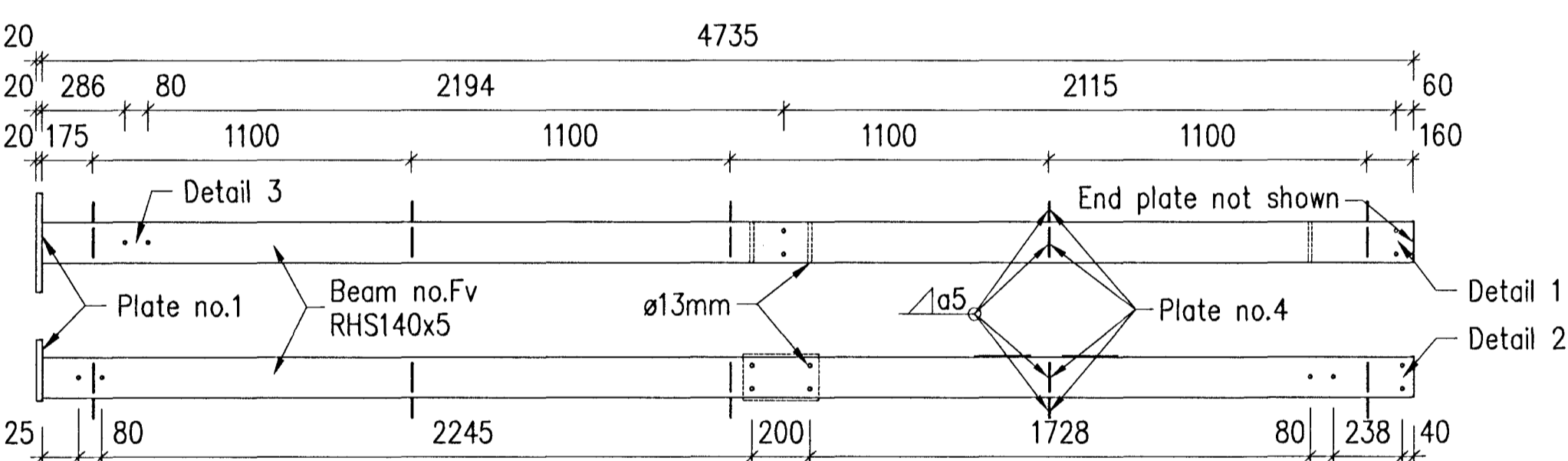
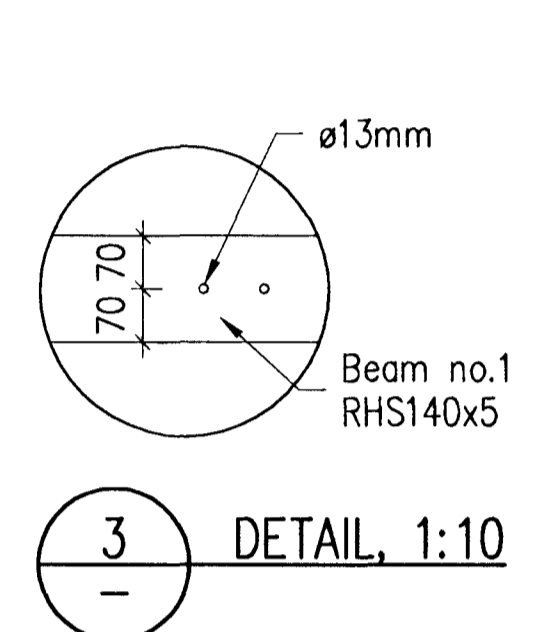
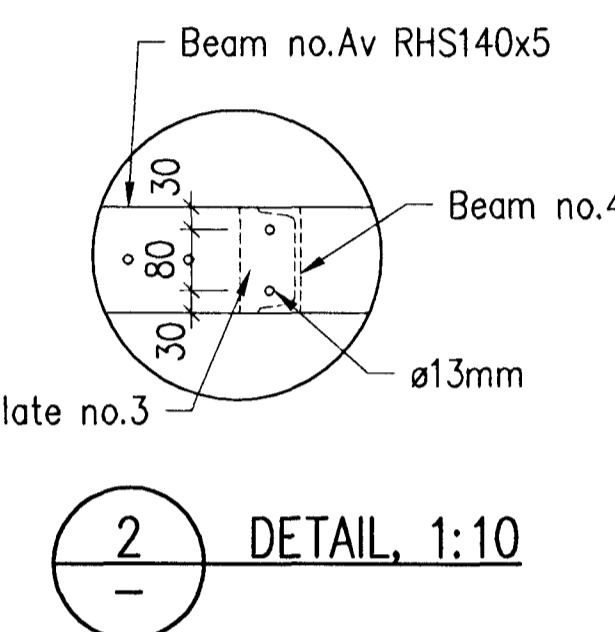
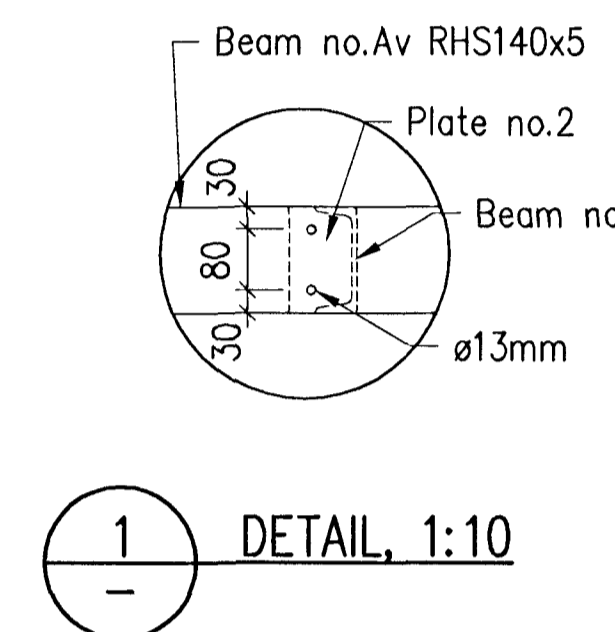
Nich Indriásson  
N1



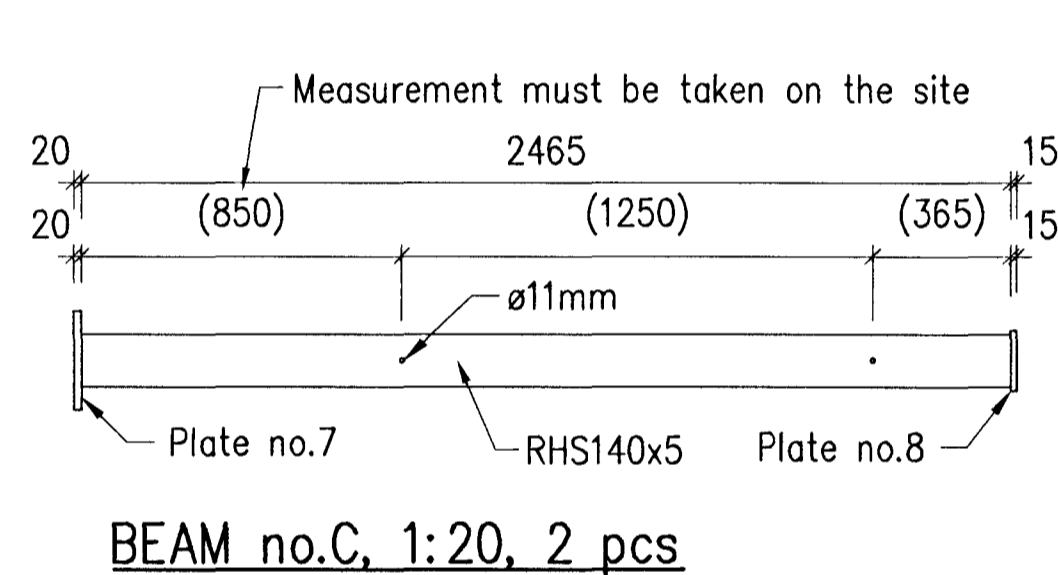
**BEAM no.Av, 1:20, 1 pcs** (BEAM no.Ah is mirrored, 1 pcs)



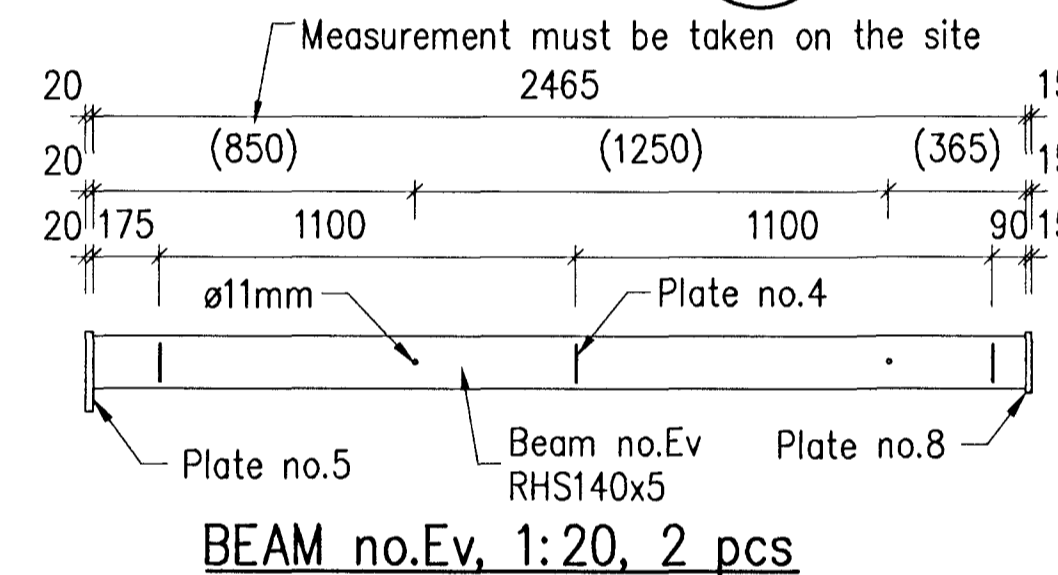
**BEAM no.Bv, 1:20, 1 pcs** (BEAM no.Bh is mirrored, 1 pcs)



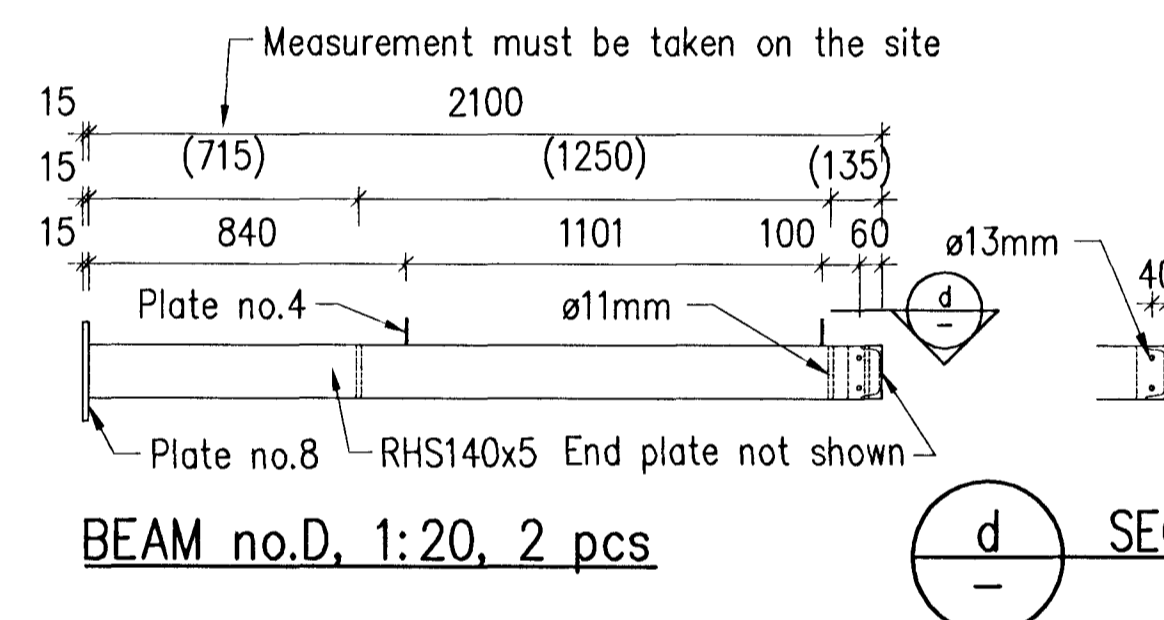
**BEAM no.Fv, 1:20, 1 pcs** (BEAM no.Fh is mirrored, 1 pcs)



**BEAM no.C, 1:20, 2 pcs**

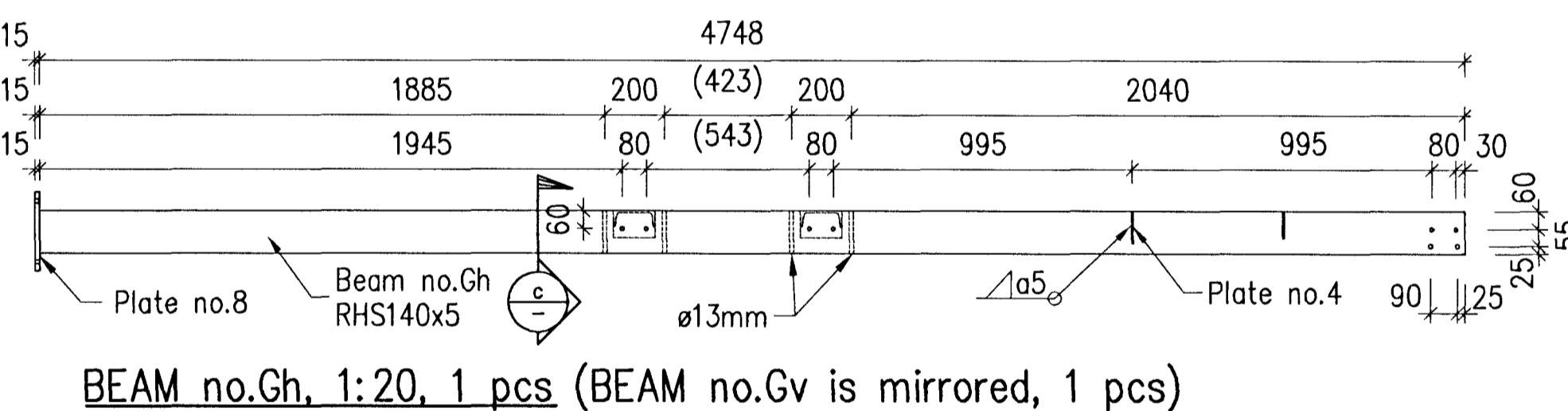


**BEAM no.Ev, 1:20, 2 pcs**

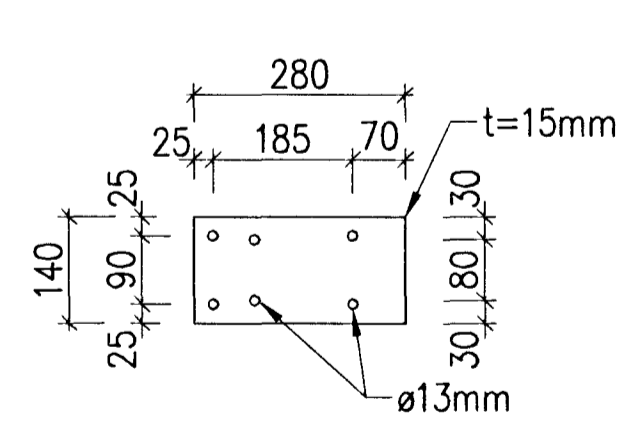
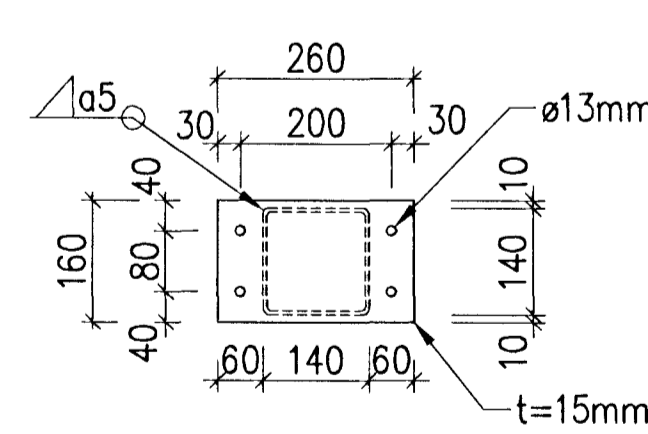
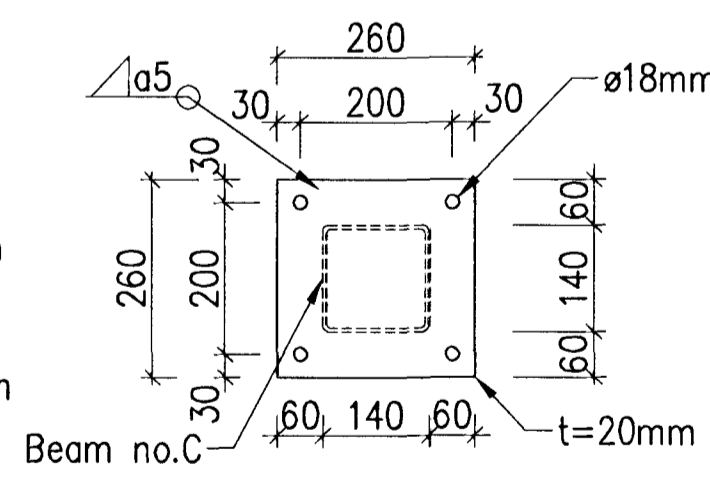
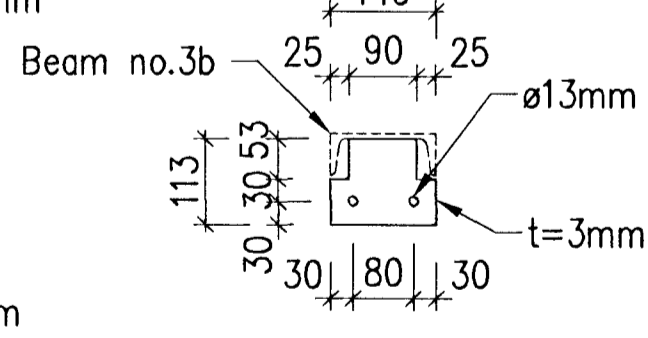
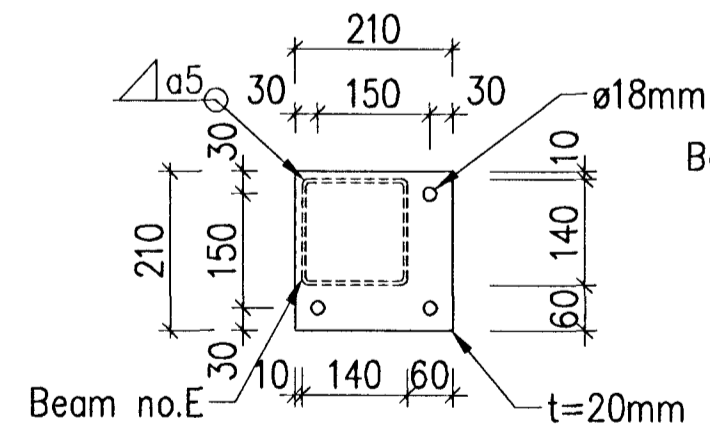
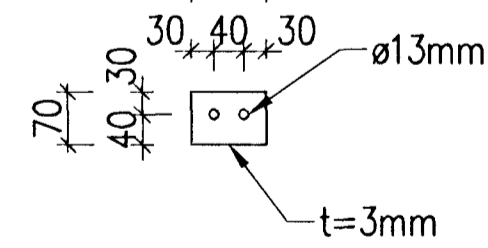
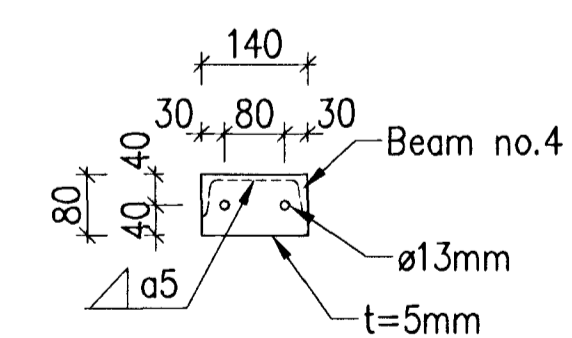
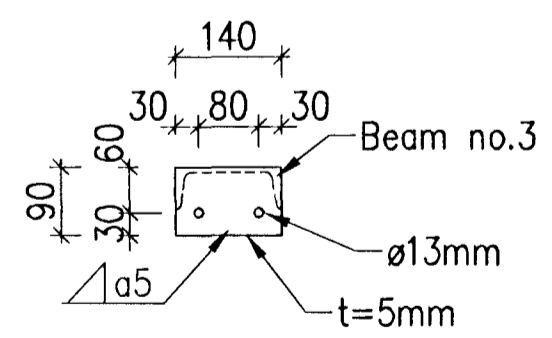
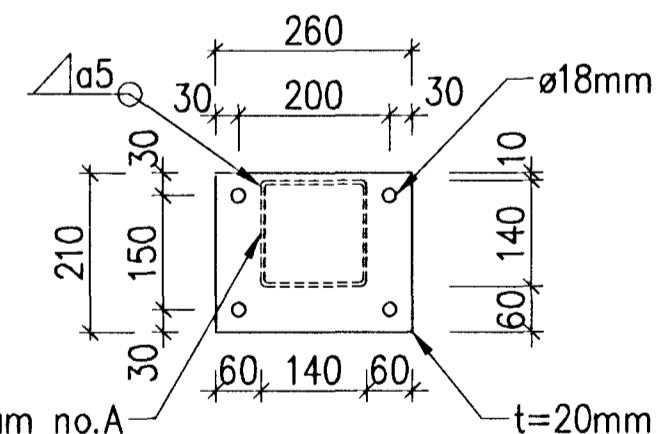


**BEAM no.D, 1:20, 2 pcs**

**SECTION d, 1:20**



**BEAM no.Gh, 1:20, 1 pcs** (BEAM no.Gv is mirrored, 1 pcs)



**PLATE no.1, 1:10, 2 pcs**

**PLATE no.2, 1:10, 28 pcs**

**PLATE no.3, 1:10, 24 pcs**

**PLATE no.4, 1:10, 86 pcs**

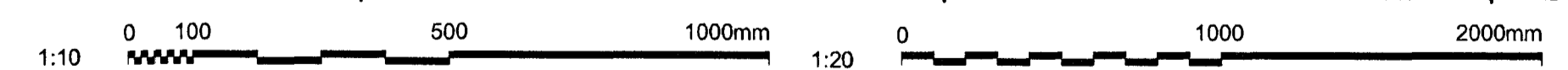
**PLATE no.5, 1:10, 2 pcs**

**PLATE no.6, 1:10, 2 pcs**

**PLATE no.7, 1:10, 2 pcs**

**PLATE no.8, 1:10, 10 pcs**

**PLATE no.9, 1:10, 4 pcs**



**Skýringar:**  
**Explanations:**  
All steel material shall be corrosion protected, class C5-M according to IST EN ISO12944-2:1998  
See also drawing no.267.



This drawing is the property of the Rio Tinto Alcan Iceland Ltd. and handed out for personal use only. It may neither be copied nor made available to others without permission of the Rio Tinto Alcan Iceland Ltd. The receiver is liable for any misuse.

Fjöldi stykkja	Object	Material	Weight	Unit	Total weight	Remarks
IV III II I	ICC	HRV				Scale: 1:20/10
CASTHOUSE EXTENSION BUILDINGS, STEP 1						
BUILDING 1						
VENTILATION, INTAKE, DETAILS						
Vertikal / Supplier						
Tækn. Drawn / Drawn of supply / Breyt. / Rev						
AgS 2010.05.28						
Yfirfarð / Checked						
Sambýkkt / Approved						
Drögn. of ISAL / Tekn. nr. ISAL						
ISAL						
Alcan Iceland Ltd						
S-222 Hafnarfirði						
Yfirfarð og stöð / Checked and fixed						
Notkun heimild / Released						

