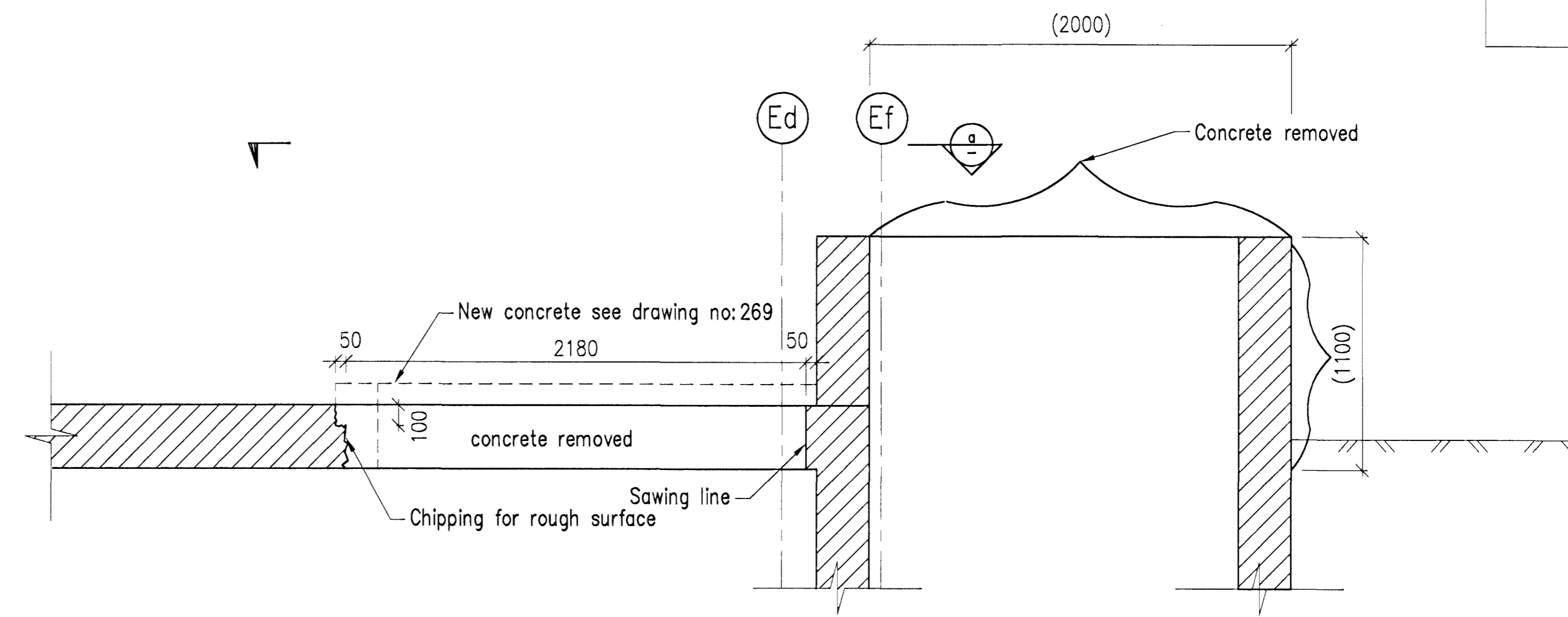
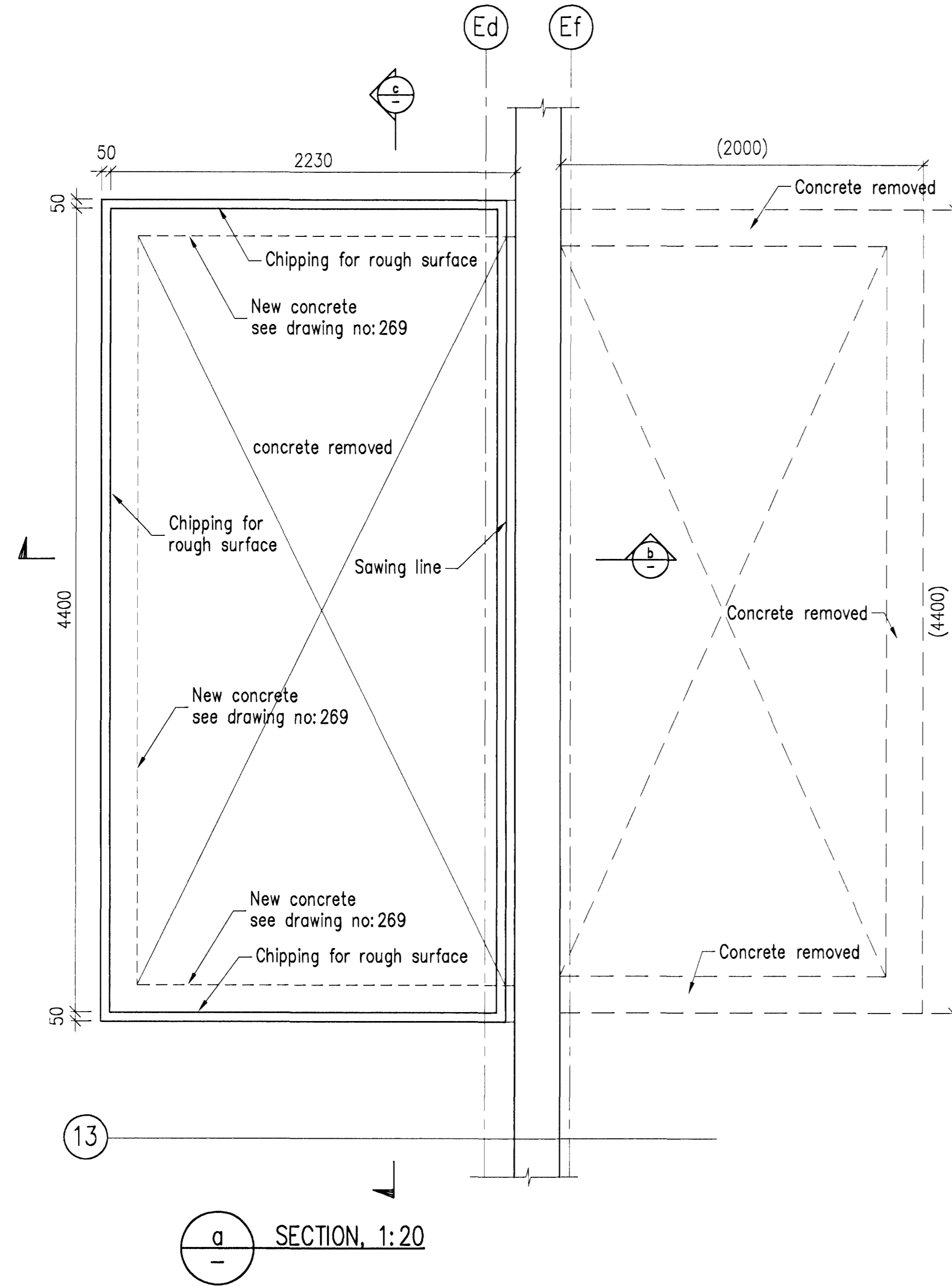
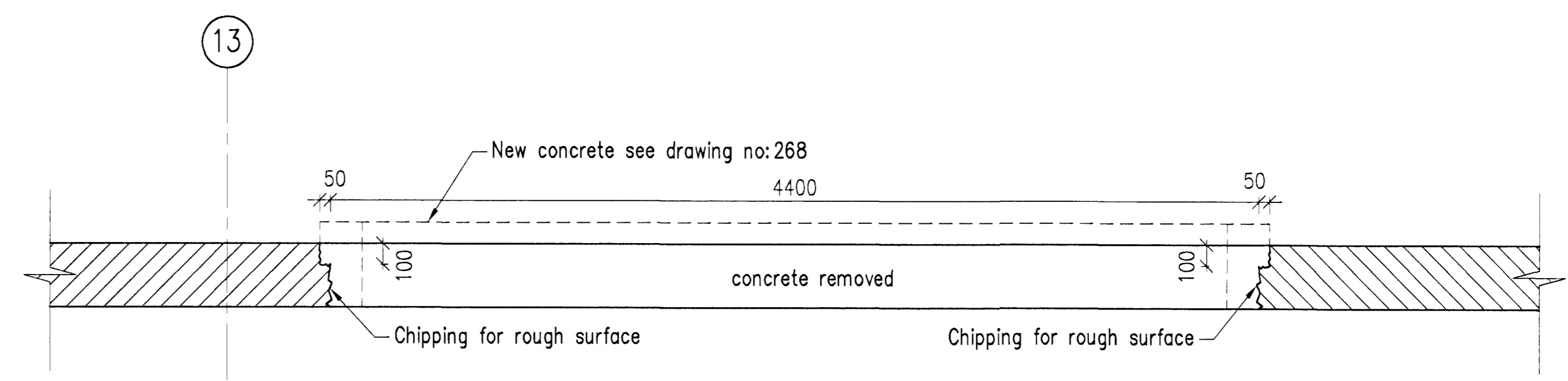


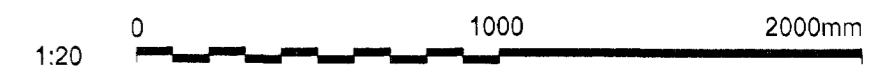
Nick Indriðsson
NI



b SECTION, 1:20



c SECTION, 1:20



Skýringar:
Explanations:
New concrete see drawings ICC-611-ZA-518-269 and ICC-611-CA-518-207.



3	Issued for construction	10.11.24	Kgp		
Breyt. / Rev.	Breyting / Revision	Dagur / Date	Samb. / Approved	Notk. heimil. / Released	
Tilteikningar nr. ISAL / Ref. drawing no. of ISAL		Samsætt. teikningar nr. ISAL / Assembly drawing no. of ISAL			

Fjöldi stúkkja / Number of pieces		Hlutur / Object	Átriði / Item	Efni / Material	ea. st. / Weight (kg)	total / Total (kg)	Althugasemdir / Remarks
IV	III	ICC					Scale 1:20
		CASTHOUSE EXTENSION BUILDINGS, STEP 1					
		BUILDING 2					
		OPENING FOR NEW AIR INTAKE					
varian / Supplier		HRV					
Teiknað / Drawn	AgS	2010.08.27	Yfirfarð / Checked	NI			
Skráning / Drawing		ISAL	Drögn af ISAL / Teikn. af ISAL				
Skráning / Drawing		ISAL	Skráning / Drawing				