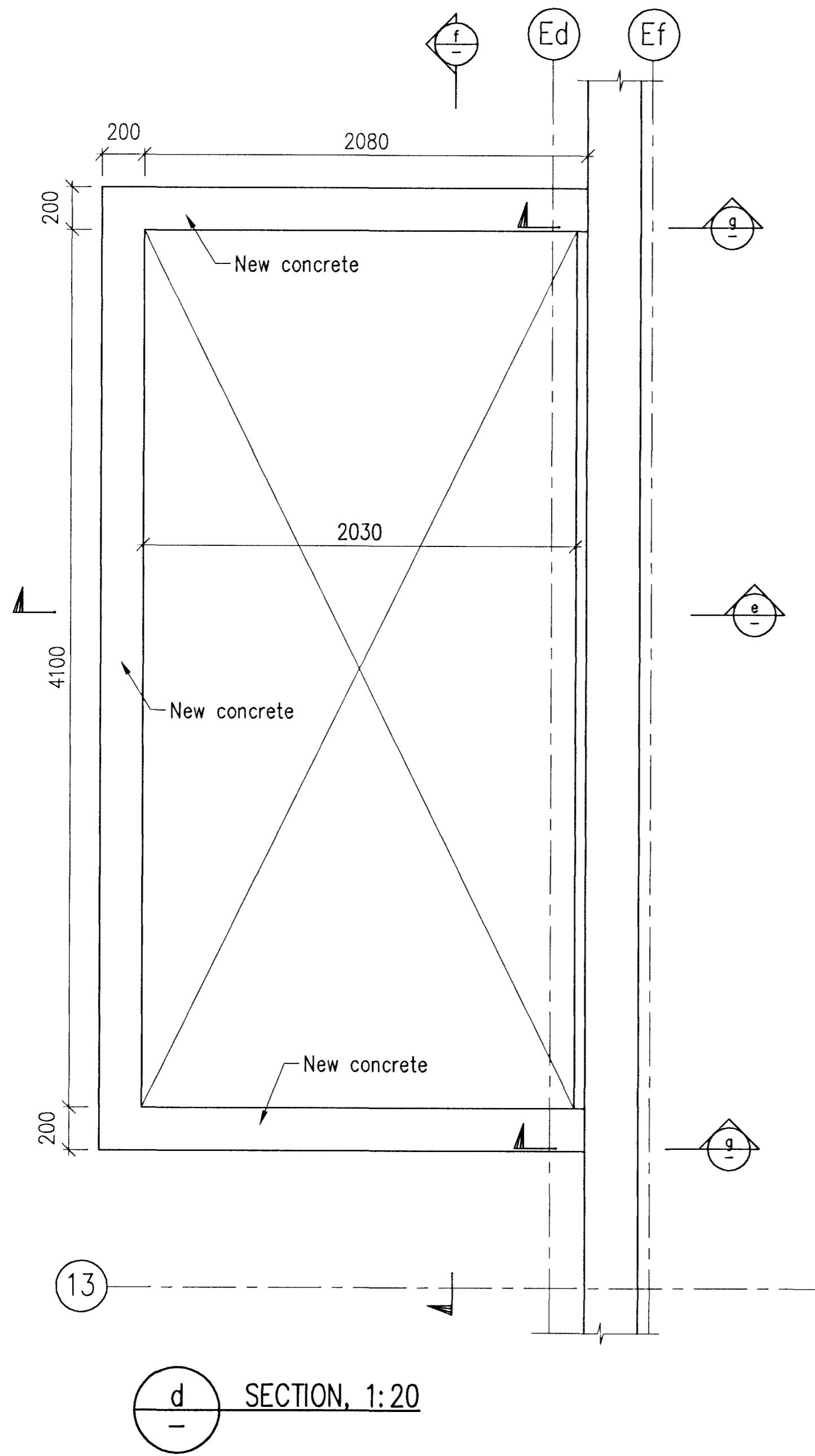
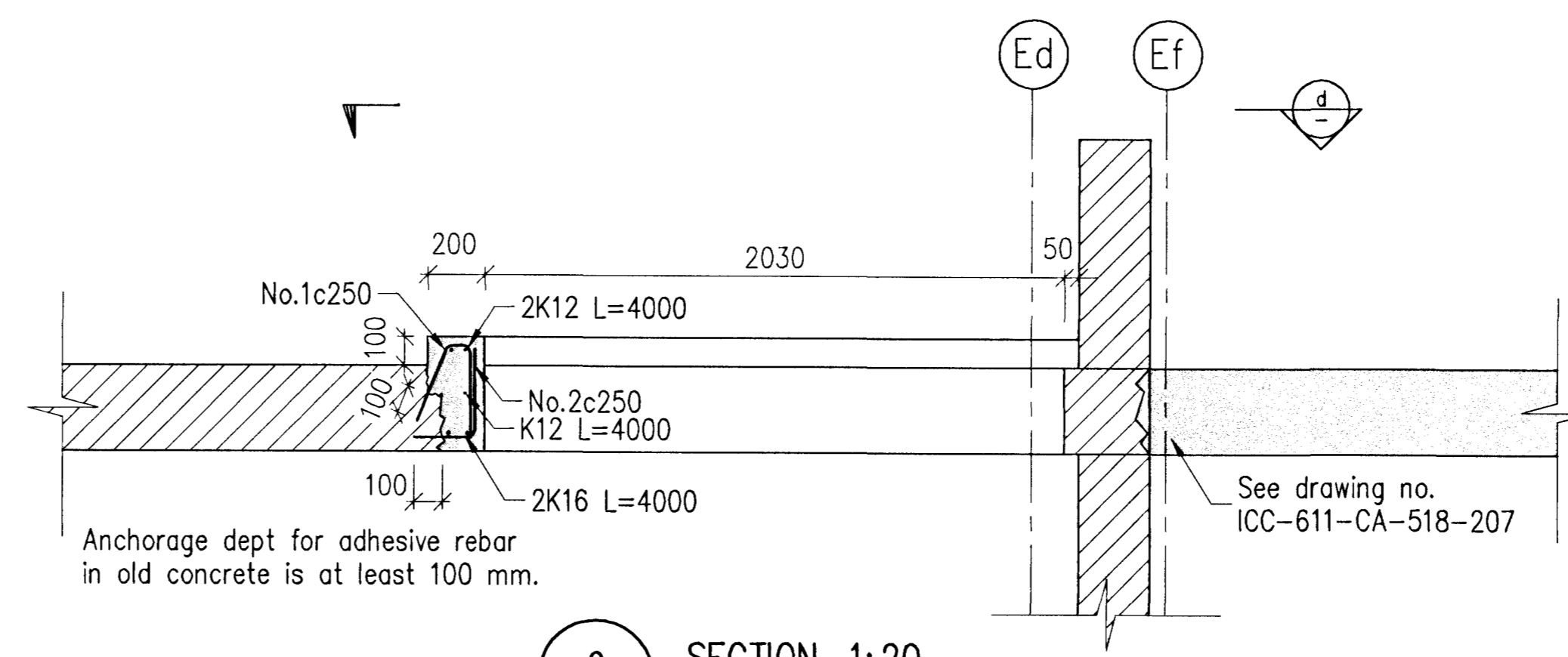


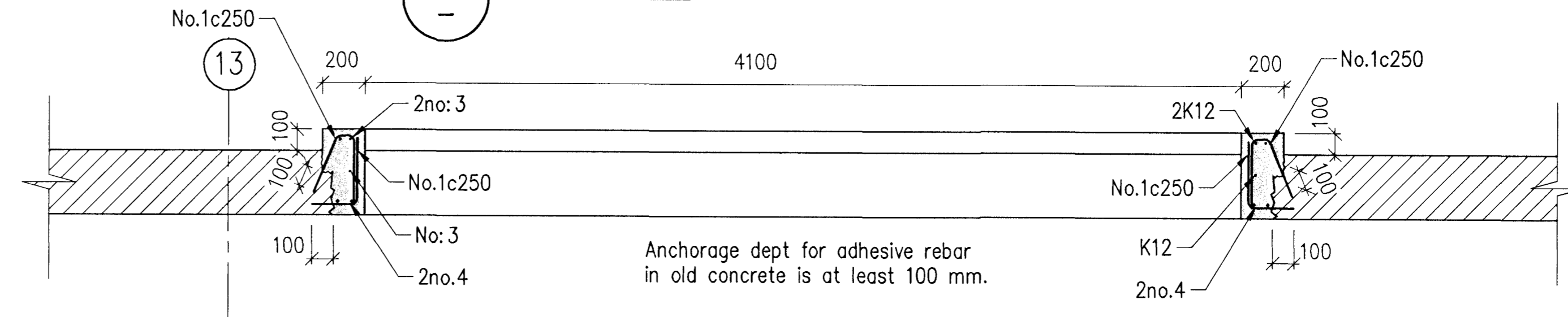
Nich Indúðsáa
w



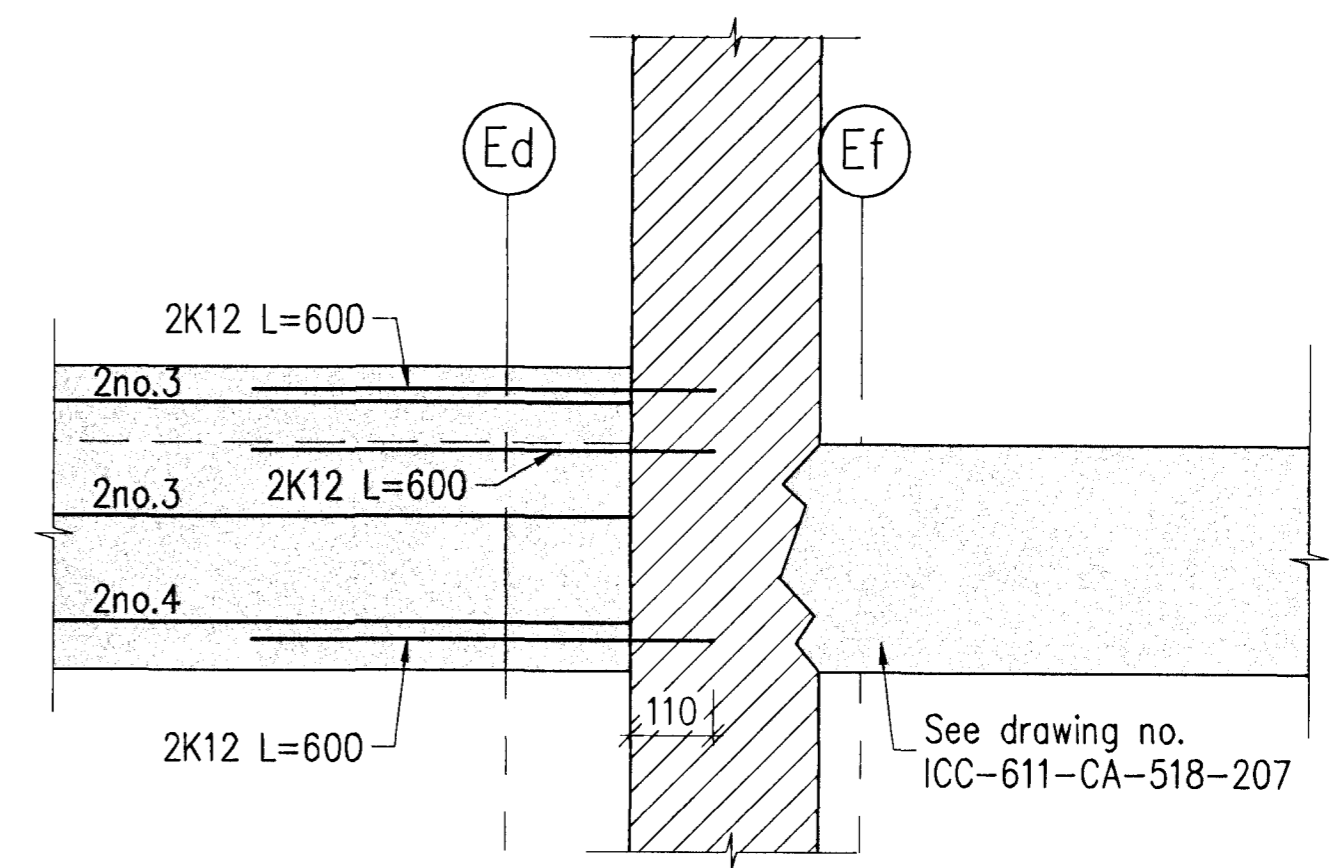
d SECTION, 1:20



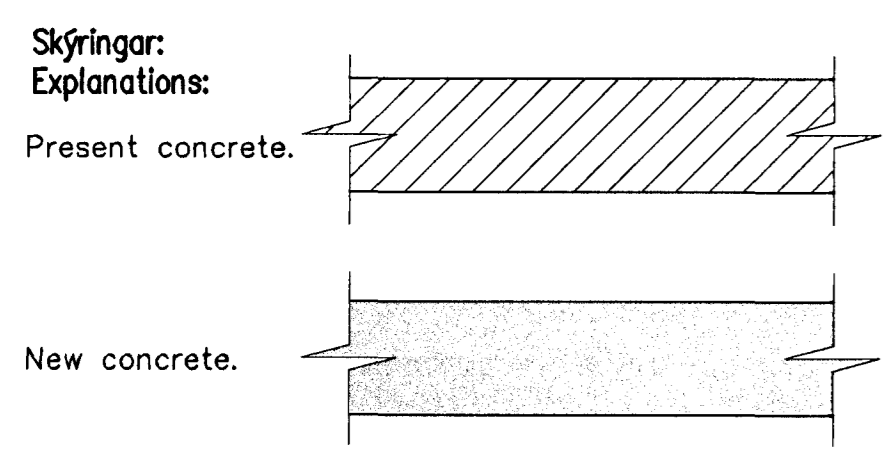
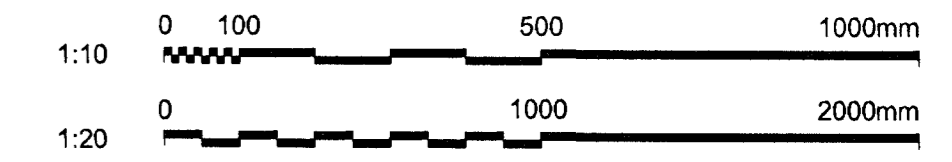
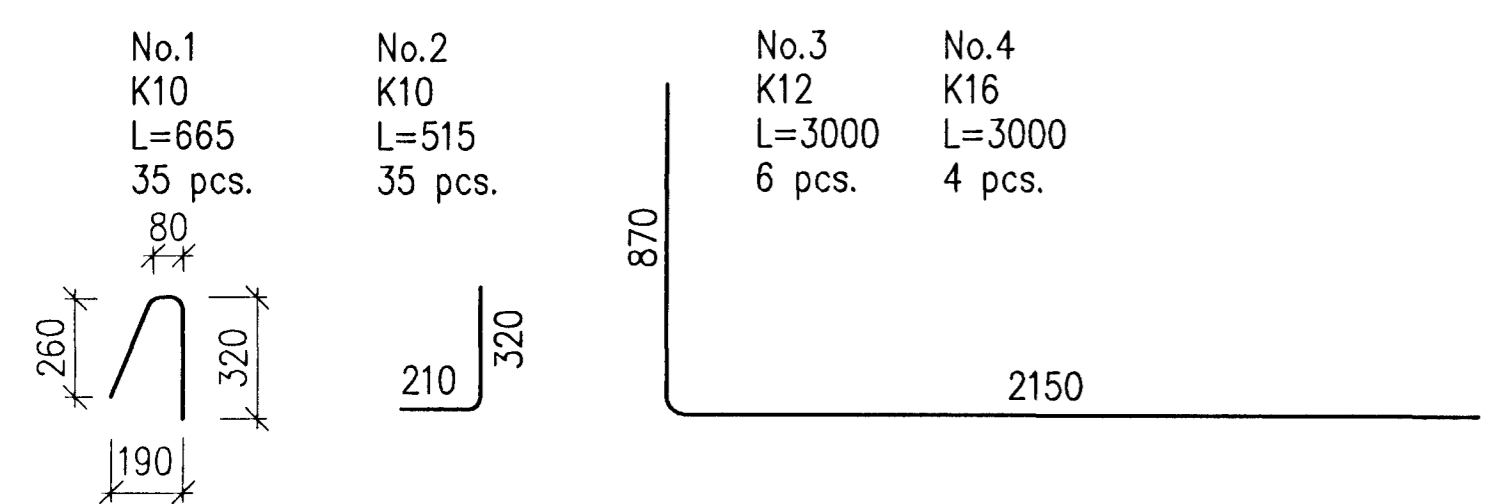
e SECTION, 1:20



f SECTION, 1:20



g SECTION, 1:10



3	Issued for construction	10.11.24	Kgp		
Breyt. Rev.	Breyting Revision	Daga Date	Samþ. Approved	Notk. heimil. Released	
Tav.teikningar nr. ISAL Ref.drawing no. of ISAL		Samsetn.teikningar nr. ISAL Assembly drawing no. of ISAL			

Fjöldi stúkkja Number of pieces		Hlutur Object		Atrið Item	Efni Material	eo. stik Weight	total t. heild (kg) bympd.	Althugasemdir Remarks
IV	III	II	I					
ICC CASTHOUSE EXTENSION BUILDINGS, STEP 1 BUILDING 2 NEW CONCRETE -- NEW AIR INTAKE								Stærð Formát A1 Mkv. Scale 1:20/10 Kostn.nr.--Súnnr. / Cóna.-Eq.no.
Verktali / Supplier HRV								Tekn. nr. vertaka / Draw.no. of suppl. Breyt./Rev. ICC-611-2A-518-269 C
Teknað / Drawn AgS 2010.08.27								Yfirfarð / Checked NI
Samþykkt / Approved								Samþykkt / Approved
Drögn. nr. of ISAL / Tekn.nr. ISAL								Breyt./Rev.
RioTinto Alcan								ISAL Straumsvik Alcan Iceland Ltd IS-222 Hafnarfrúnni
Teknað / Drawn								Yfirfarð og skráð / Checked and filed
Notkun heimil. / Released								Notkun heimil. / Released