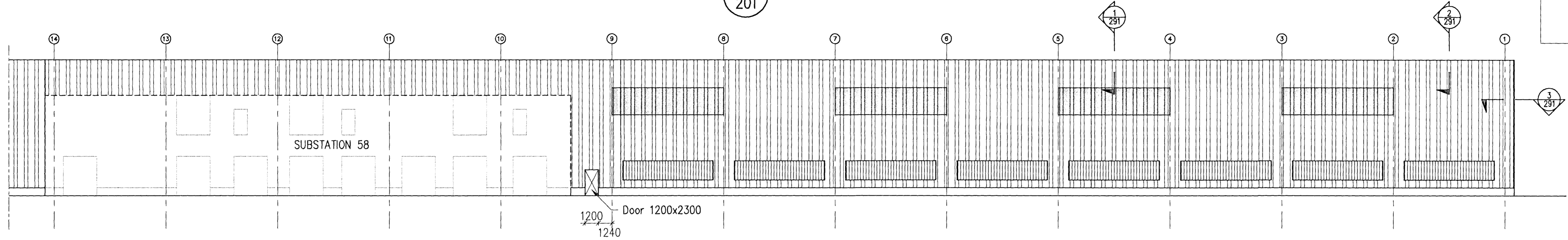


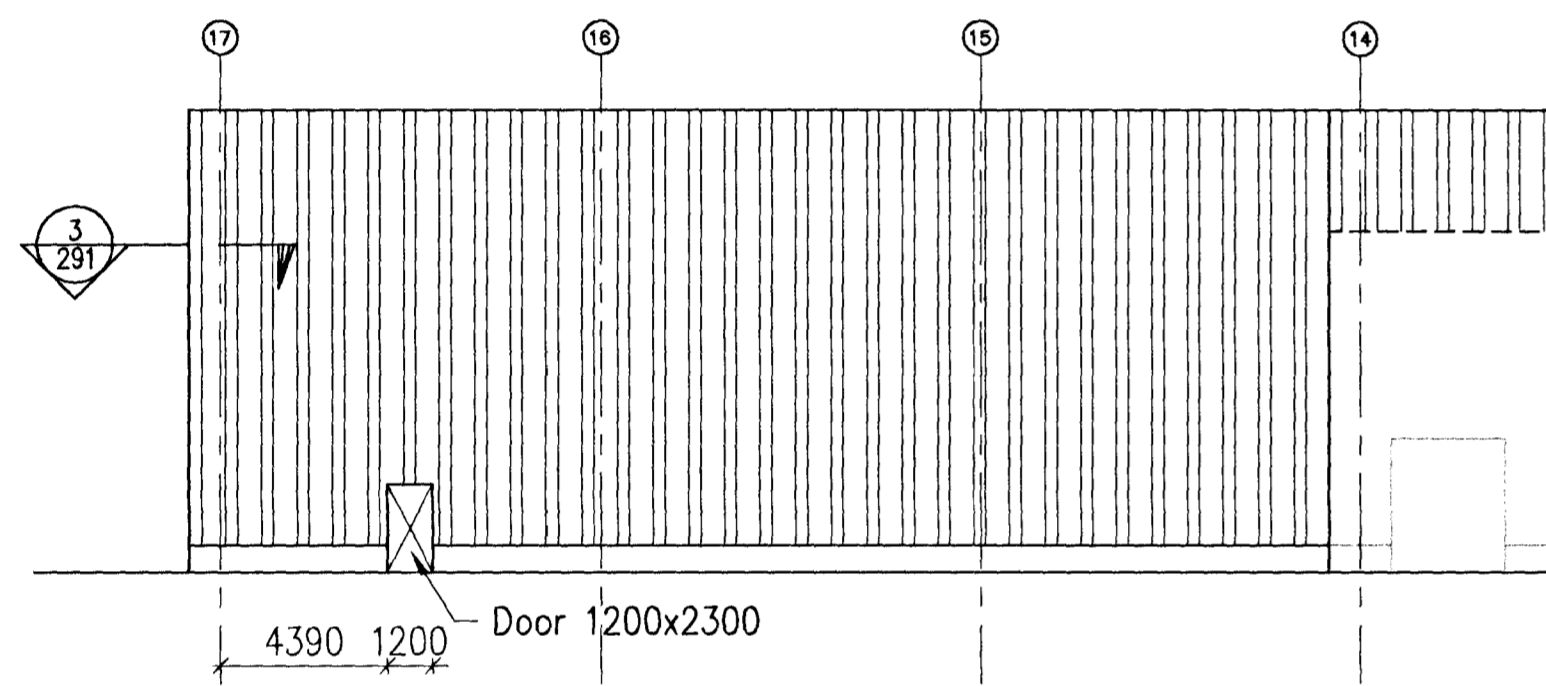
Samþykkt bann
20 JAN 2011
Byggingafultrúinn / Hafnarfróð
F.h. Hrólfur S. Gunnlaugsson

Niðri Indriðason
NI

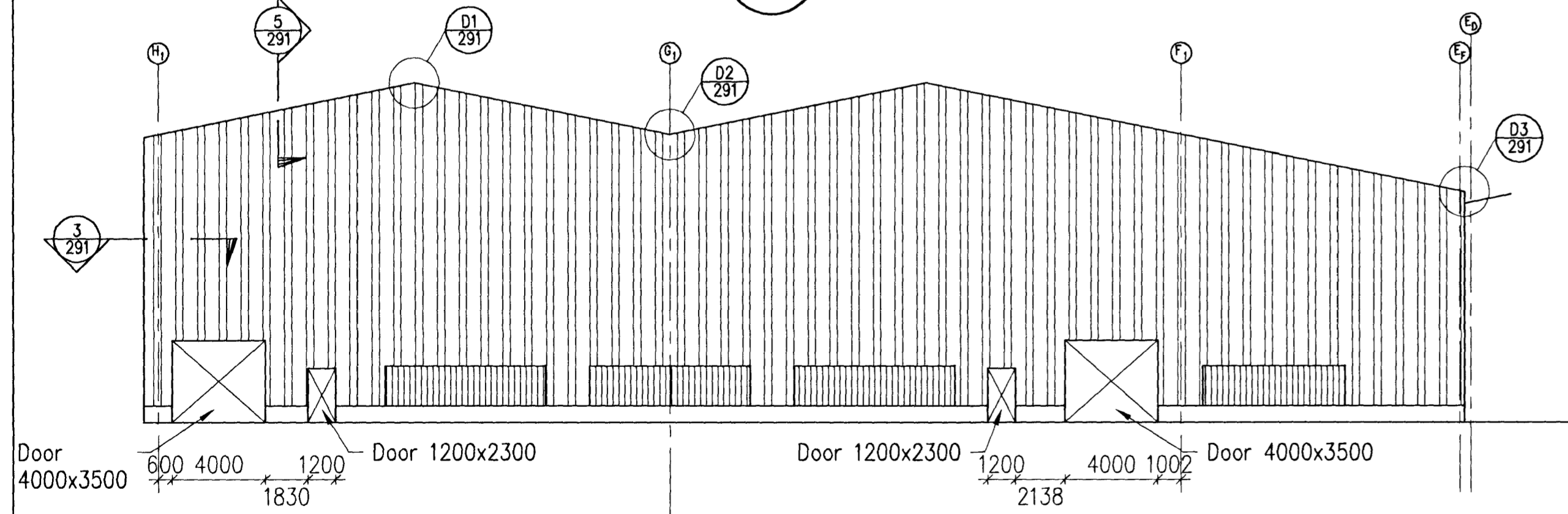
S1
201 NORTH SIDE VIEW



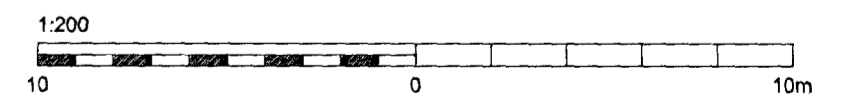
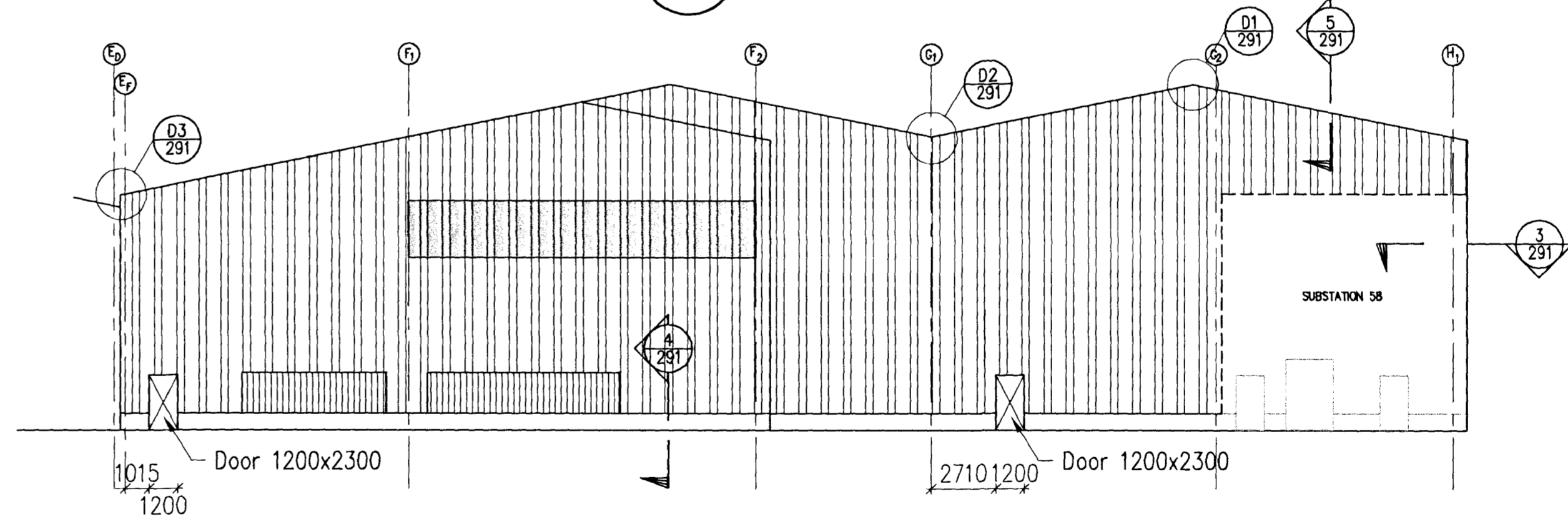
S5
201 NORTH SIDE VIEW



S2
201 WEST SIDE VIEW



S3
201 EAST SIDE VIEW



Skýringar:
Explanations:



This drawing is the property of the Rio Tinto Alcan Iceland Ltd. and handed out for personal use only. It may neither be copied nor made available to others without permission of the Rio Tinto Alcan Iceland Ltd. The receiver is liable for any misuse.

Fjöldi stúkkja Number of pieces	Hlutur Object	Atíðni Item	Efni Material	eo. stk Weight	total í heild (kg) bygging	Athugasemdir Remarks
IV III II I	ICC CASTHOUSE EXTENSION BUILDINGS BUILDING 2, CLADDING OUTSIDE VIEW				Starb Format A1 Mev. Scale 1:200	
	Verktaki / Supplier	HRV			Tekun. vertaki / Drawn of suppl. Breyt./Rev.	
	Teknað Drawn	HS/AFV	2010.11.01	Yfirfarið Checked	NI	ICC-611-ZA-518-290 C
	Teknað Drawn			Yfirfarið og skráð Checked and filed		ISAL Staður Alcan Iceland Ltd IS-222 Hafnarportur

2	Issued for construction	10.11.24	Kpp			
Breyt. Rev.	Breyting Revision	Dags. Date	Samþ. Approved	Nöf. heimt. Released		
Tilv. teikningar nr. ISAL Ref. drawing no. of ISAL		Samsetn. teikningar nr. ISAL Assembly drawing no. of ISAL				