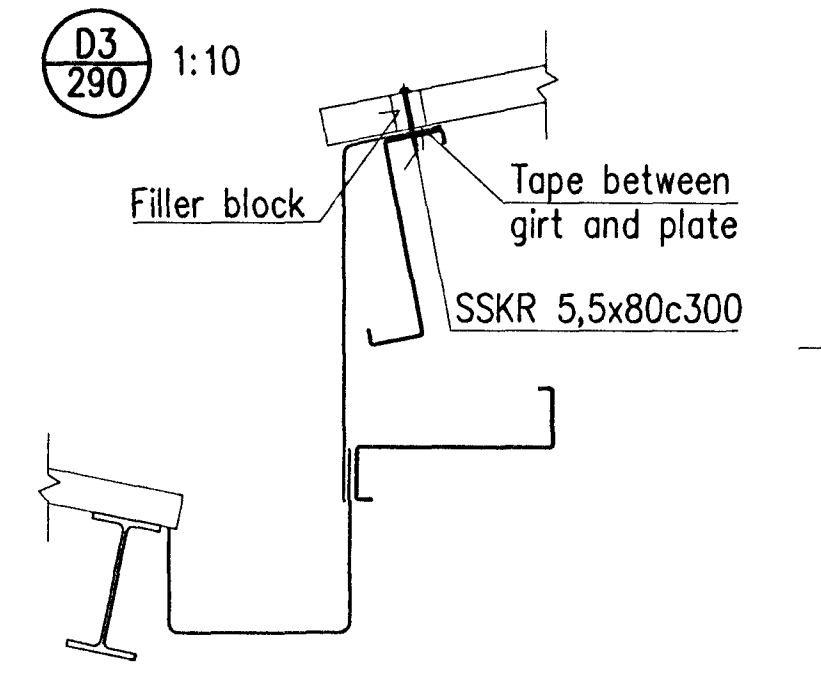
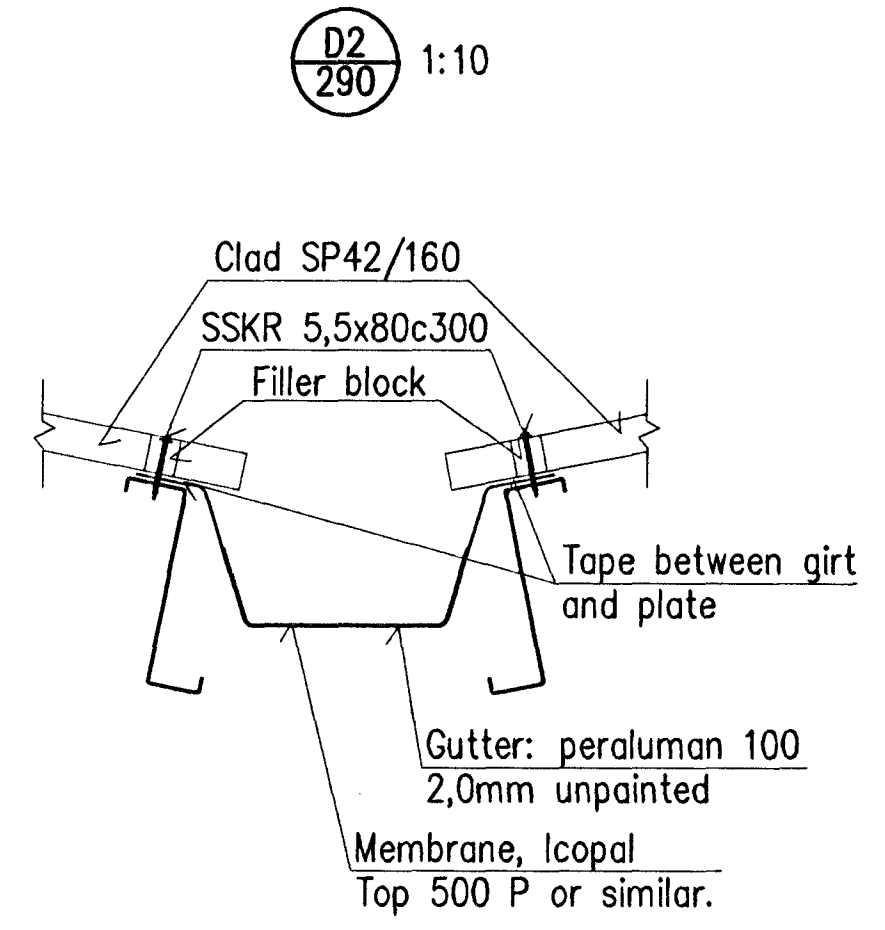
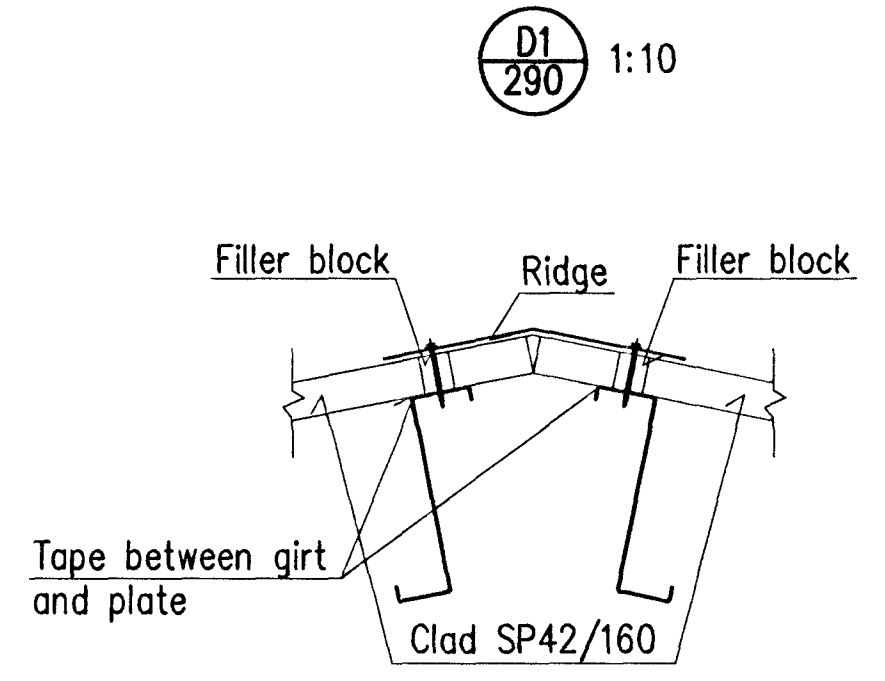
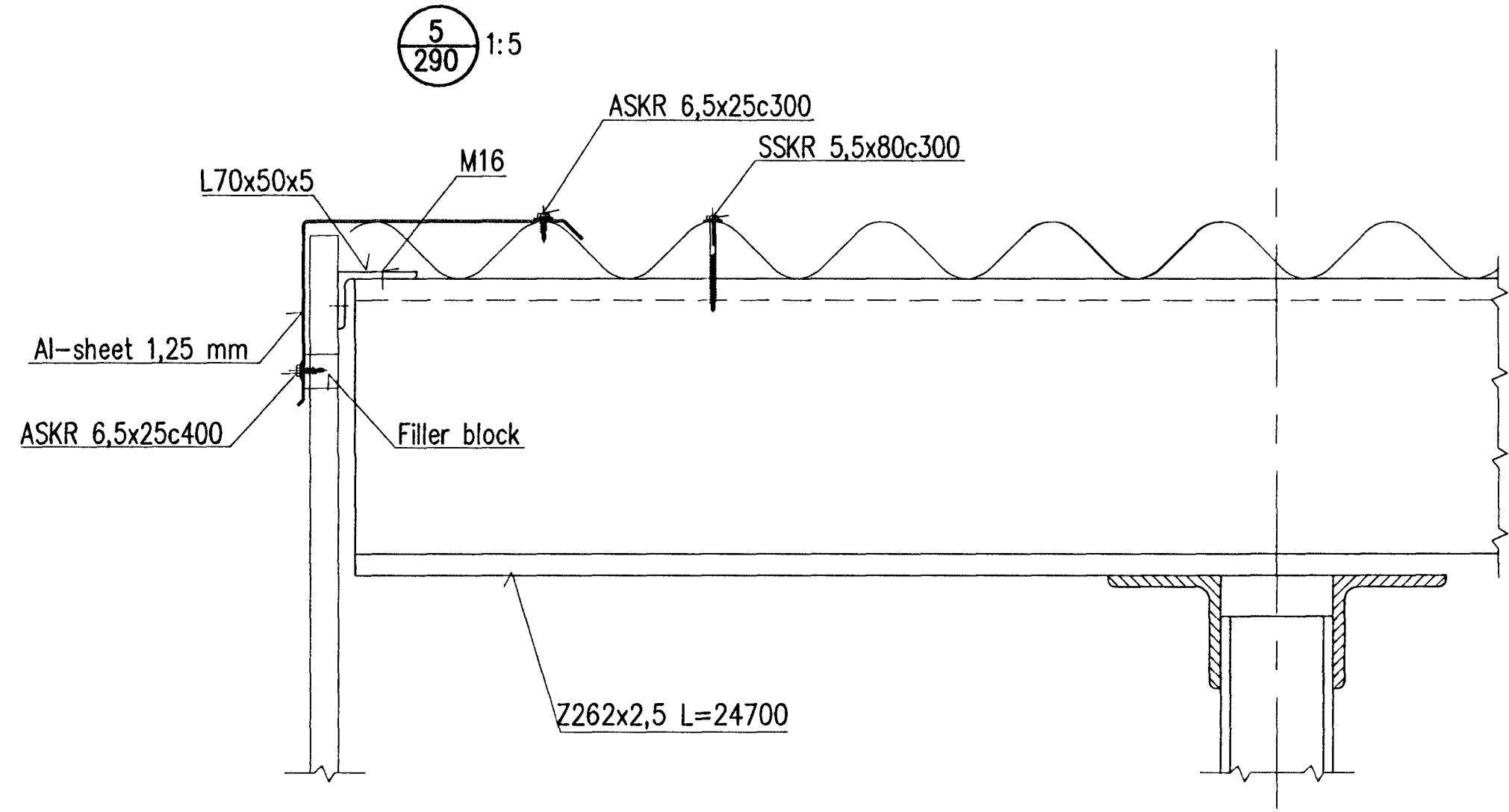
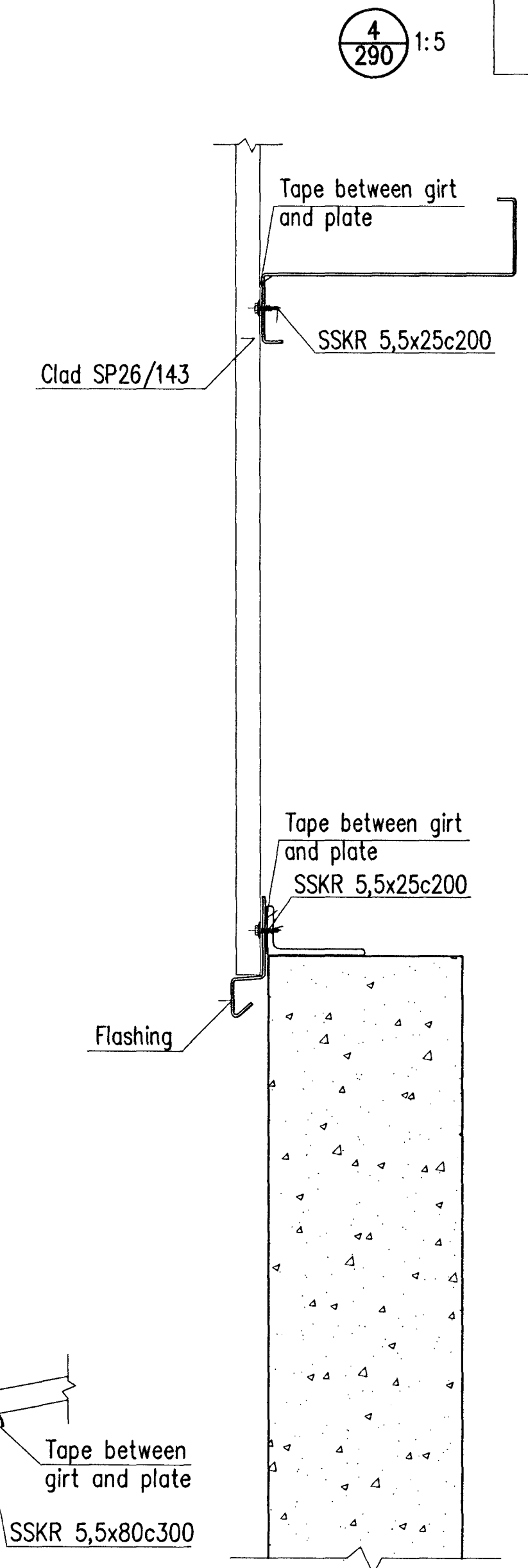
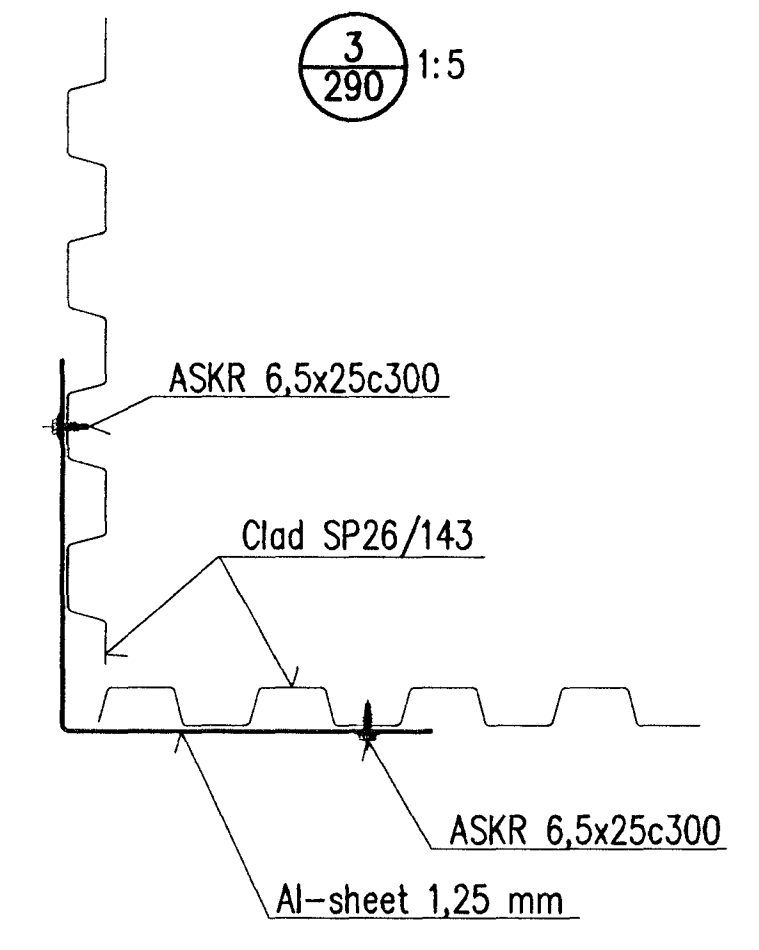
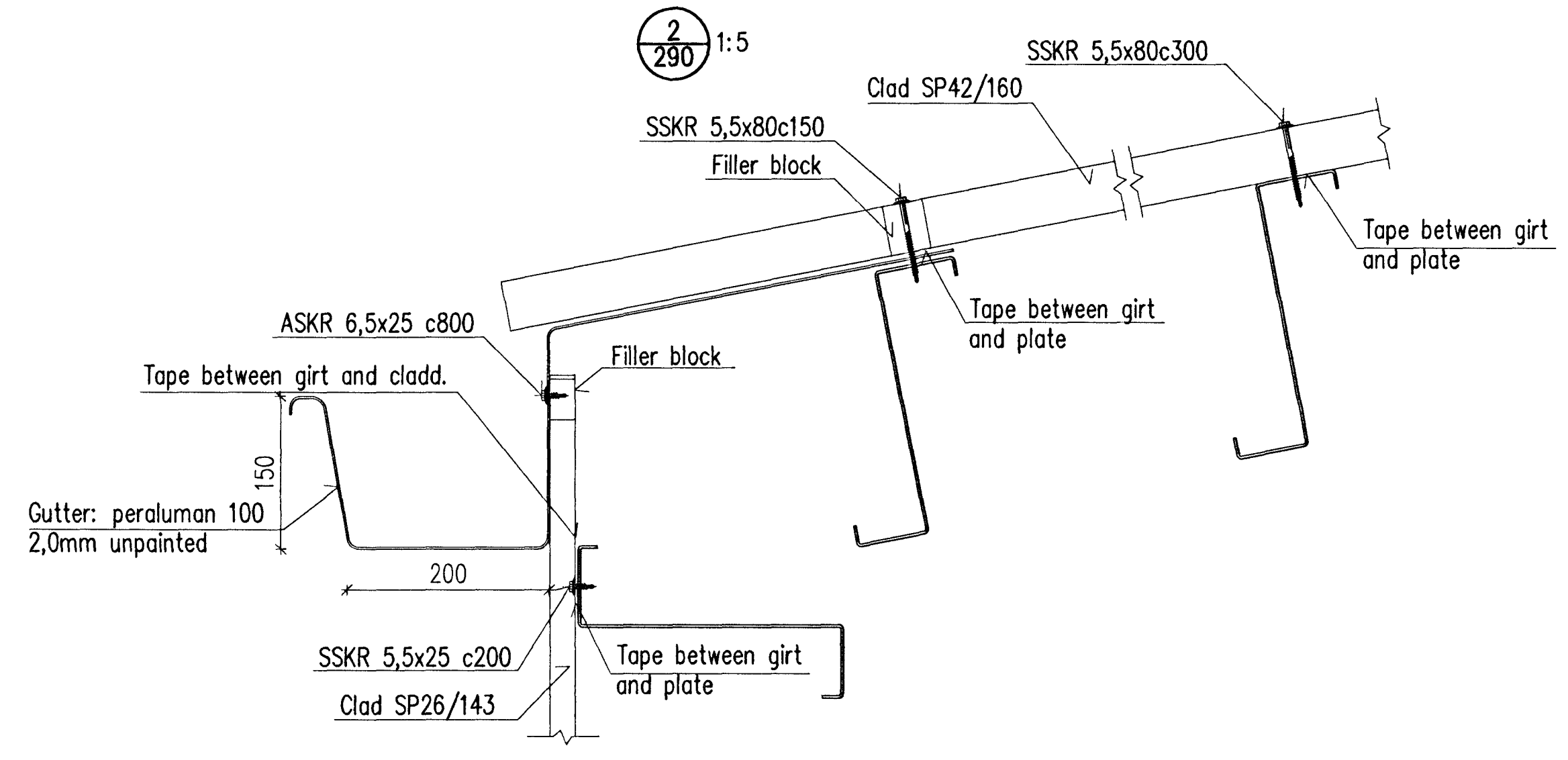
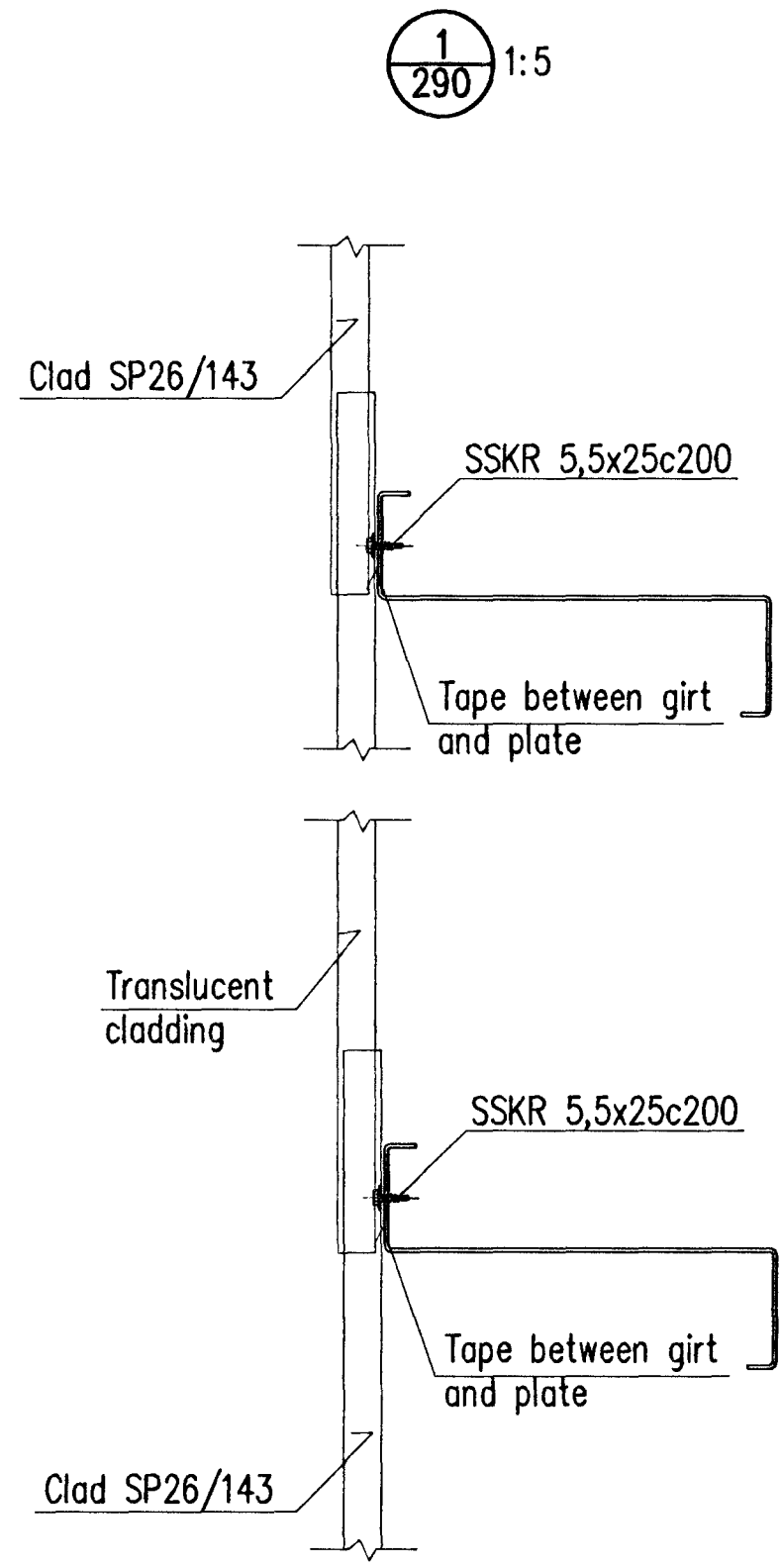


Samþykkt bann
20 JAN 2011
Byggingaútrúnn í Hafnarfirði
F.h. Hrólfur S. Gunnlaugsson

Nich Indúðsson
lvt



Skýringar:
Explanations:



This drawing is the property of the Rio Tinto Alcan Iceland Ltd. and handed out for personal use only. It may neither be copied nor made available to others without permission of the Rio Tinto Alcan Iceland Ltd. The receiver is liable for any misuse.

Fjöldi stykkja Number of pieces	Hlutur Object	Atrni Item	Efni Material	sg. stik (kg) byrgd	total í heild Scale	Althugsamerdir Remarks
IV III I I	ICC CASTHOUSE EXTENSION BUILDINGS BUILDING 2, CLADDING DETAILS AND SECTIONS				A1 1:5/10	
	HRV				ICC-611-ZA-518-291	C
	HS/AFV 2010.11.01	Yfirfarið Checked	NI		Samþykkt Approved	NI
					Drw.no. of ISAL / Tekn.nr. ISAL	Breyt./Rev.
					Drw.no. of ISAL / Tekn.nr. ISAL	Breyt./Rev.
					Drw.no. of ISAL / Tekn.nr. ISAL	Breyt./Rev.

Breyt. Rev.	Útg. Date	Samþ. Approved	Notk. heiml. Released
2	10.11.24	Kgp	