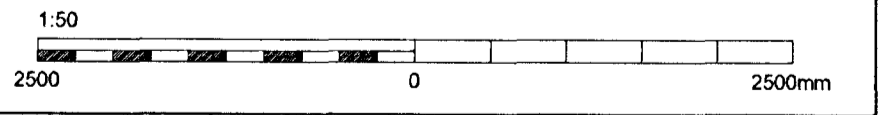
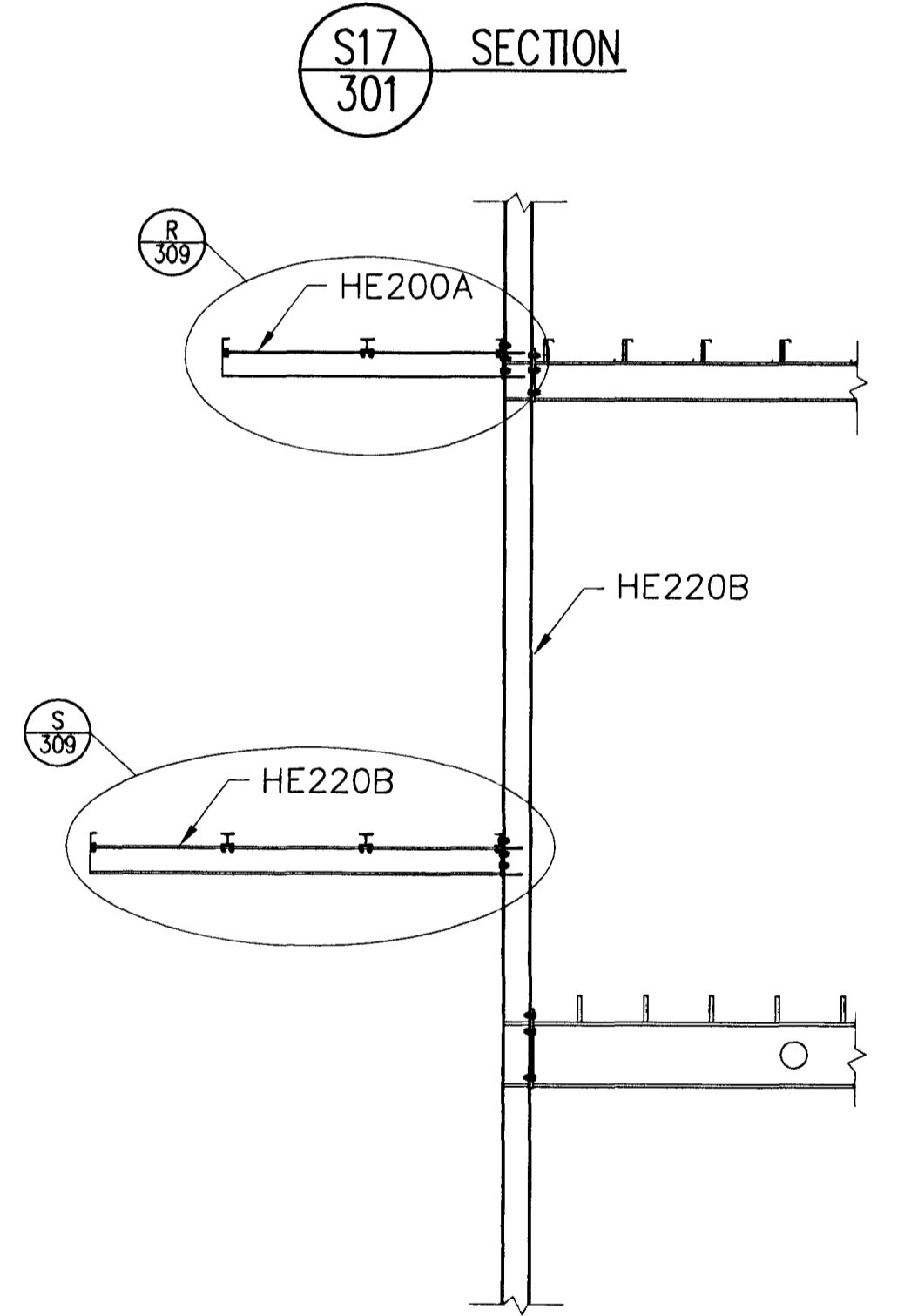
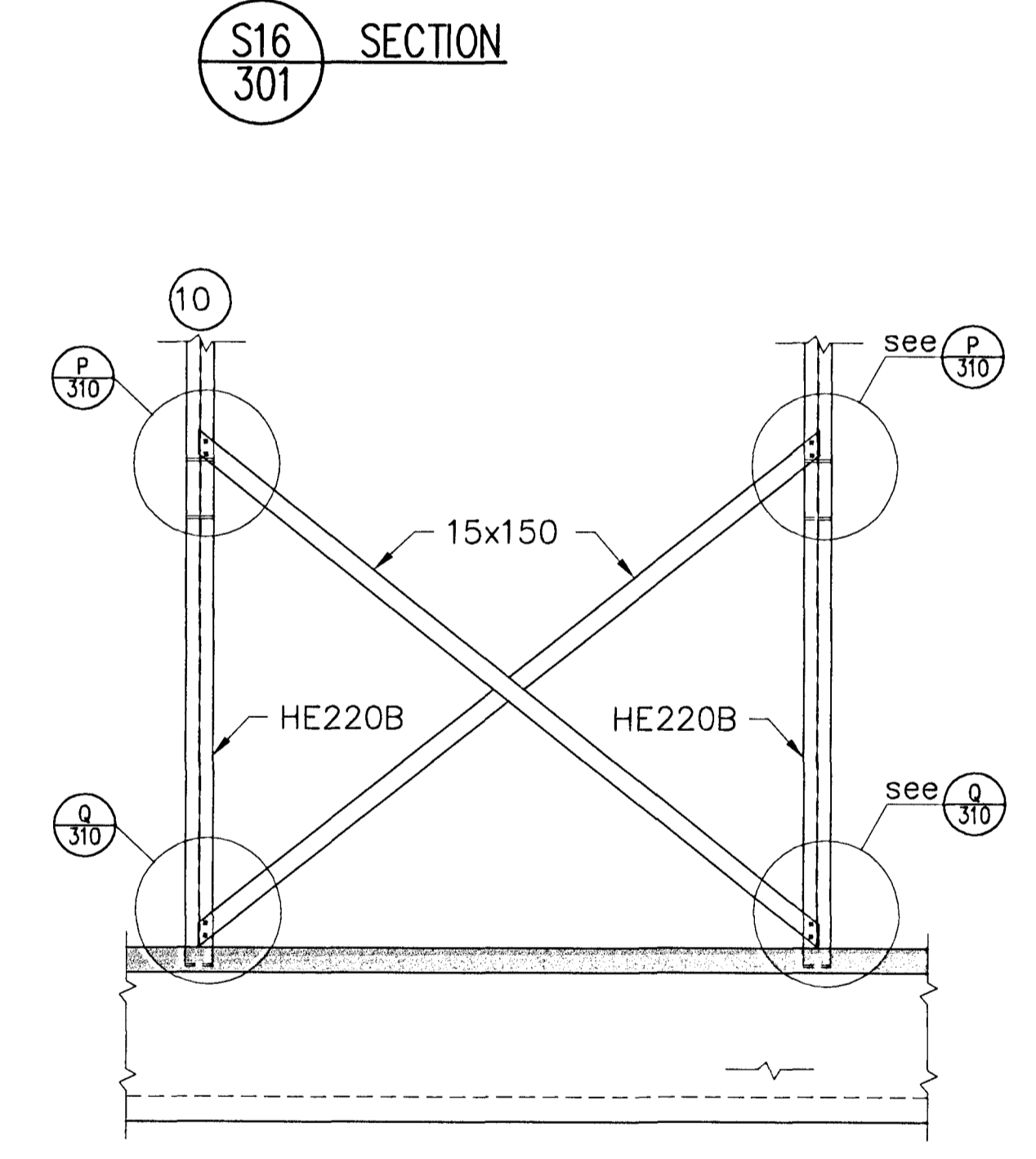
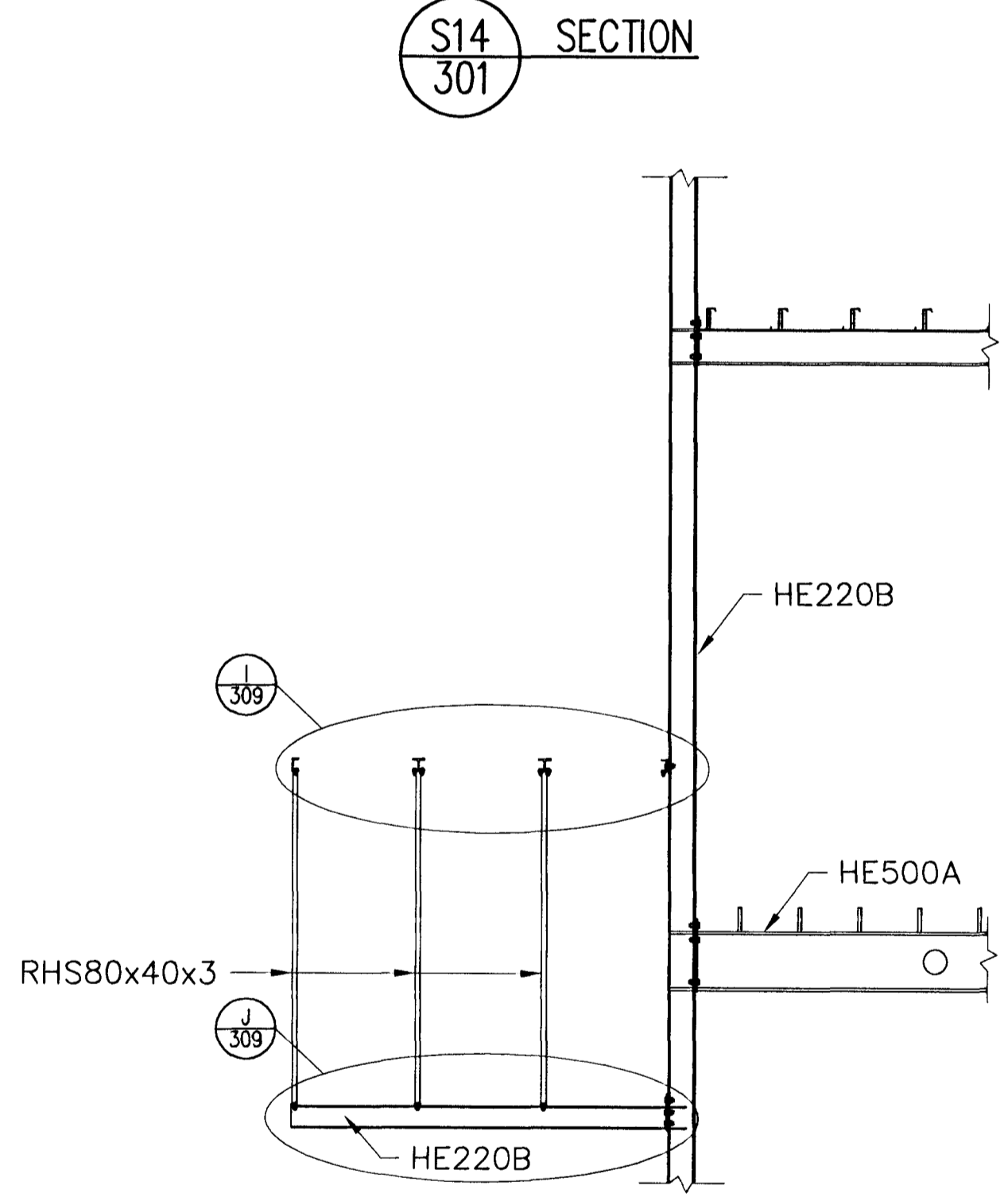
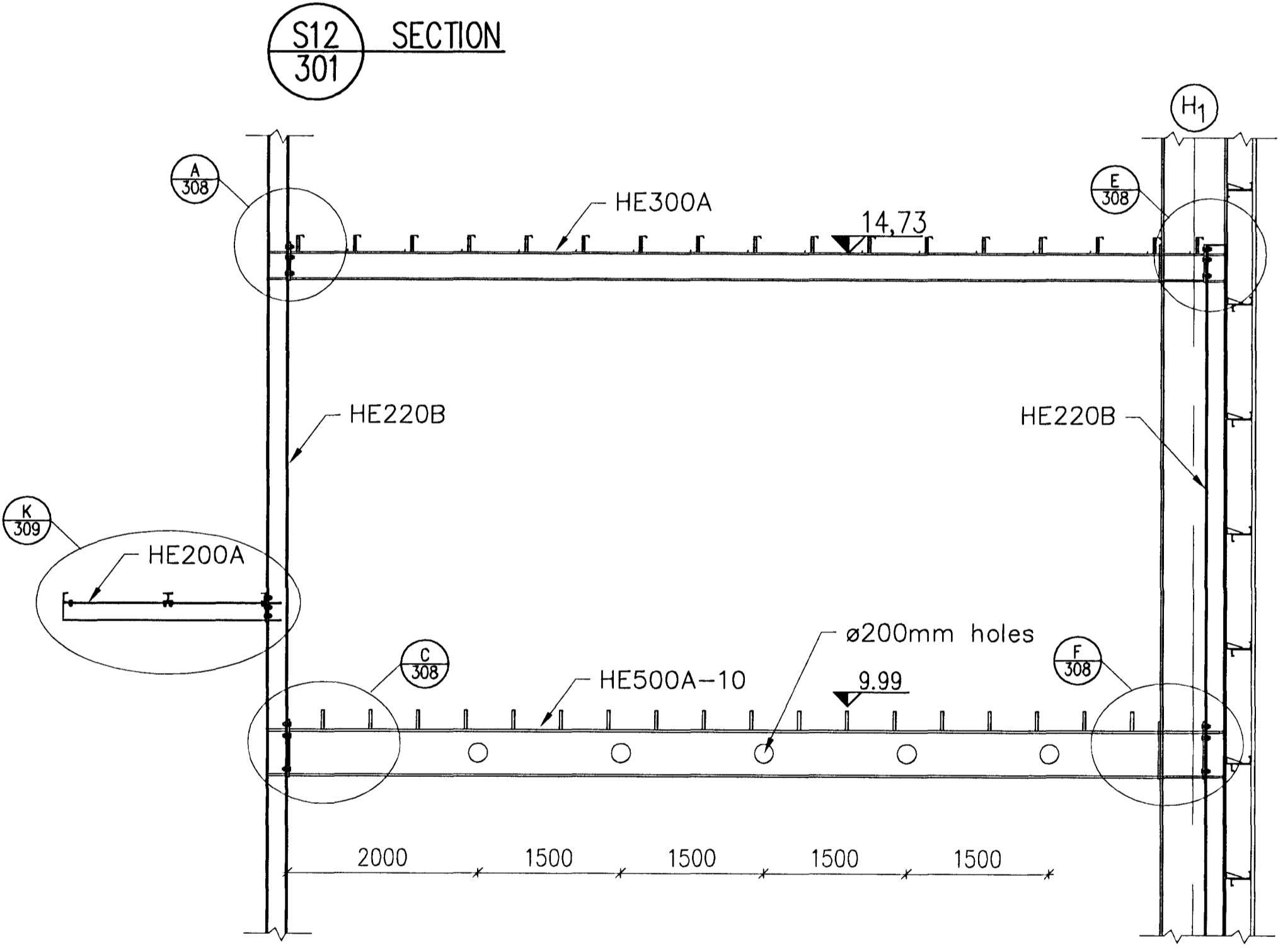
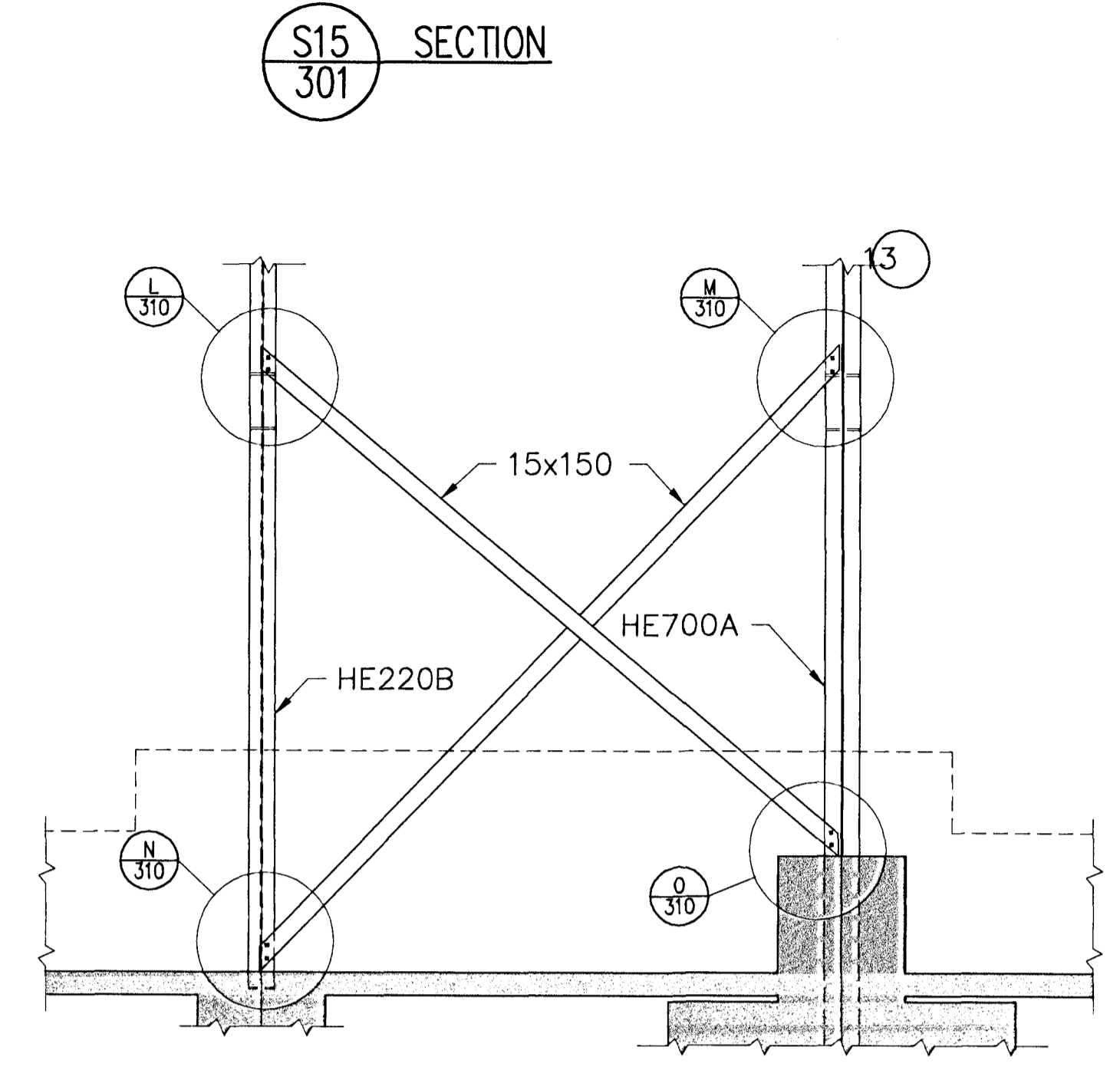
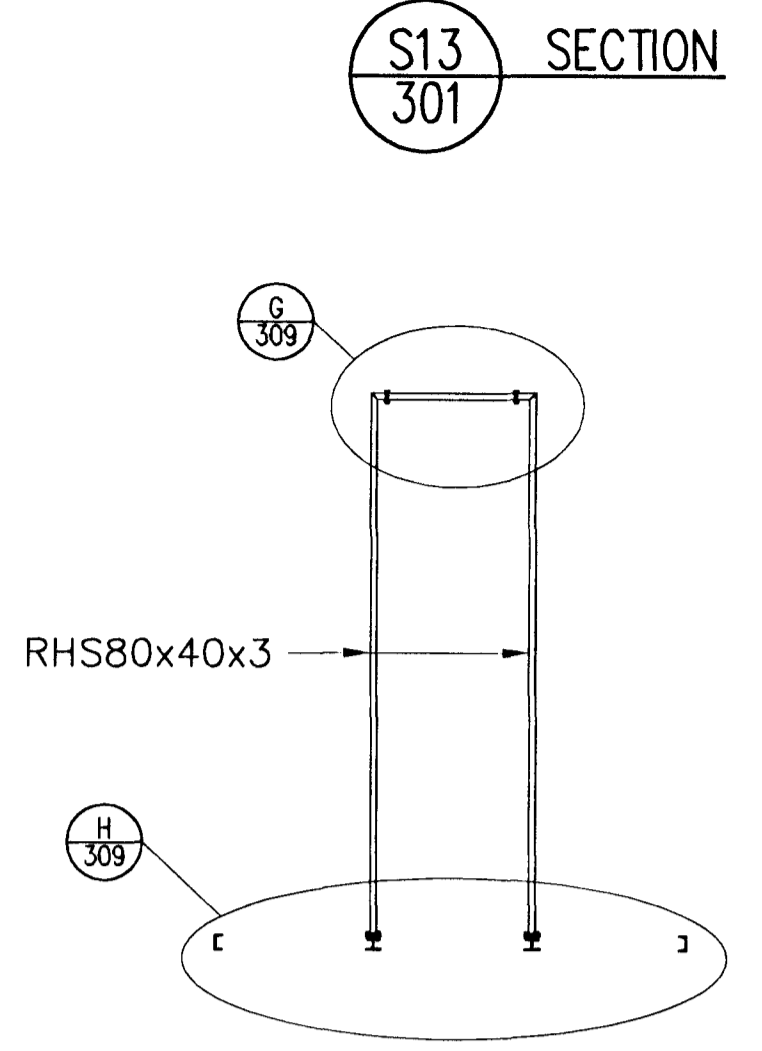
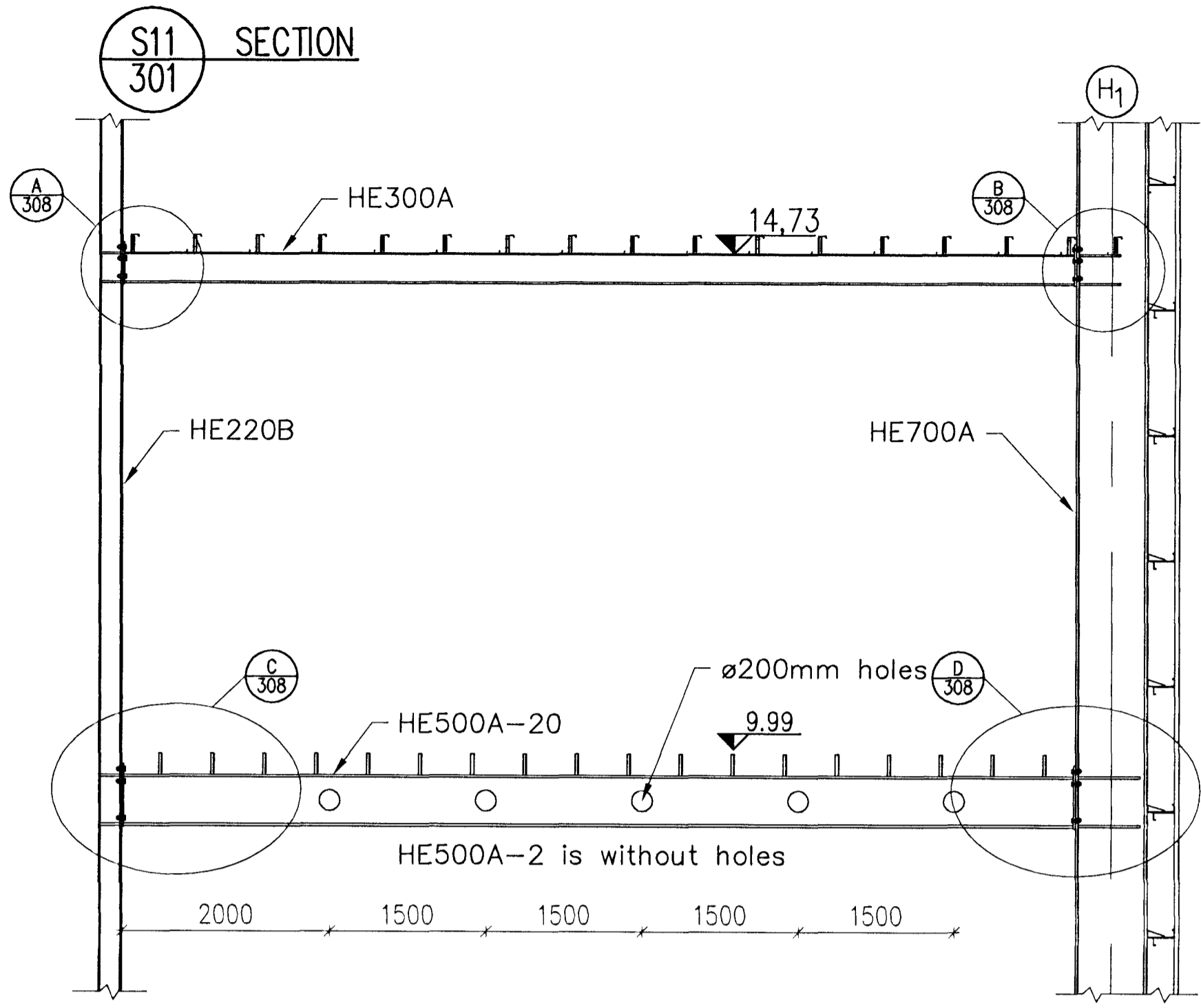


Samþykkt þann
20 JAN 2011
Byggingatútrúnn / Hafnarfrétt
F.A. Höftrúfur S. Gunnlaugsson

Níli Indriðsson
NI



Skýringar:
Explanations:



2	Issued for construction	10.11.24	Kgp		
Breyt. Rev.	Breyting Revision	Dags. Date	Samþ. Approved	Notk. heiml. Released	
T.v. teikningar nr. ISAL Ref. drawing no. of ISAL		Samsetn. teikningar nr. ISAL Assembly drawing no. of ISAL			

Fjöldi stykkja Number of pieces		Hlutur Object		Athugasemdir Remarks	
IV	III	II	I	ICC CASTHOUSE EXTENSION BUILDINGS SUBSTATION 58, STEEL STRUCTURE SECTIONS	Blátt Forma Scale 1:50
Vestari / Supplier		HVR		Kostnaður - tölur. / Cost - Eq. no.	
Teknað / Drawn		HjH/AFV 2010.11.01		Töknun. veita / Drawn of suppl. / Rev.	
Yfirfarið / Checked		NI		ICC-611-ZA-518-307 C	
Tiltekið / Drawn		ISAL		Sambykkt / Approved	
Tiltekið / Drawn		Yfirfarið og stíkt / Checked and tied		Notkun heiml. / Released	