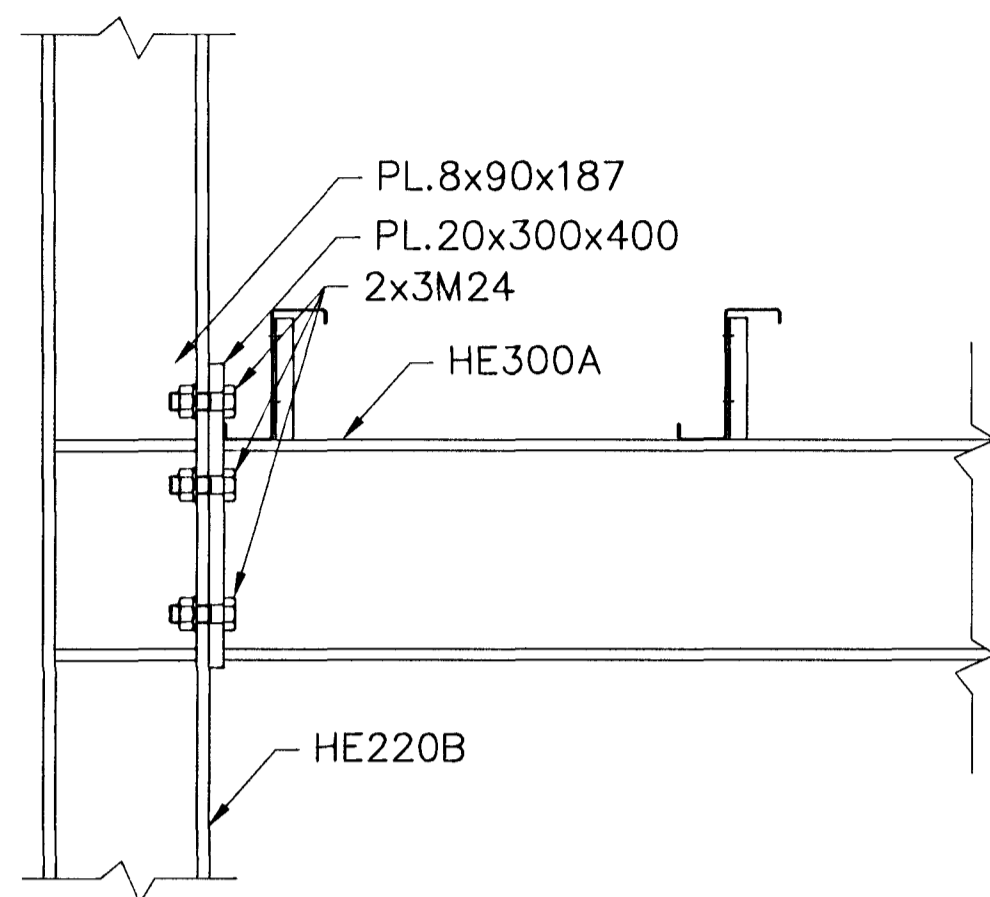


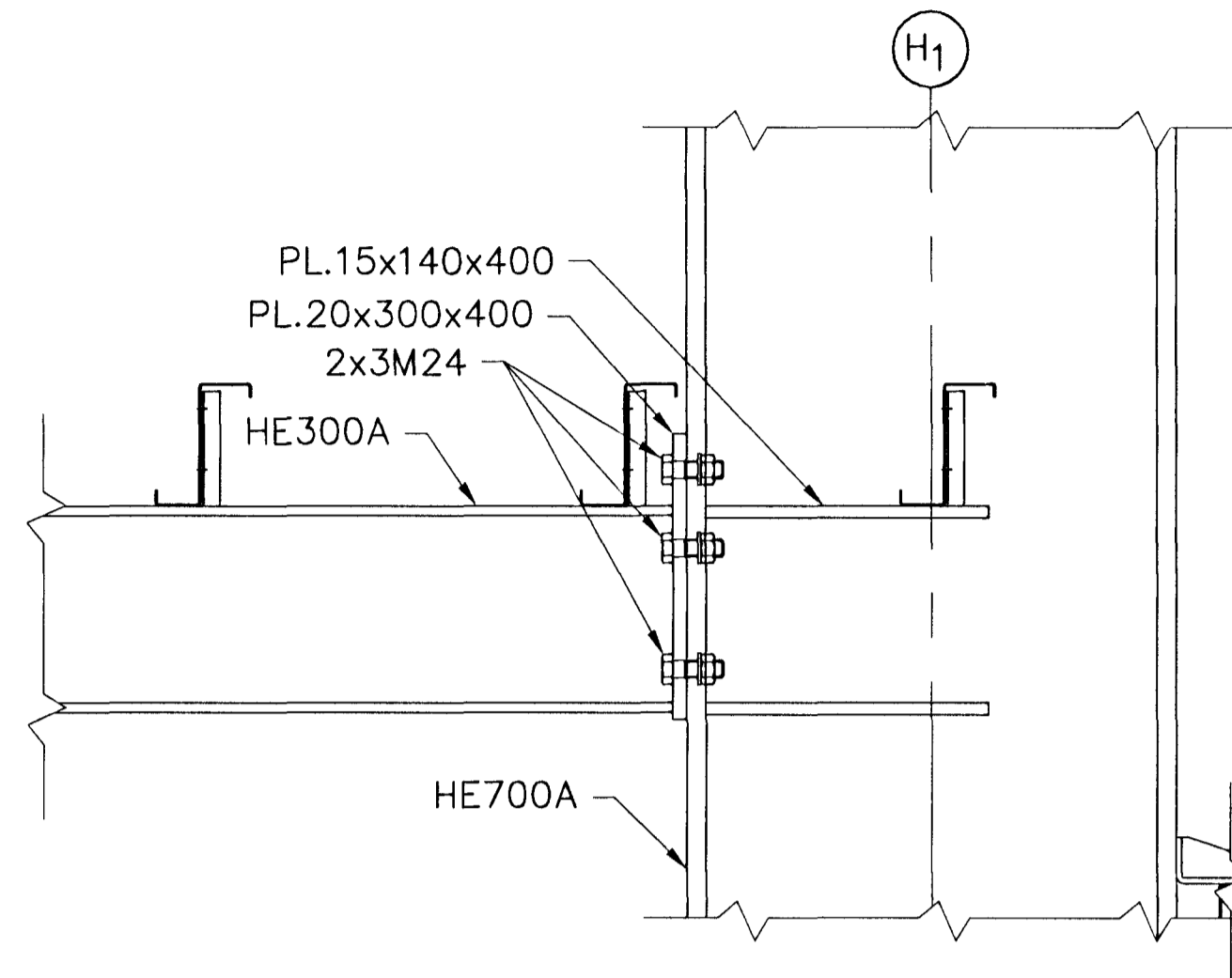
Samþykkt bann
20 JAN 2011
Bygginguáættunni í Hálfarfiði
F.H. Hrólfur S. Gunnlaugsson

Níels Indriðason
W1

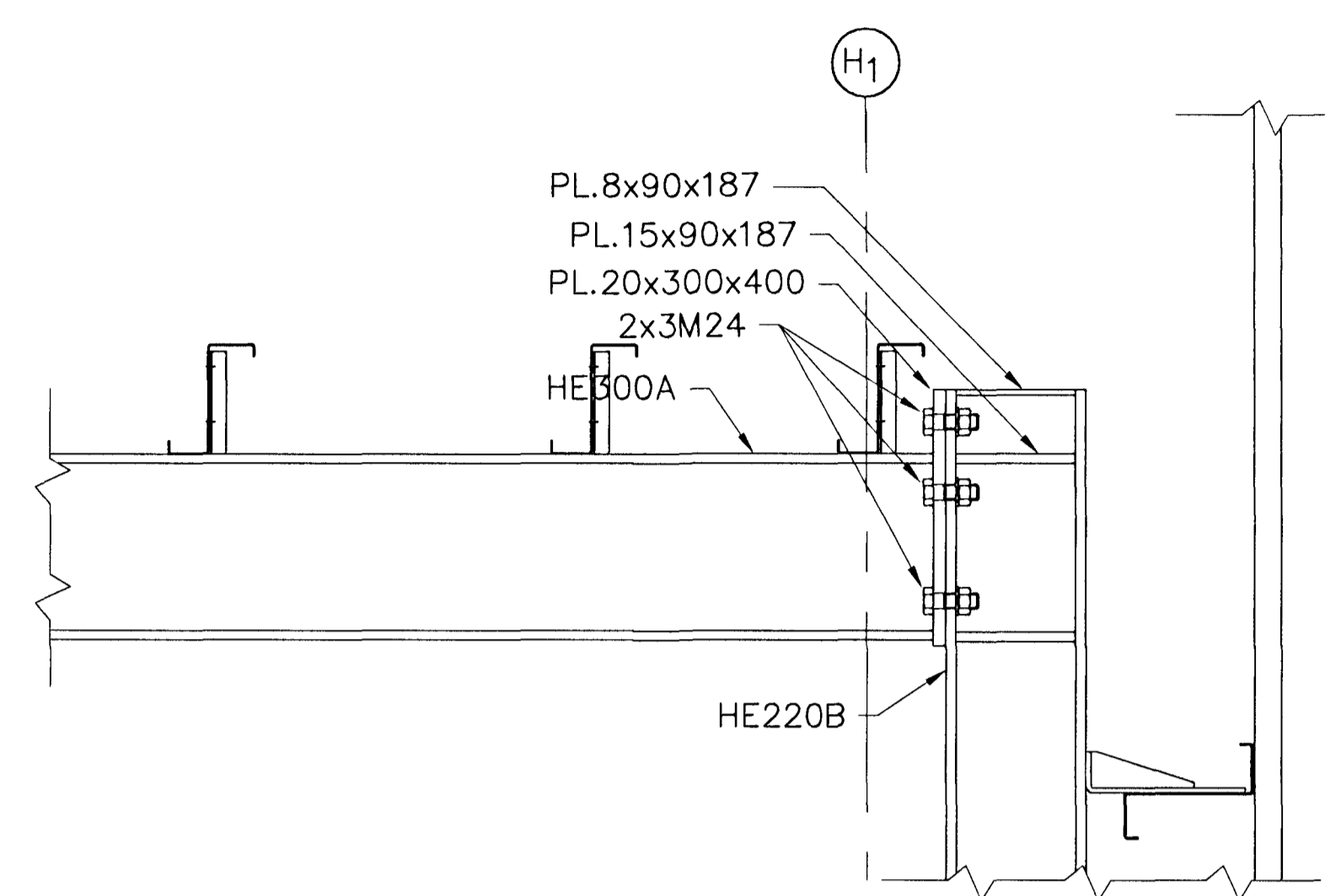
A DETAIL
307



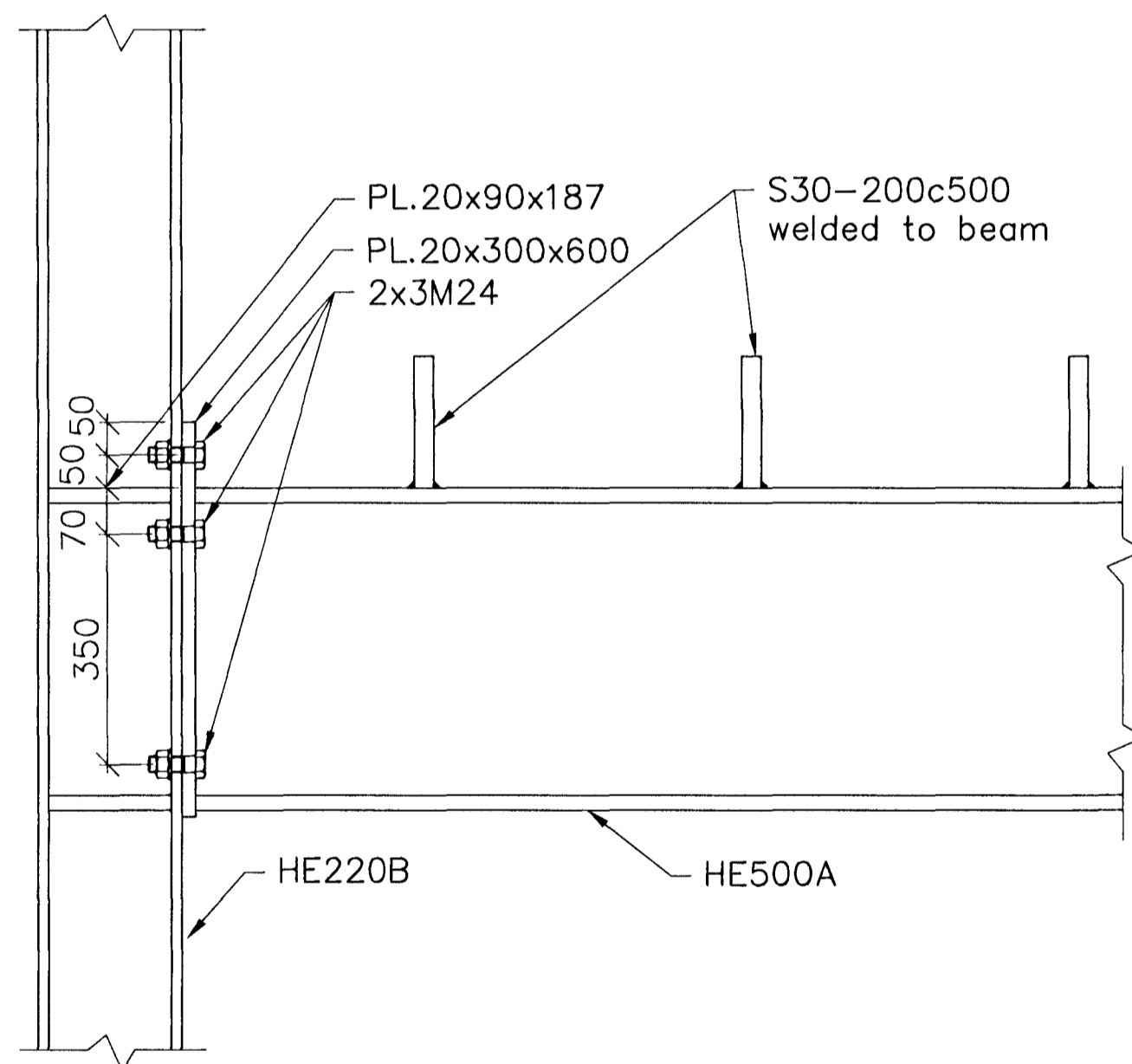
B DETAIL
307



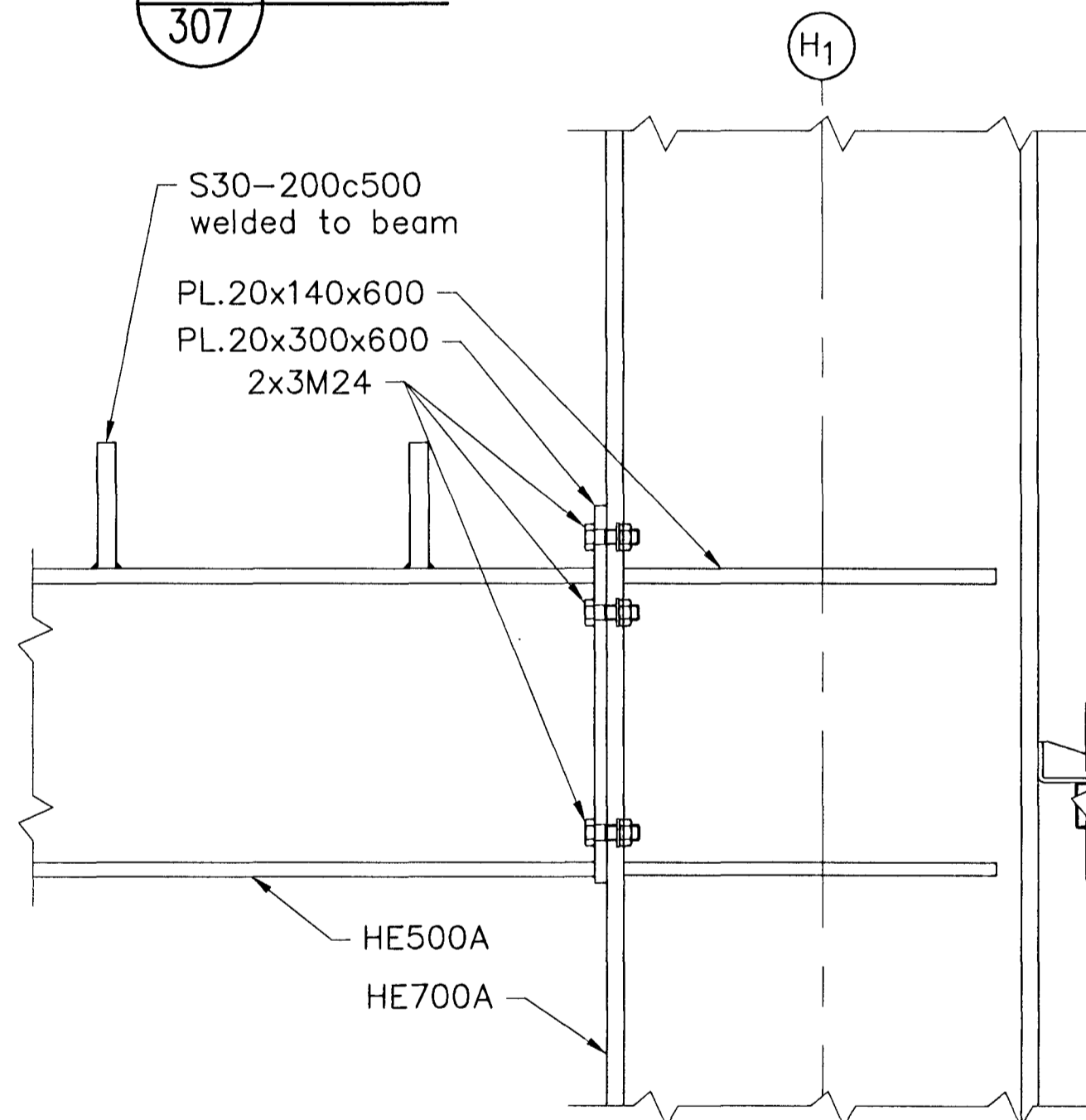
E DETAIL
307



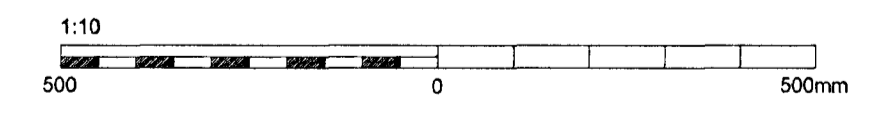
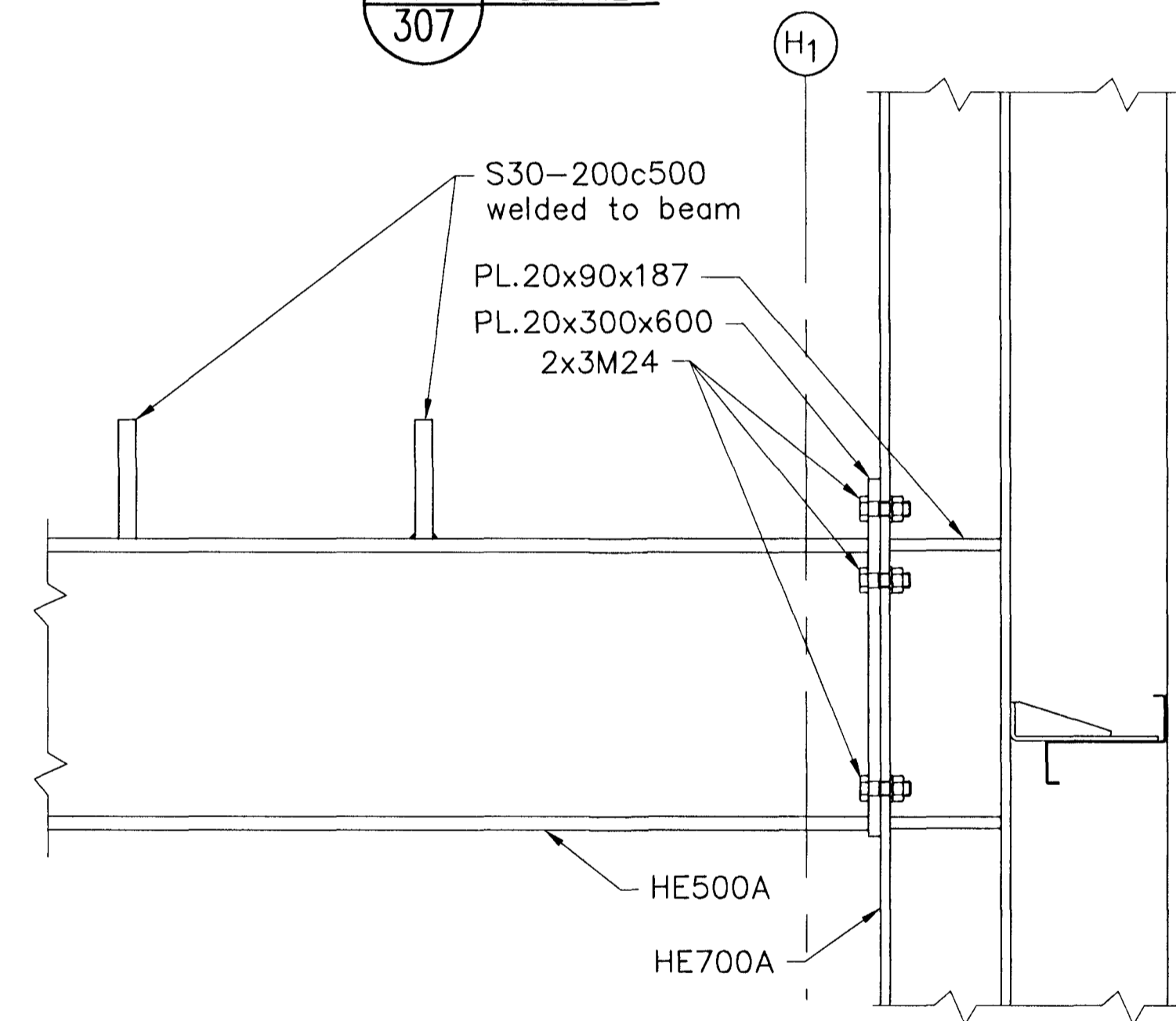
C DETAIL
307



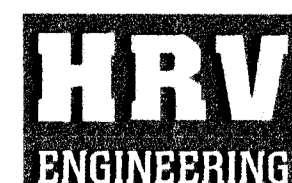
D DETAIL
307



F DETAIL
307



Skýringar:
Explanations:



This drawing is the property of the Rio Tinto Alcan Iceland Ltd and handed out for personal use only. It may neither be copied nor made available to others without permission of the Rio Tinto Alcan Iceland Ltd. The receiver is liable for any misuse.

Hlutur Object	Atrni Item	Efni Material	eo:stk Weight	total: f. heild bygd	Athugasemdir Remarks
ICC CASTHOUSE EXTENSION BUILDINGS SUBSTATION 58, STEEL STRUCTURE DETAILS					
Verktæ / Supplier	HRV				Tekn. vertika / Drawn of supp: HRV
Teknað Drawn	HJH/LDB	2010.11.01	Yfirfarð Checked	NI	Samþykkt Approved
RioTinto Alcan <small>Alcan Iceland Ltd IS-222 Hálfarfiður</small>					Tekn. nr. / ISAL / Tekn. nr. ISAL Drw. no. of ISAL / Tekn. nr. ISAL Nöfn heimild Released

Breyt. Rev.	Breyting Revision	Dags Date	Samþ. Approved	Nöfn heimild Released
2	Issued for construction	10.11.24	<i>J. K.</i>	