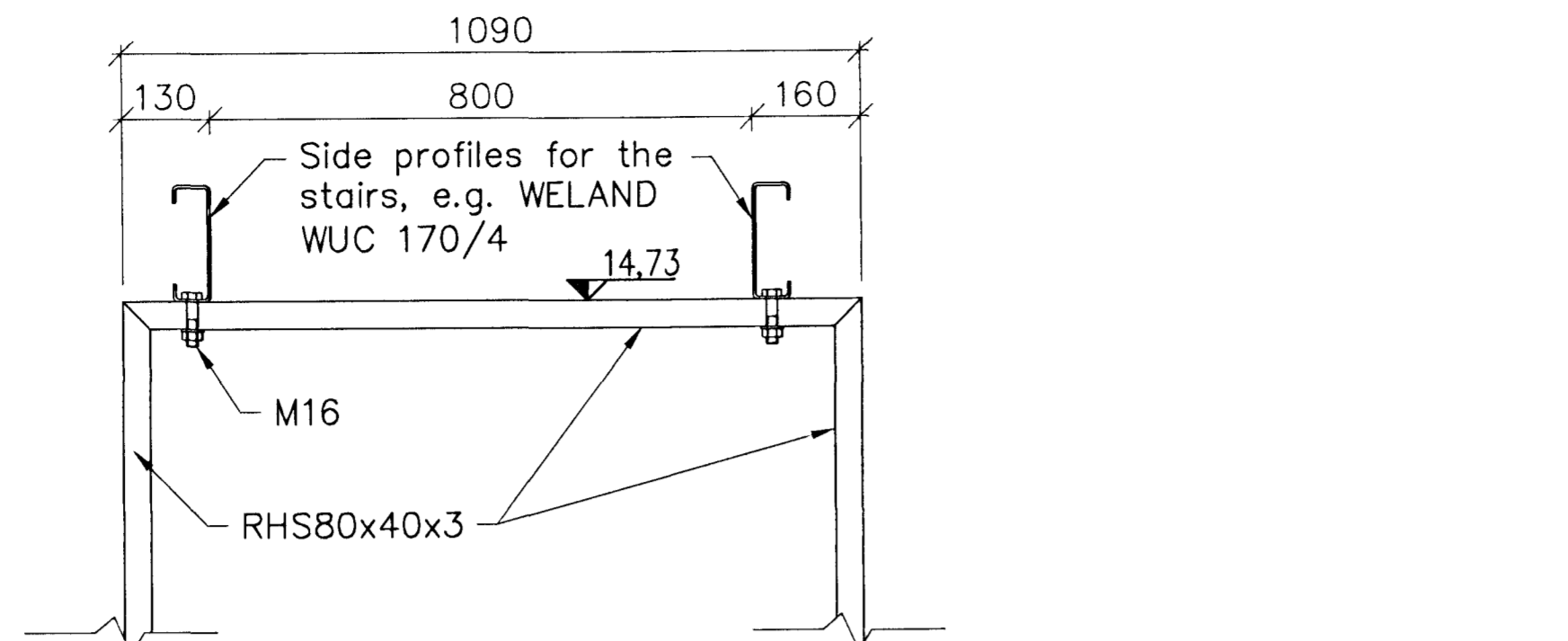


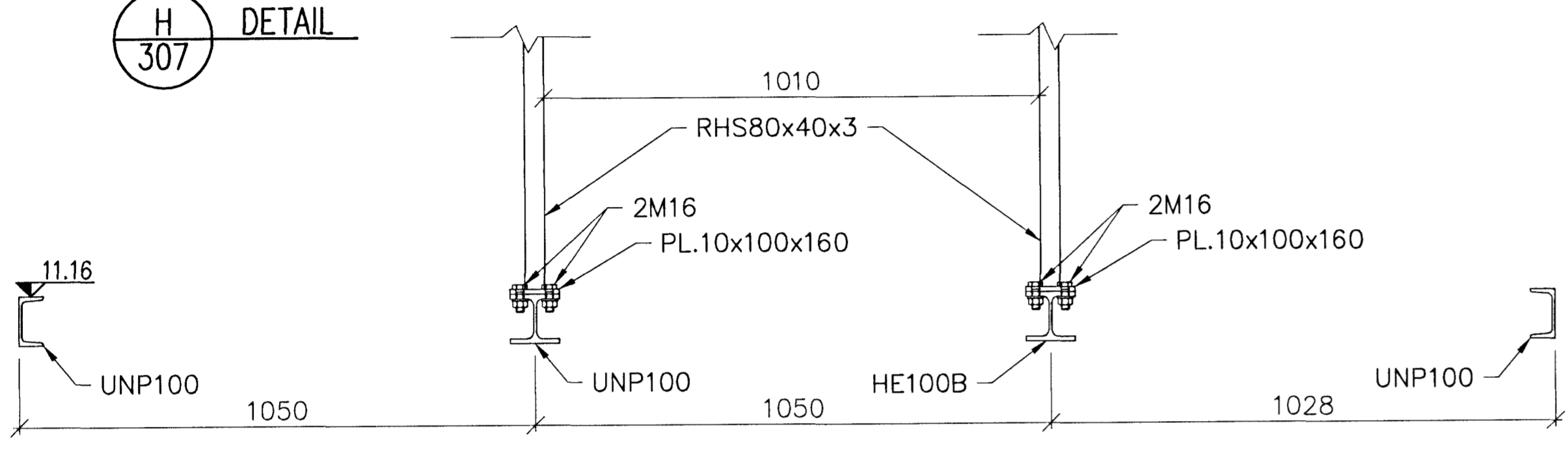
Samþykkt bann
20 JAN 2011
Bygginguviðvinnu í Hafnarfirði
F.n. Hrólfur S. Gunnlaugsson

Níels Indriðason
NI

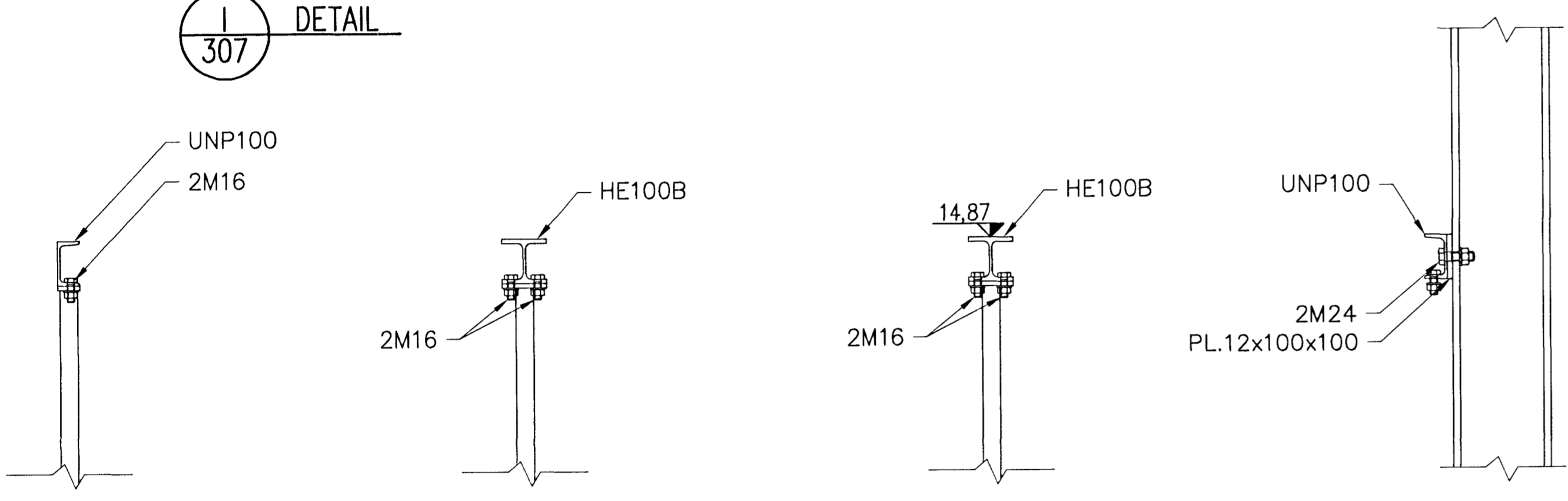
G DETAIL
307



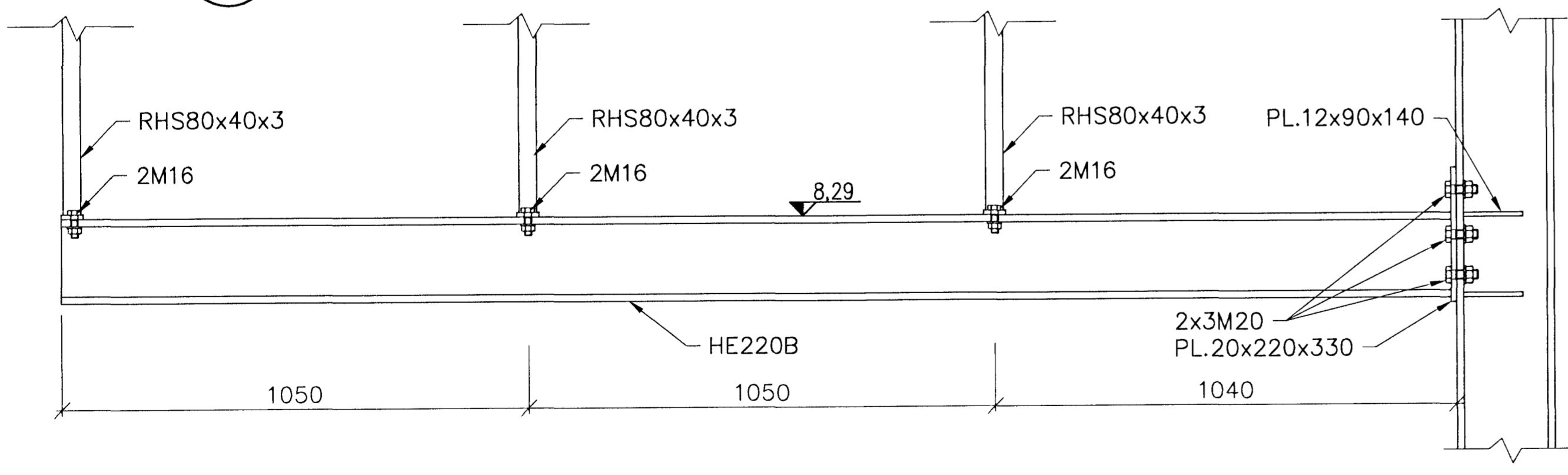
H DETAIL
307



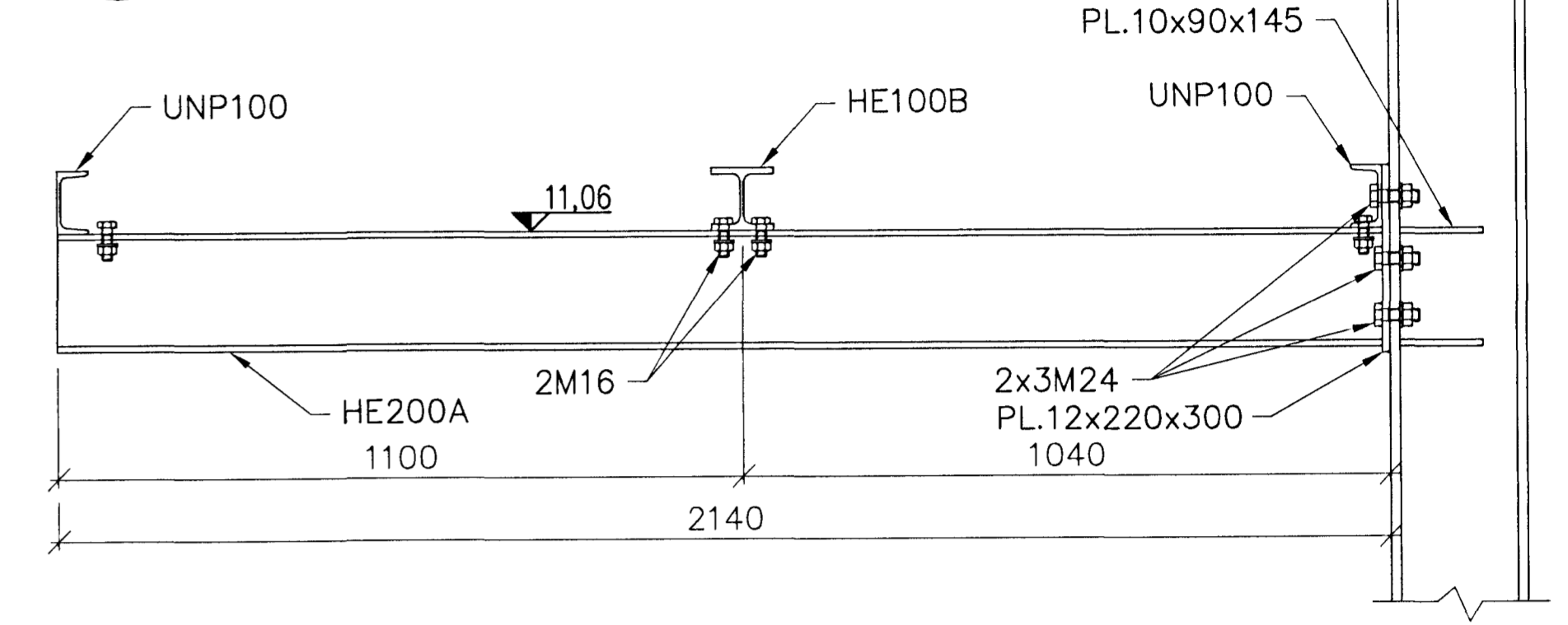
I DETAIL
307



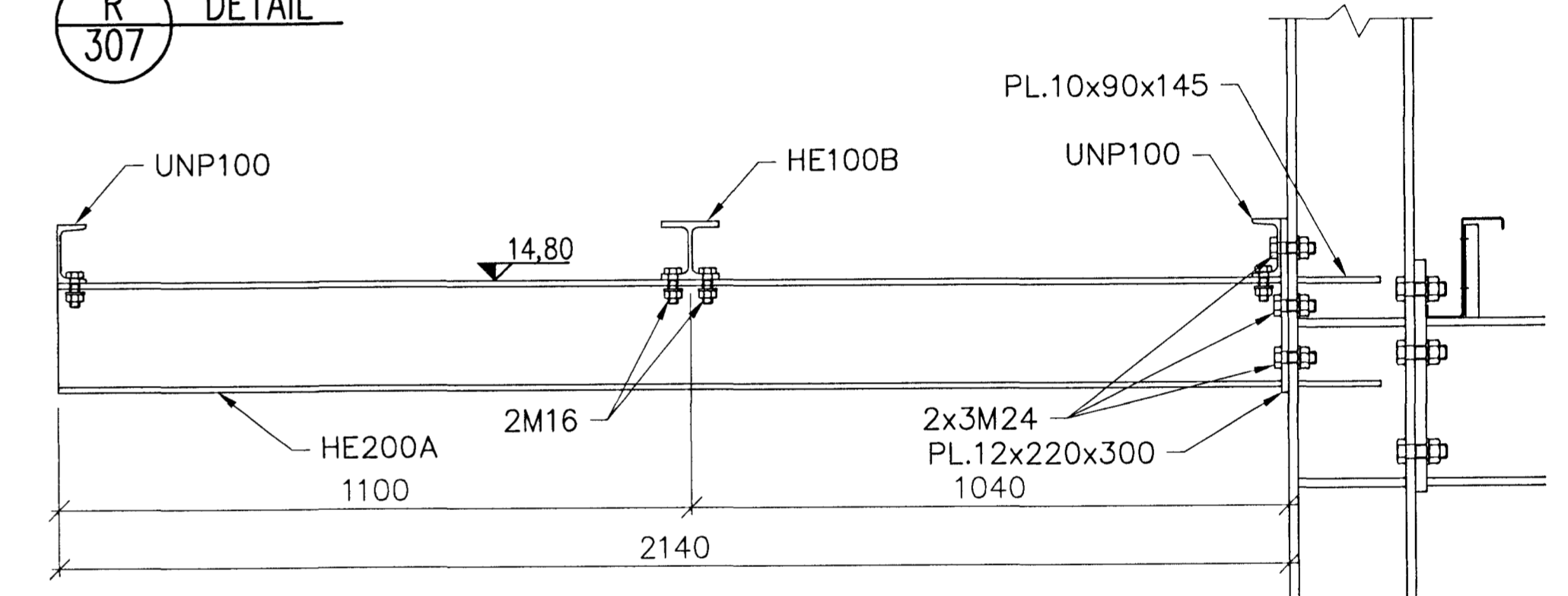
J DETAIL
307



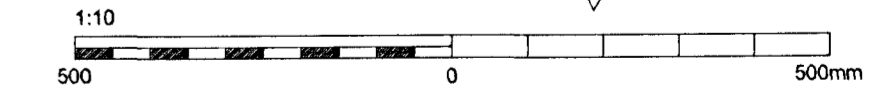
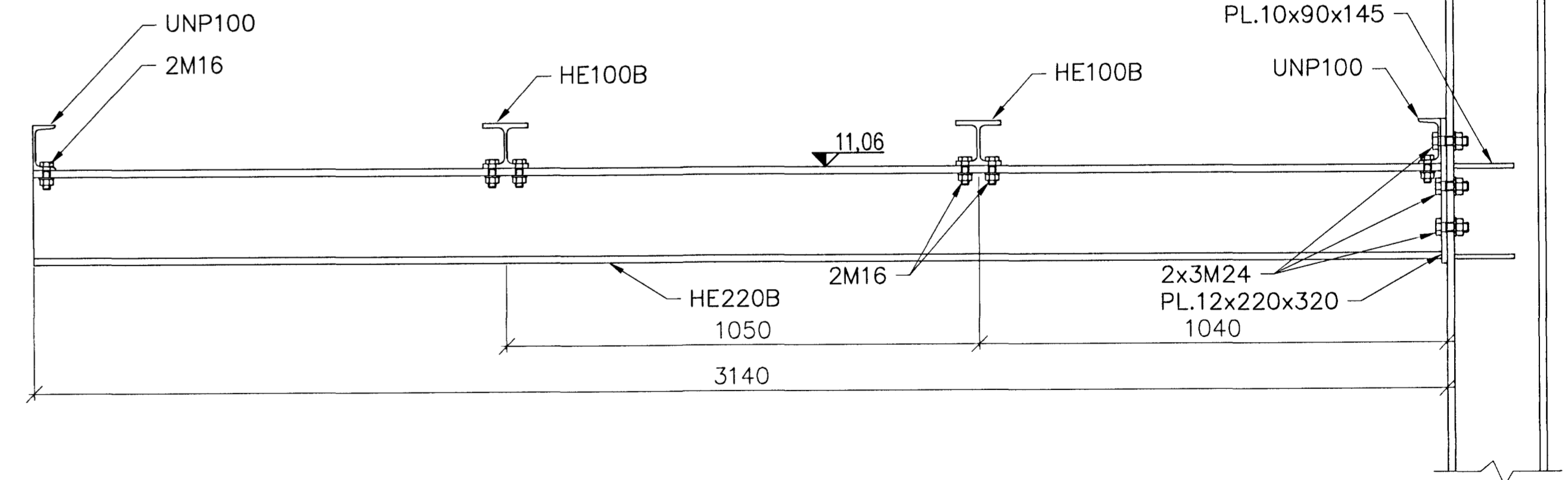
K DETAIL
307



R DETAIL
307



S DETAIL
307



Skýringar:
Explanations:



| | | | | | |
|-------------|-------------------------|------------|----------------|-----------------------|--|
| 2 | Issued for construction | 10.11.24 | HRV | | |
| Breyt. Rev. | Breyting Revision | Dagur Date | Samþ. Approved | Netk. heiml. Released | |

This drawing is the property of the Rio Tinto Alcan Iceland Ltd. and handed out for personal use only. It may neither be copied nor made available to others without permission of the Rio Tinto Alcan Iceland Ltd. The receiver is liable for any misuse.

| | | | | | | | | | | | | | |
|--|-----|-----------------|---|--------------|--|-----------------|--|-----------------------|--|--------------|--|--|--|
| Fjöldi stykka / Number of pieces | | Hlutur / Object | | Atrið / Item | | Efni / Material | | Eg. st. / Weight (kg) | | Mörk / Scale | | Athugasemdir / Remarks | |
| IV | III | II | I | | | | | | | | | | |
| ICC CASTHOUSE EXTENSION BUILDINGS SUBSTATION 58, STEEL STRUCTURE DETAILS | | | | | | | | | | | | Starb. Form. A1 Mkv. Scale 1:10 Kostnaður - Gáttur / Cost - Eqm. | |
| Tekni / Drawn: HJH/LDB 2010.11.01 Tífrá / Checked: NI Tífrá / Checked: NI | | | | | | | | | | | | Tekni / Drawn: HRV Tífrá / Checked: NI Tífrá / Checked: NI | |
| Rio Tinto Alcan | | | | | | | | | | | | ISAL Dr. no. of ISAL / Tekni. ISAL / Breyt. / Rev. | |