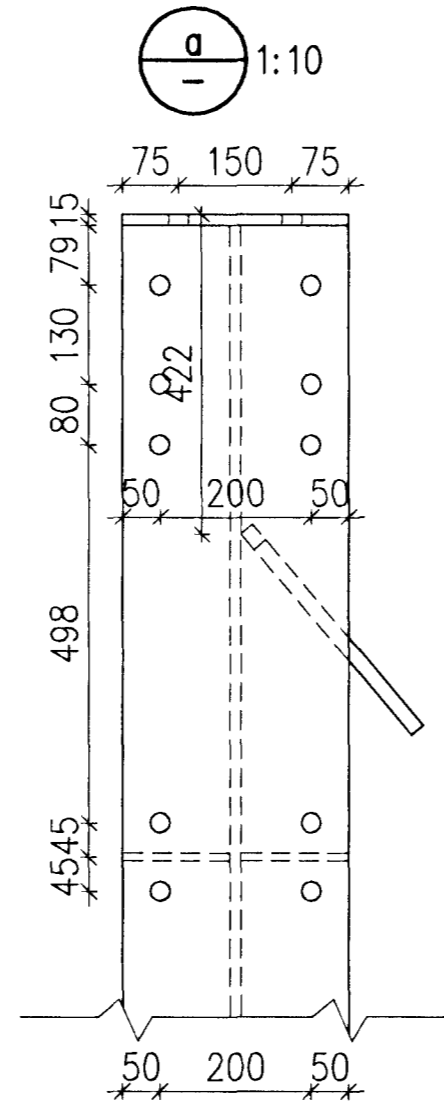
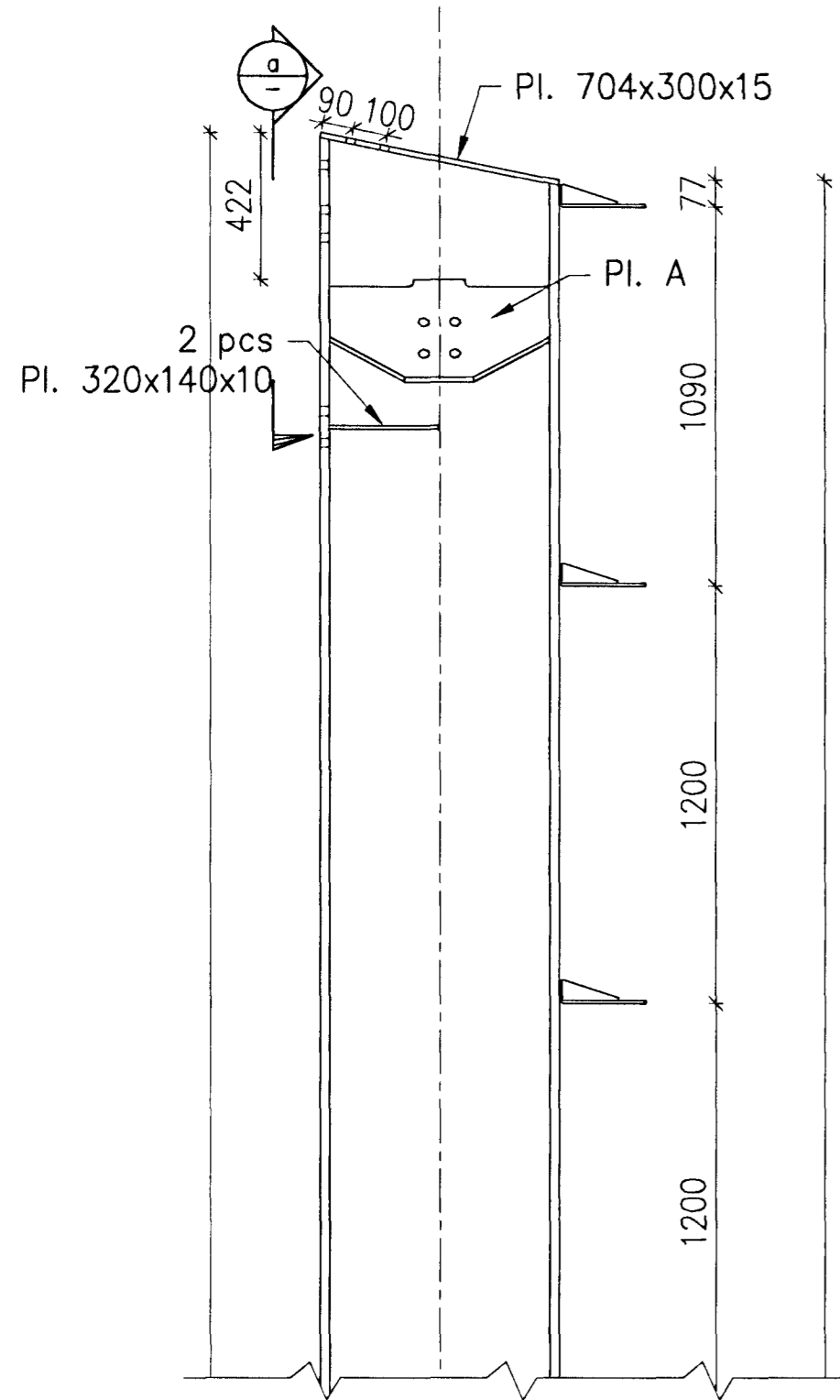
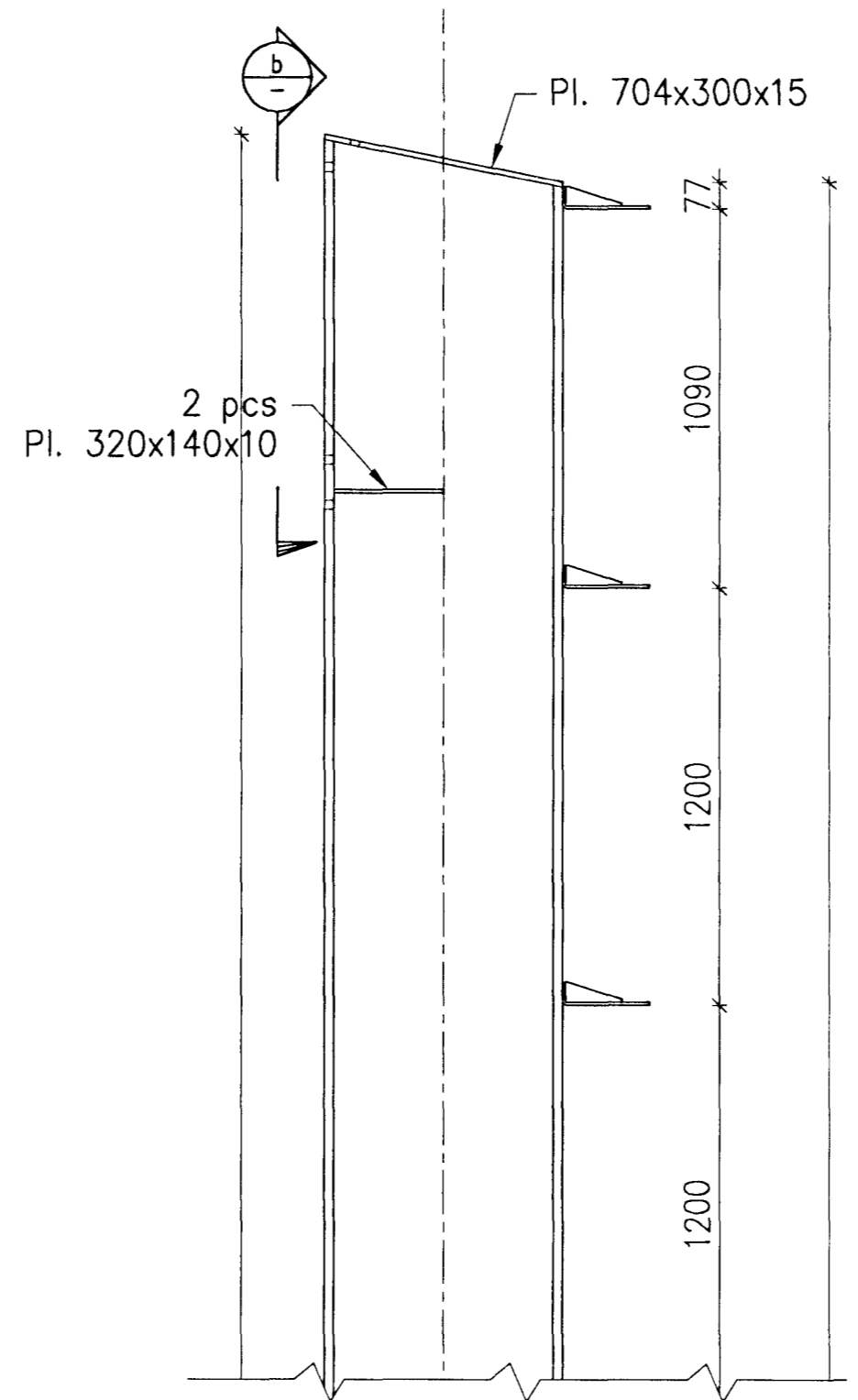


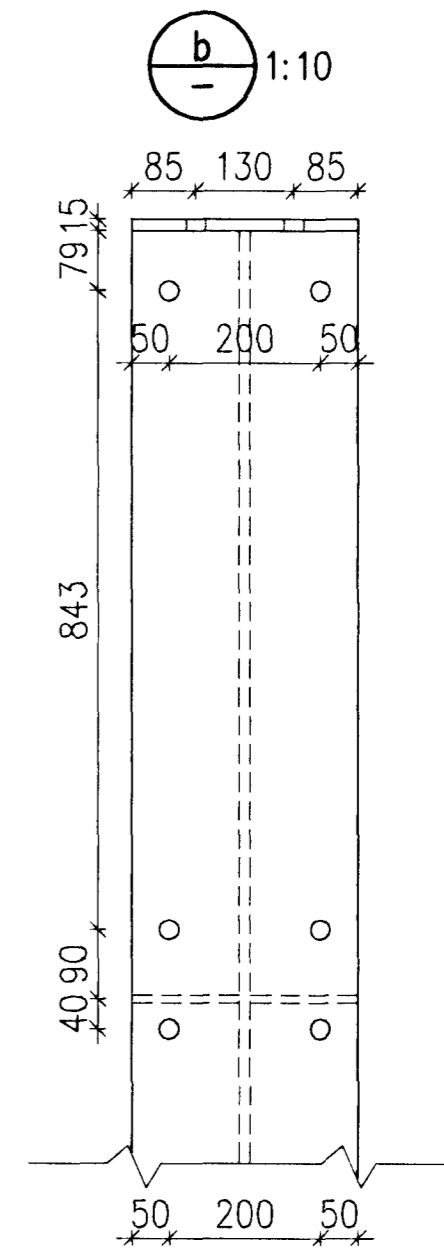
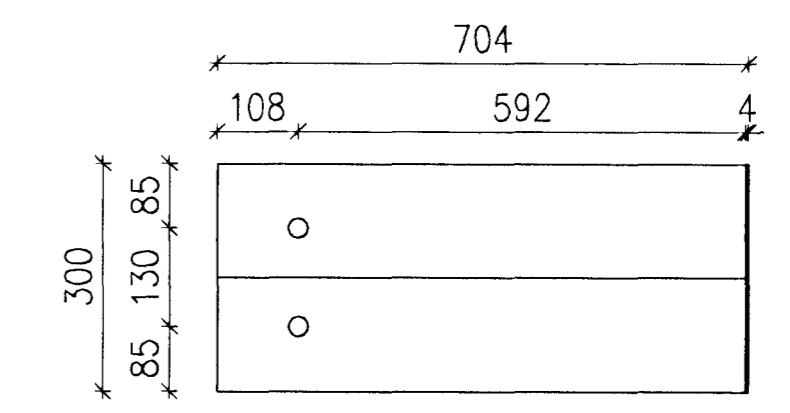
C3b 1 pcs., 1:20
201 C3c
1 pcs is
symmetric to C3b



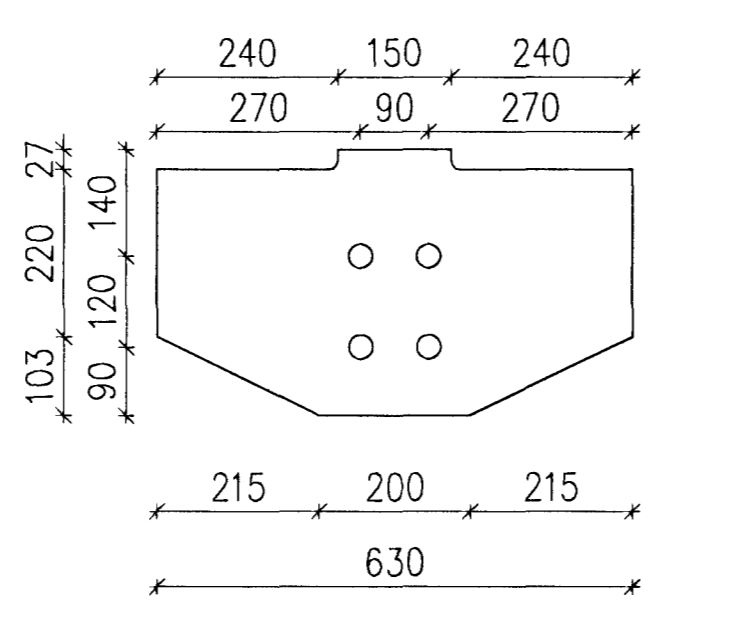
C3f 1 pcs., 1:20
201



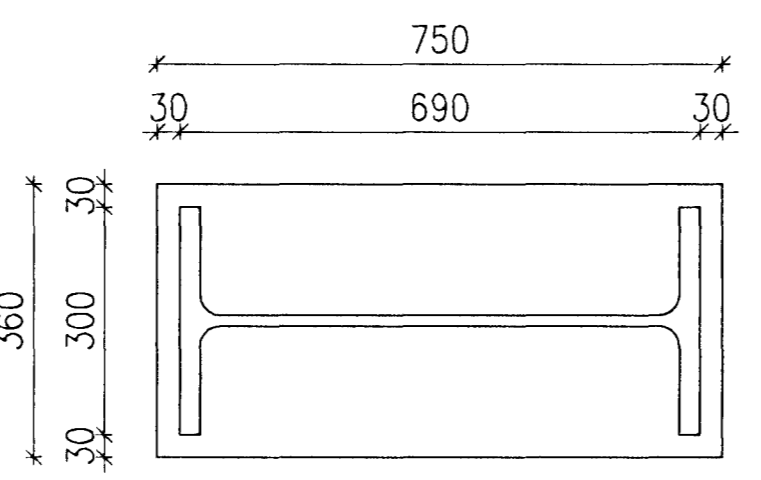
PI. 704x300x15, 1 pcs, 1:10



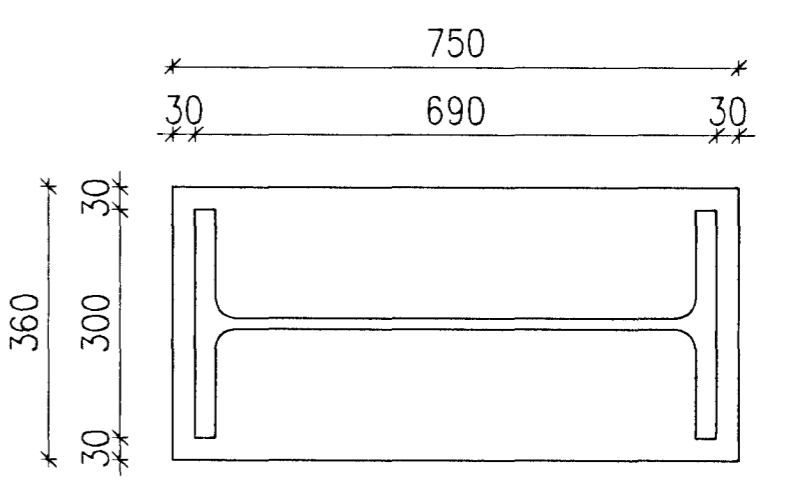
PI. A, t=15mm, 4 pcs, 1:10



PI. 750x360x25, 8 pcs, 1:10

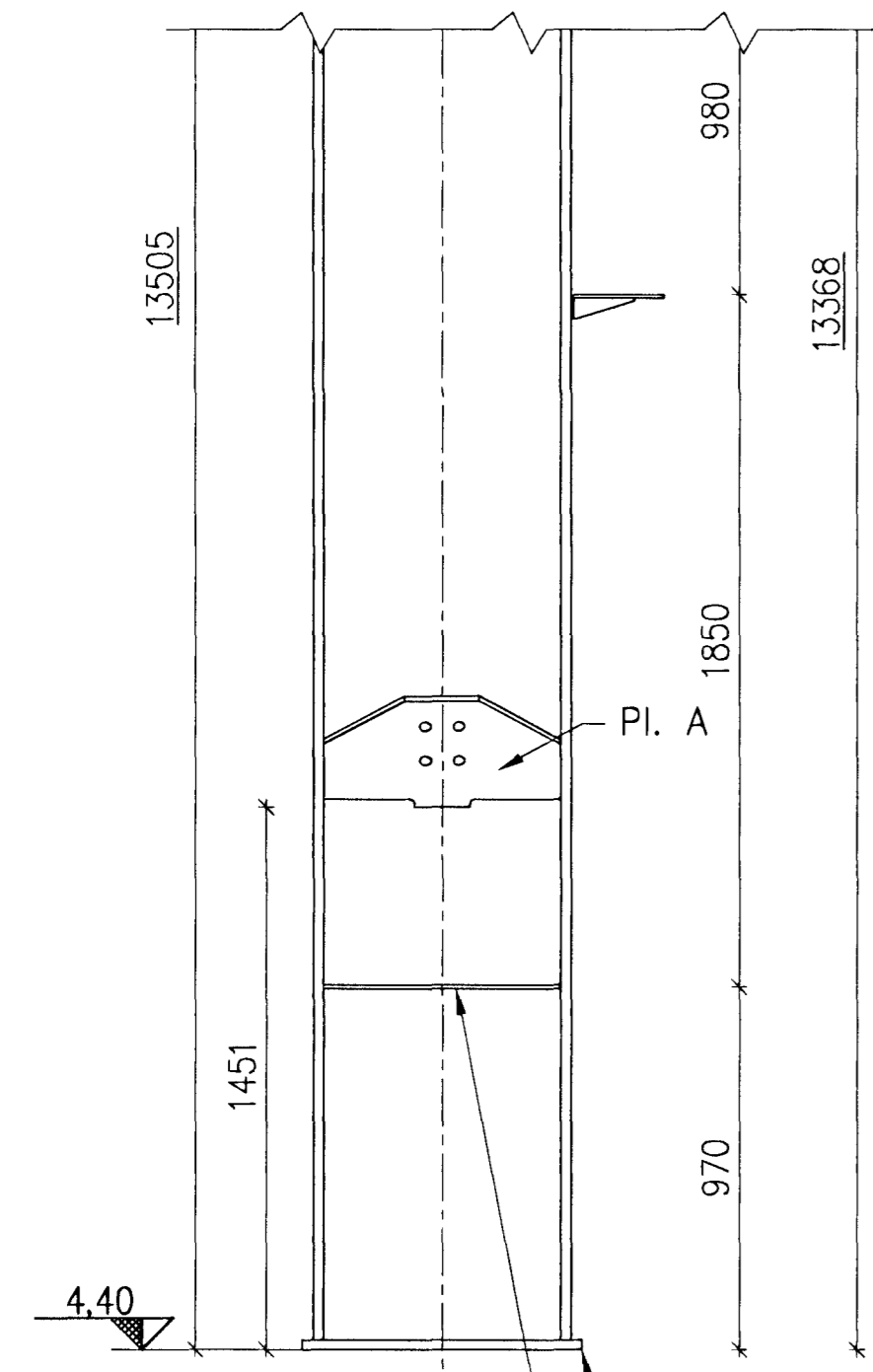


PI. 750x360x25, 2 pcs, 1:10

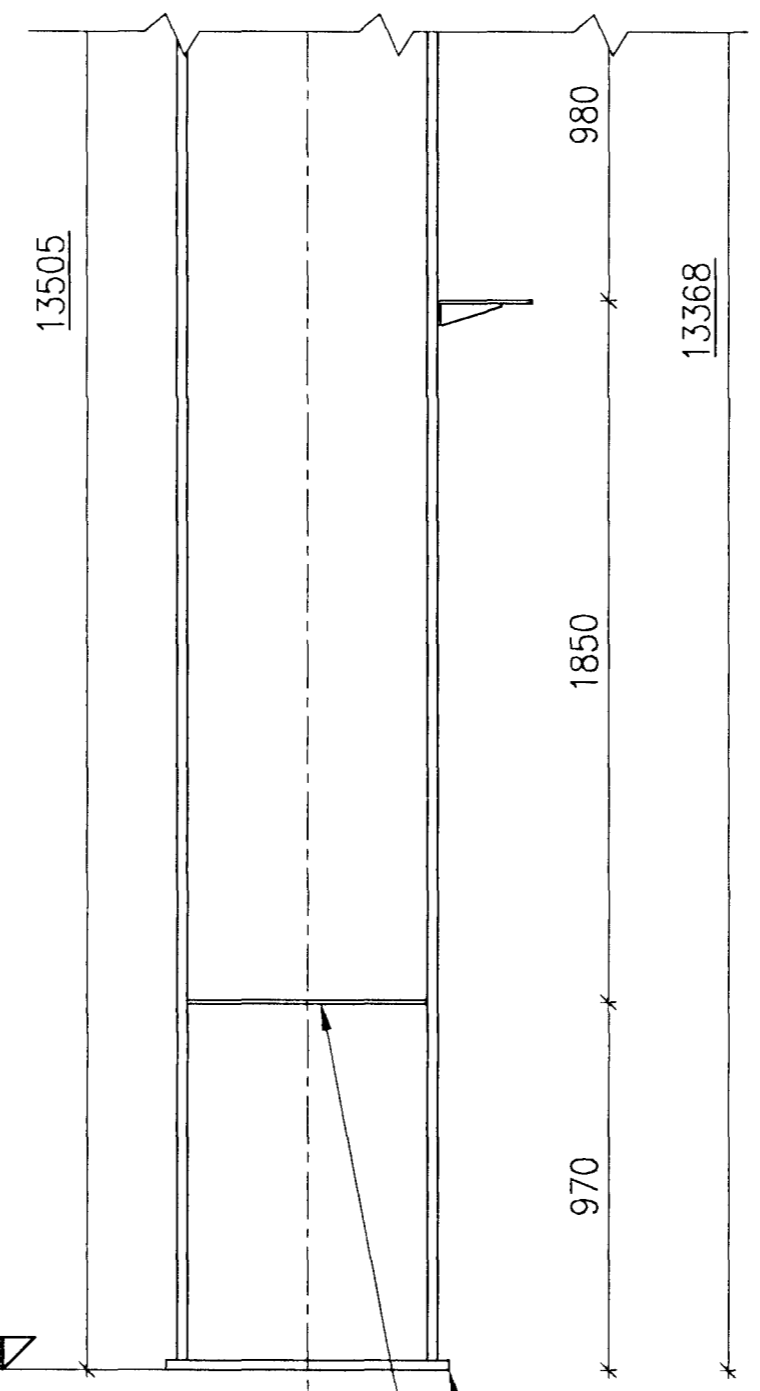


Samþykkt þann
19 JAN 2011
Bygginguáætlaning / Hafnarfríð
Eh. Hrólfur S. Gunnlaugsson

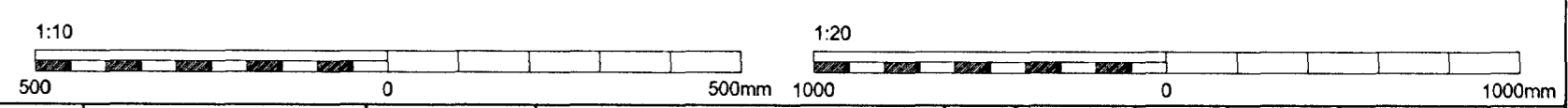
Níels Indriðsson
NI



H1



H1



Skýringar:
Explanations:



This drawing is the property of the Rio Tinto Alcan Iceland Ltd and handed out for personal use only. It may neither be copied nor made available to others without permission of the Rio Tinto Alcan Iceland Ltd. The receiver is liable for any misuse.

Fjöldi stykkja	Hlutur	Atvöð	Efni	ea:stik	total: í hella	Athugasemdir
Number of pieces	Object	Item	Material	Weight (kg)	Drawn	Remarks
IV III II I	ICC				Scale	Mk: 1:10, 1:20
	CASTHOUSE EXTENSION BUILDINGS					
	BUILDING 2, STEEL STRUCTURE					
	COLUMNS 5/12					
	Vertical / Supplier	HRV				Teknir, verki / Drawn of suppl / Rev / Rev
	Teknað / Drawn	GMG/LDB 2010.11.01	Yfirferð / Checked	NI		ICC-611-ZA-518-242 C
						Samb. / Approved
						NI
						Dr. no. of ISAL / Teknir. ISAL / Rev. / Rev
						Notun heimild / Released