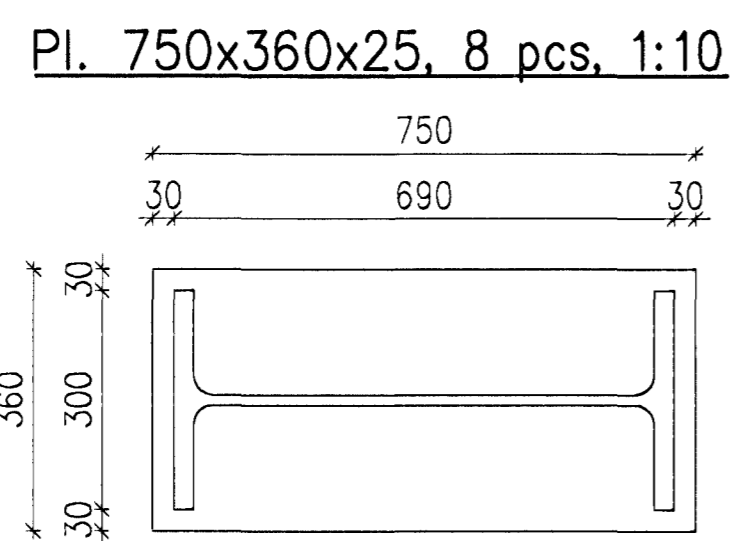
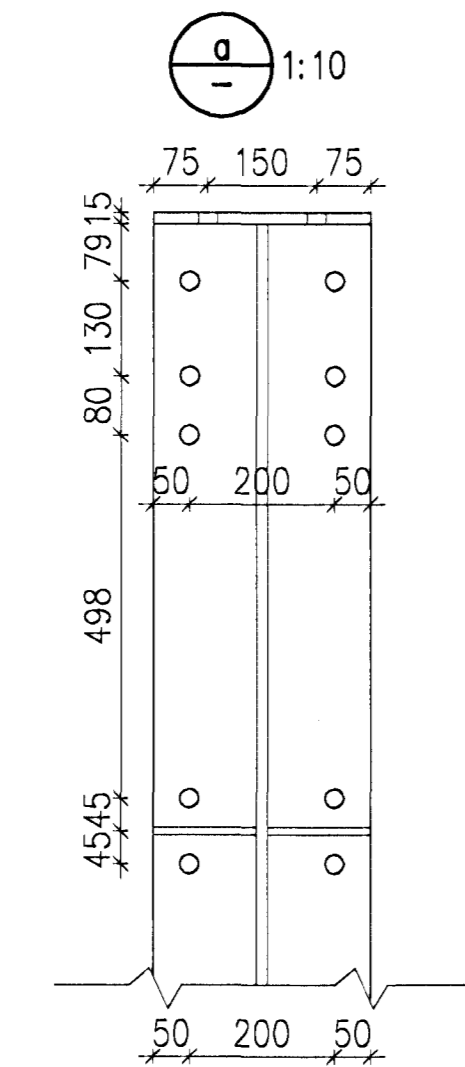
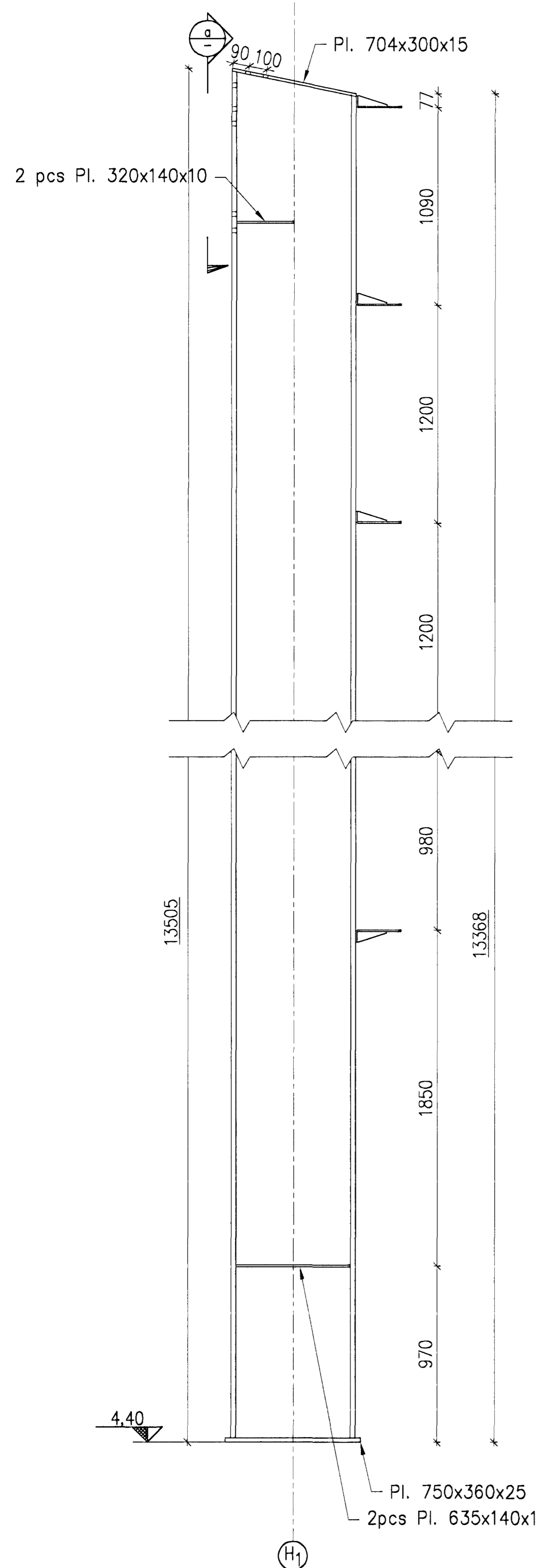
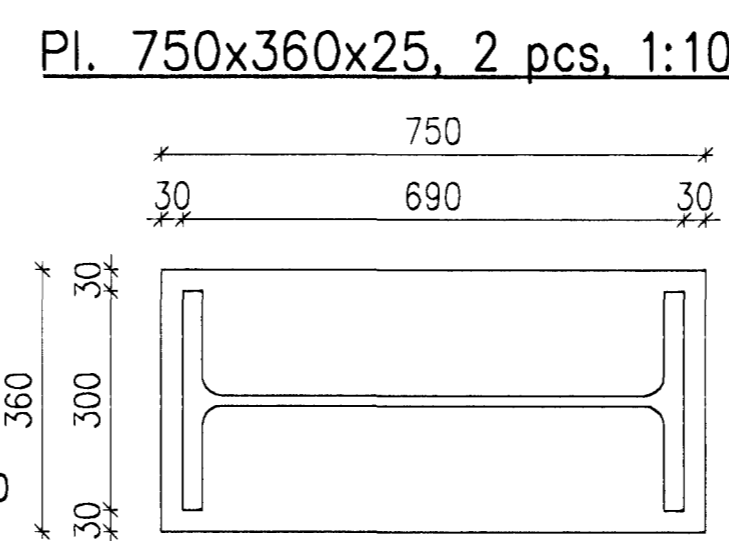
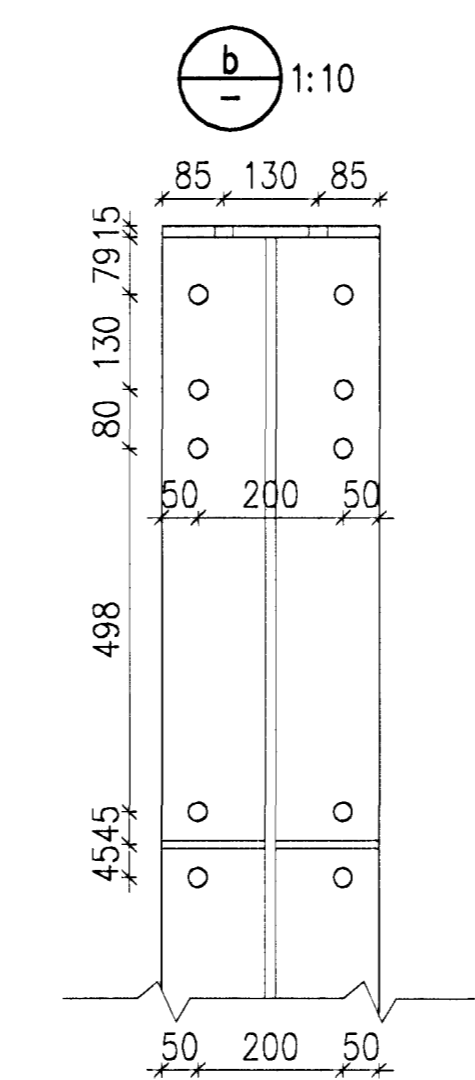
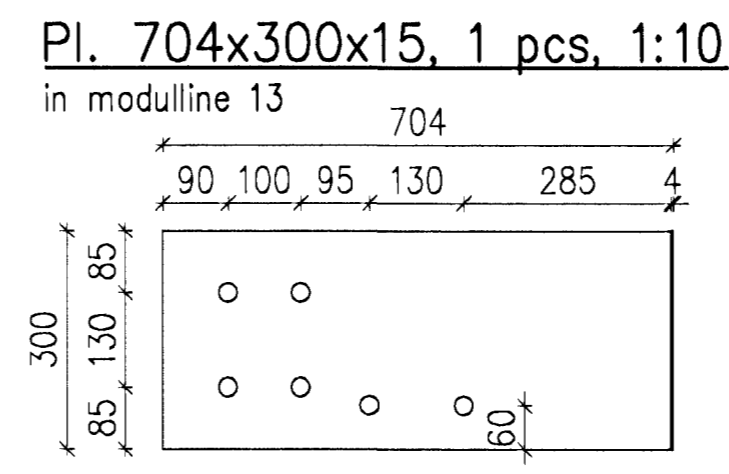
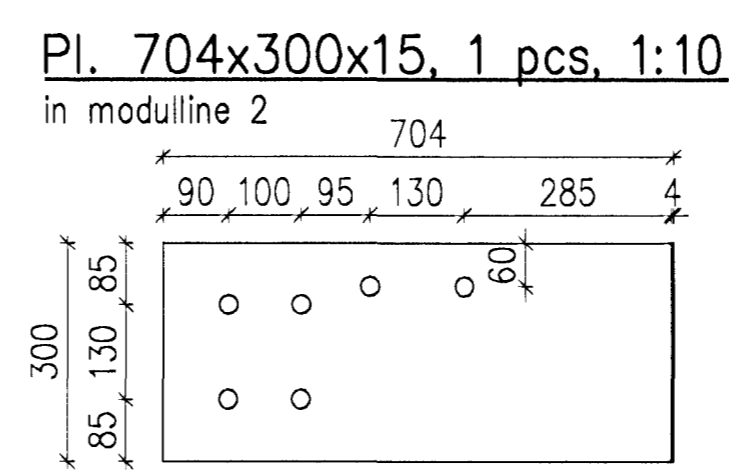
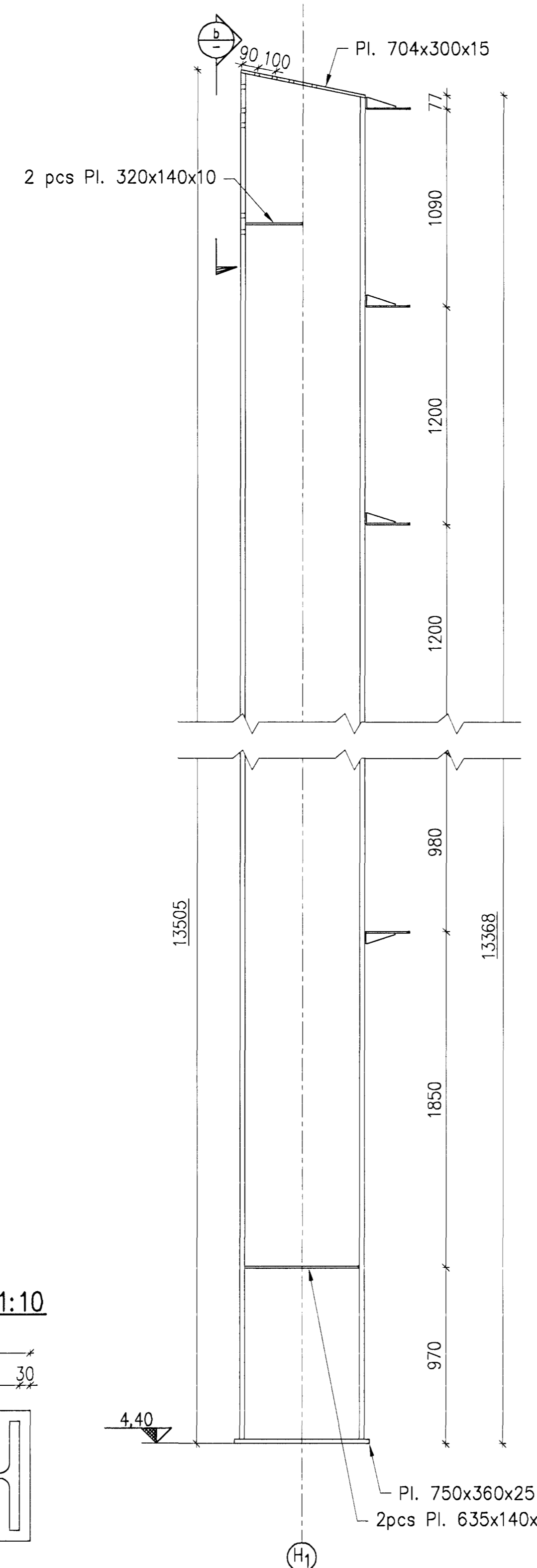


Samþykkt þann
19 JAN 2011
Byggingarlausnir í Hafnarfirði
F.h. Hrólfur S. Gunnlaugsson

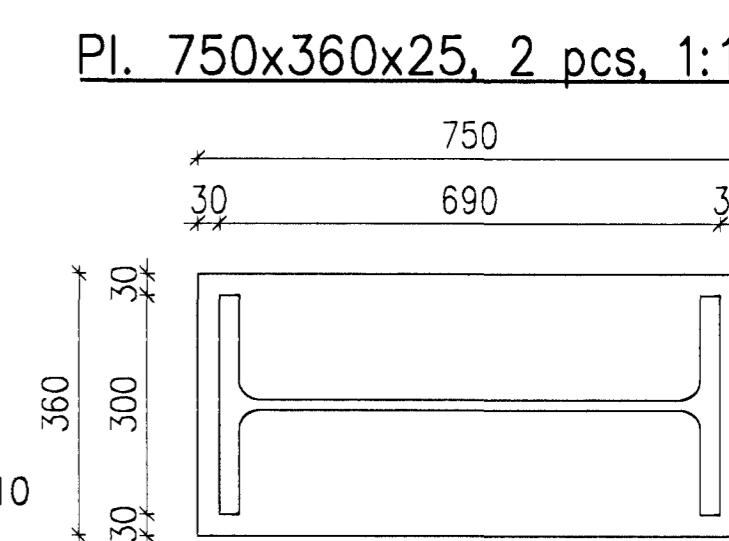
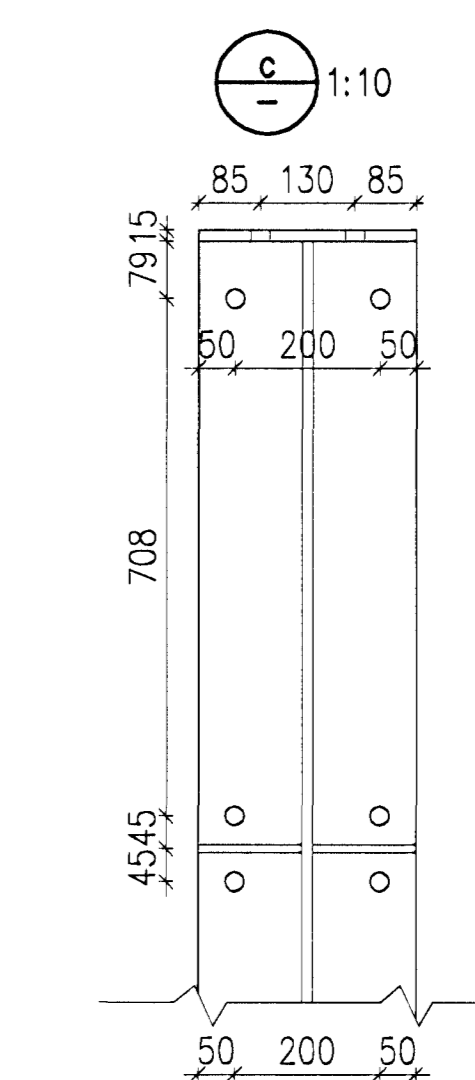
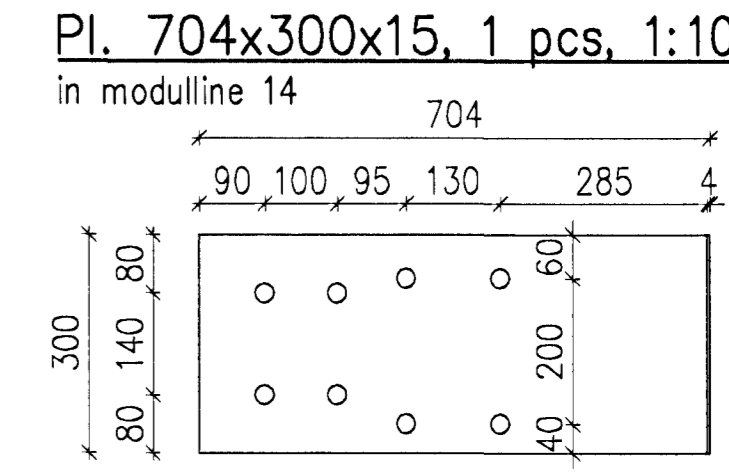
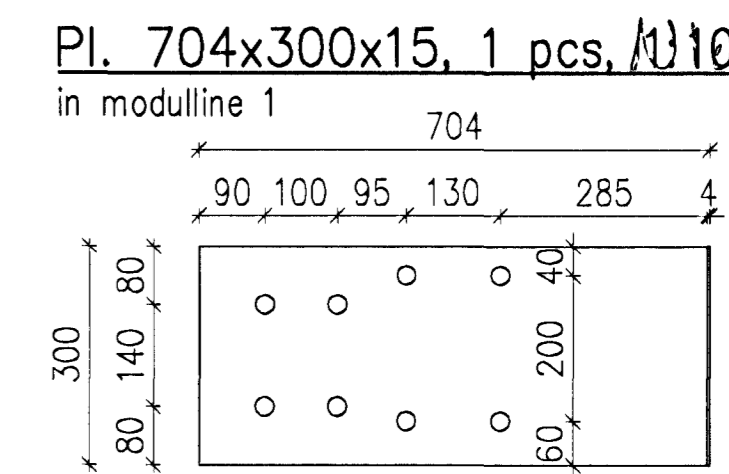
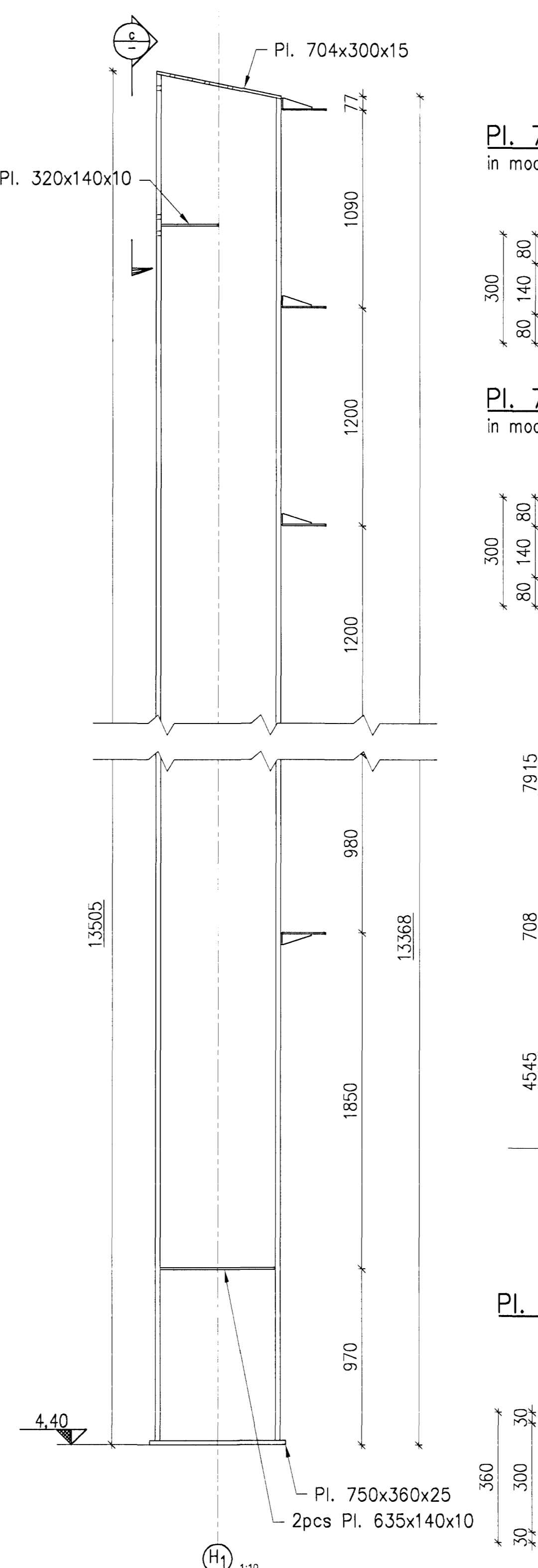
C3a 8 pcs., 1:20
201



C3d 1 pcs., 1:20
201 C3e 1 pcs. is a mirror of C3d



C7a 1 pcs., 1:20
201 C7b 1 pcs. is a mirror of C7a



Skýringar:
Explanations:



2	Issued for construction	10.11.24	Kjop		
Breyt. / Rev.	Breyting / Revision	Dagur / Date	Signt. / Approved	Notk. heiml. / Released	
Tíu tekiþingir nr. ISAL / Ref.drawing no. of ISAL		Samsettn tekiþingir nr. ISAL / Assembly drawing no. of ISAL			

This drawing is the property of the Rio Tinto Alcan Iceland Ltd. and handed out for personal use only. It may neither be copied nor made available to others without permission of the Rio Tinto Alcan Iceland Ltd. The receiver is liable for any misuse.		Fjöldi stúkkja / Number of pieces	hlutur / Object	Atráð / Item	Efni / Material	eo.stk / Weight	total í heild / Total	Athugasemdir / Remarks
IV	III	II	I	ICC	CASTHOUSE EXTENSION BUILDINGS BUILDING 2, STEEL STRUCTURE COLUMNS 4/12			Bl. / Sheet: A1
Tilvaka / Supplier		HRV		Tæknir. parta / Drawn of supply		Tæknir. / Checked		IC-611-ZA-518-241 C
Tæknir. / Drawn		HS/LDB		2010.11.01		Tæknir. / Checked		AKS no.
Tæknir. / Drawn		HRV		Tæknir. / Checked		Tæknir. / Checked		AKS no.
Tæknir. / Drawn		HRV		Tæknir. / Checked		Tæknir. / Checked		AKS no.