

C1a 201 C1c 201 C1d 201 C1e 201 15 pcs., 1:20

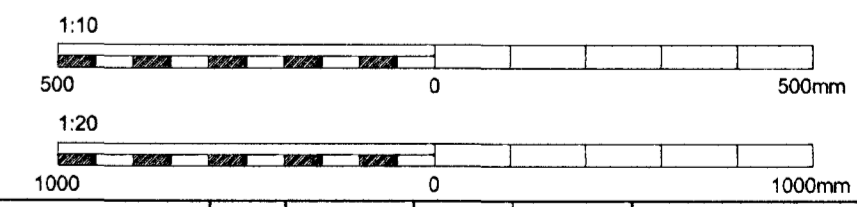
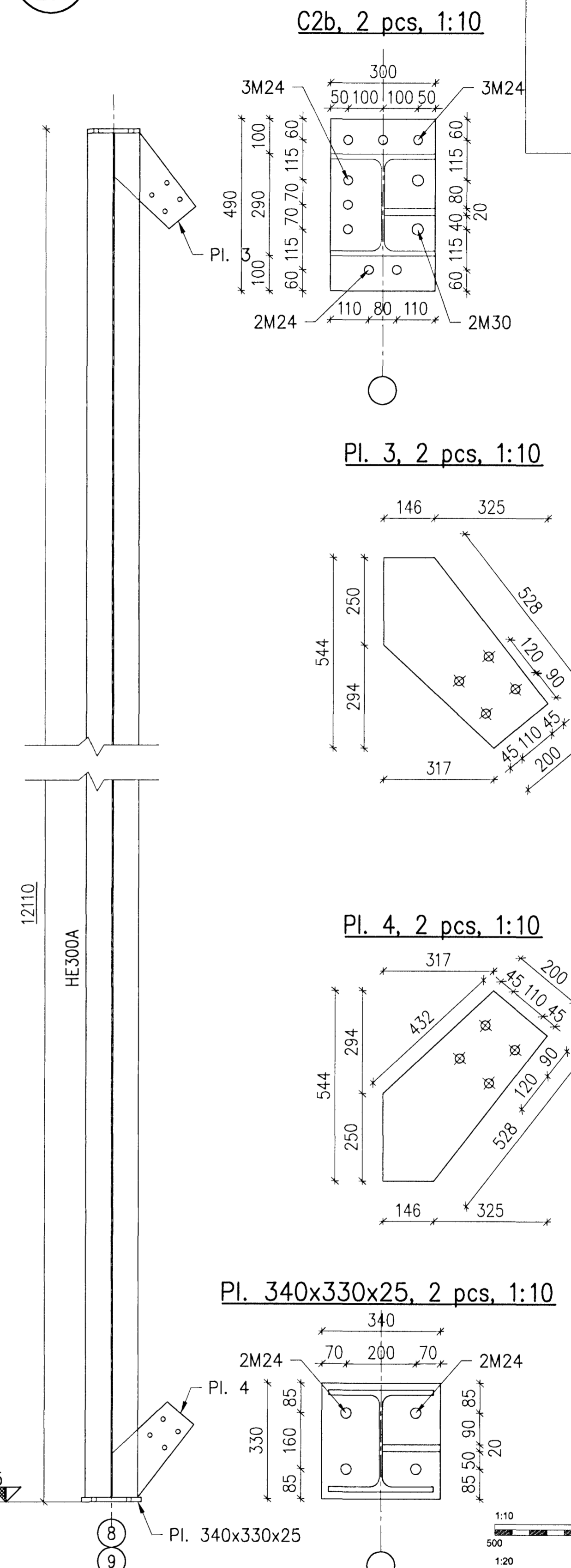
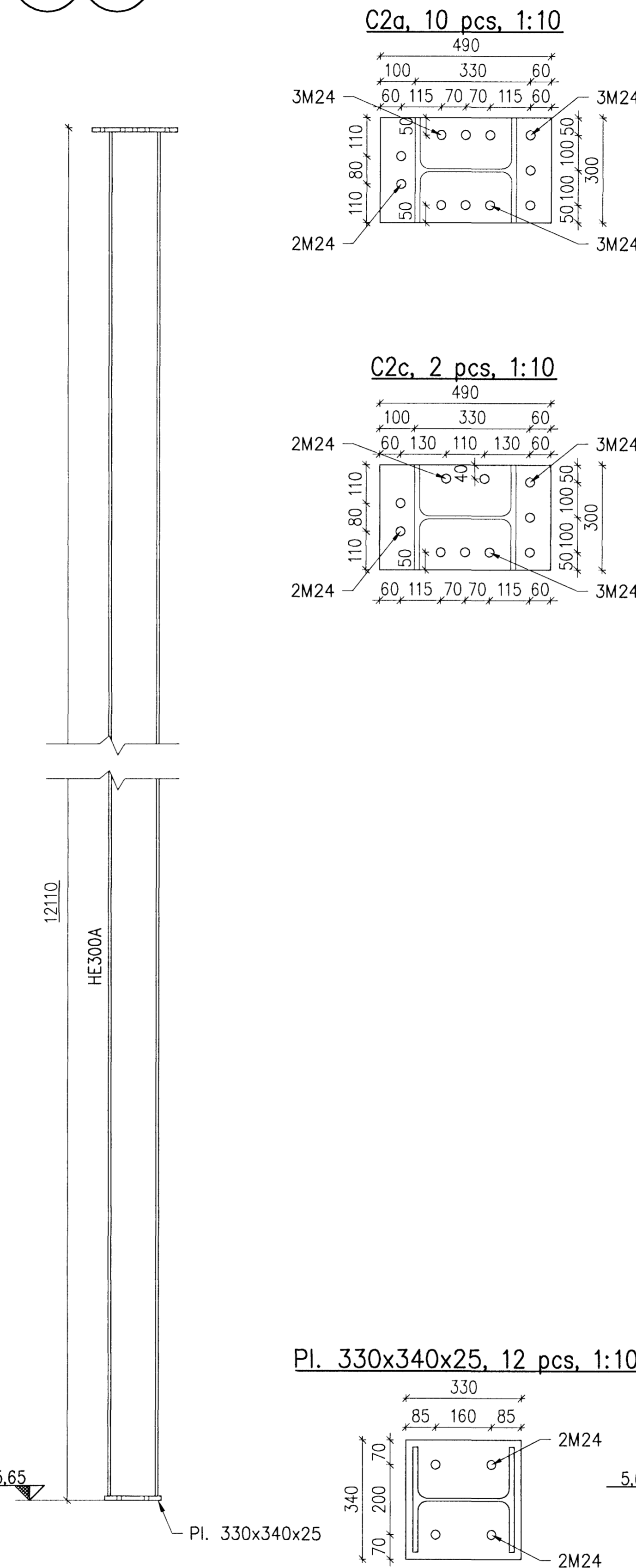
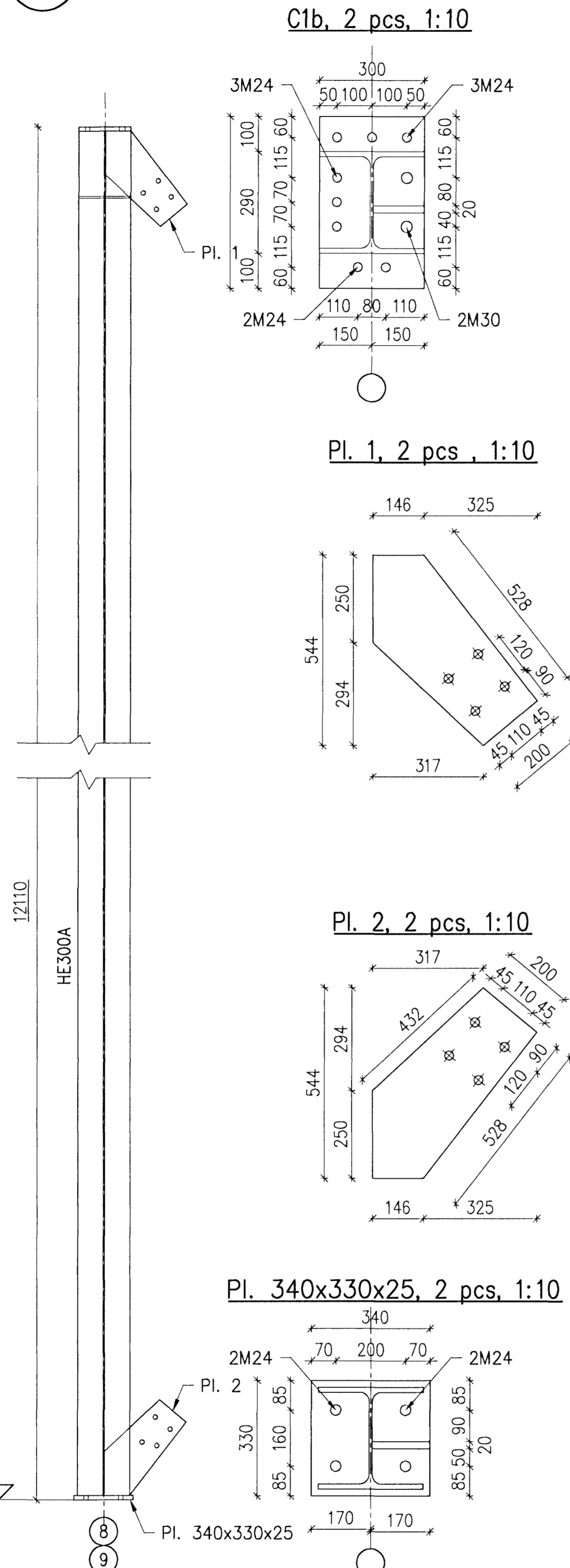
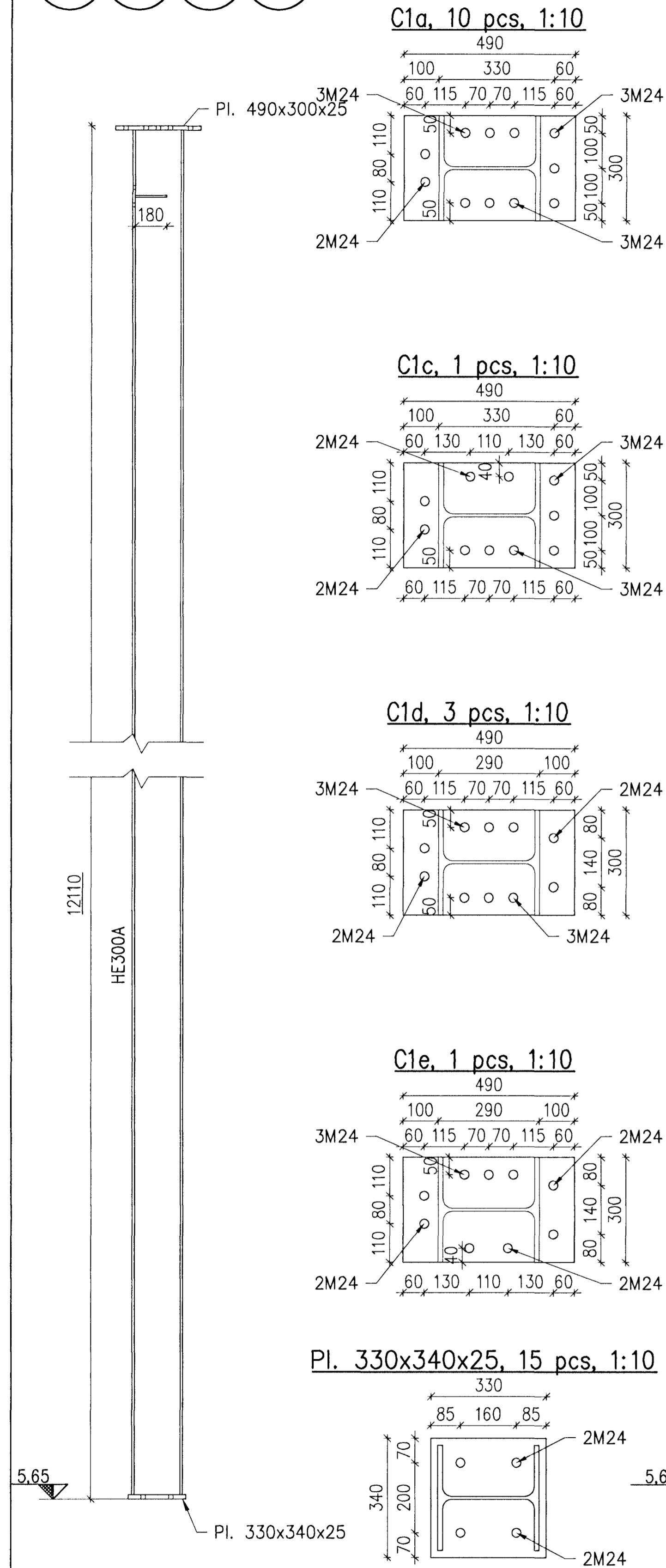
C1b 201 2 pcs., 1:20

C2a 201 C2c 201 12 pcs., 1:20

C2b 201 2 pcs., 1:20

Samþykkt þann
19 JAN 2011
Byggingarstjórnin í Hálfarfrói
Fh. Hrólfur S. Gunnlaugsson

Nick Indriðsson
NI



Skýringar:
Explanations:

HOME International		HRV ENGINEERING	
Breyt. Rev.	Breyting Revision	Dags. Date	Samp. Approved
2	Issued for construction	10.11.24	Kjop
Tilv. teikningar nr. ISAL Ref-drawing no. of ISAL		Samsetn. teikningar nr. ISAL Assembly drawing no. of ISAL	

This drawing is the property of the Rio Tinto Alcan Iceland Ltd. and handed out for personal use only. It may neither be copied nor made available to others without permission of the Rio Tinto Alcan Iceland Ltd. The receiver is liable for any misuse.	
Fjöldi stúkkja Number of pieces	IV III II I

Hlutur Object	ICCCASTHOUSE EXTENSION BUILDINGS BUILDING 2, STEEL STRUCTURE COLUMNS 3/12	Stærð Format	A1	Skala Scale	1:10, 1:20
Verktaki / Supplier	HRV	Tekna- / Drawn	HS/LDB	Dagur / Date	2010.11.01
Yfirfarir / Checked	NI	Samþykkt / Approved	NI	ISAL Stafrískur / E-Stamp	IS-222 Hálfarfrói
Tilv. / Drawn		Yfirfarir og skráð / Checked and filed		Nafn / Name	