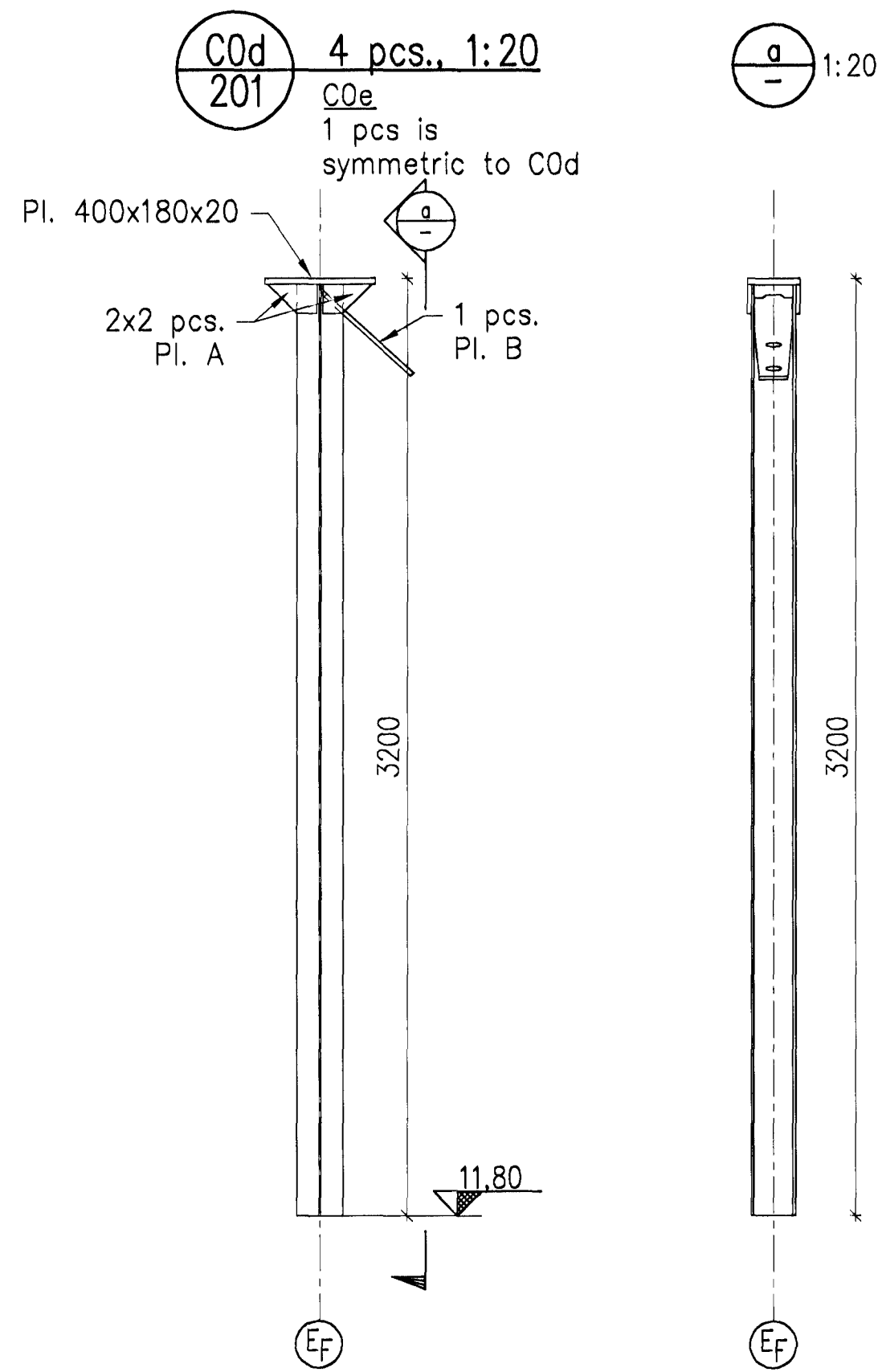
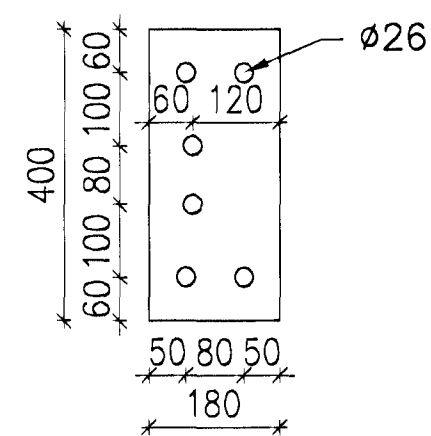


Samþykkt þann  
 19 JAN 2011  
 Byggingatvítunni / Hafnarfróði  
 F.h. Hrólfur S. Gunnlaugsson

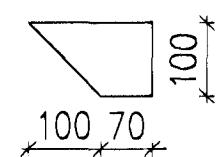
Niel Indriðsson  
 NI



PI. 400x180x20, 2 pcs, 1:10

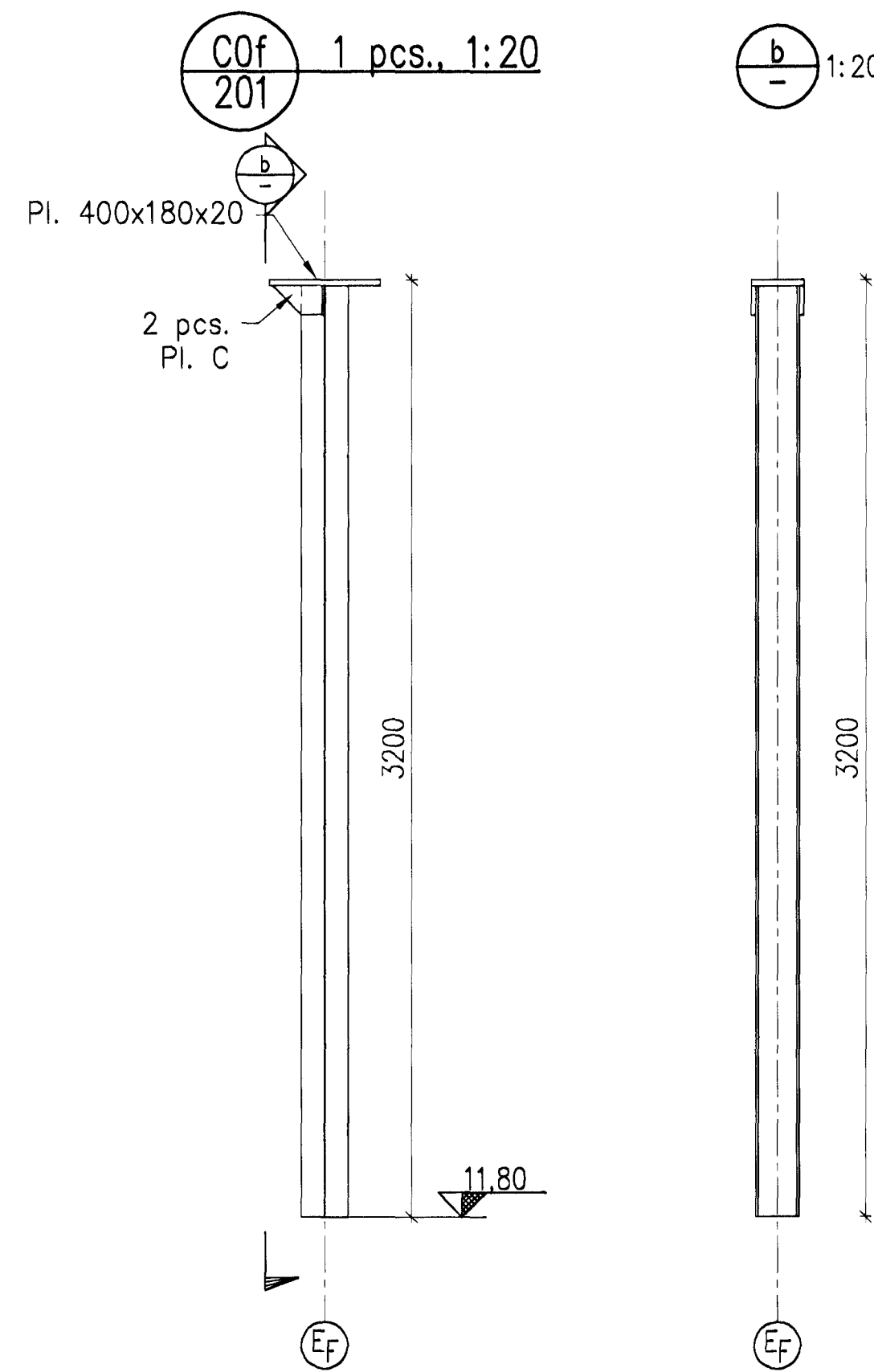
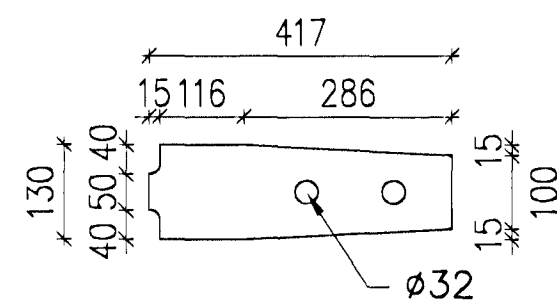


PI. A, t=10mm, 8 pcs, 1:10

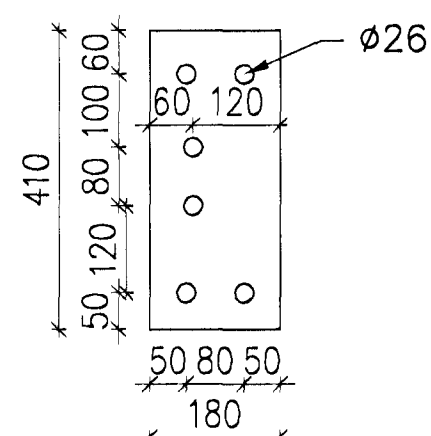


PI. B, t=15mm, 4 pcs, 1:10

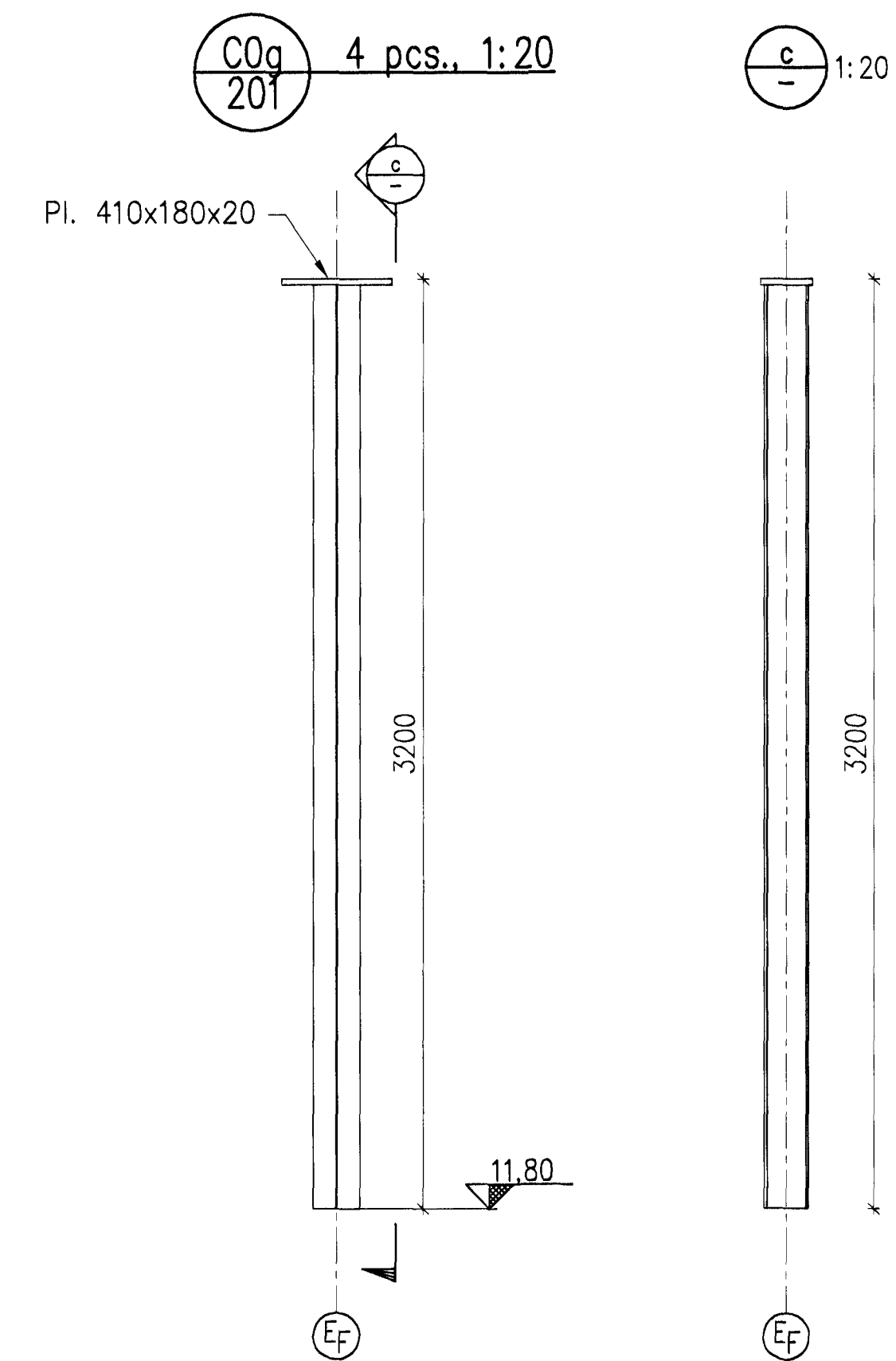
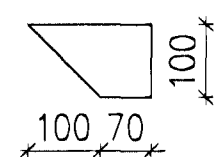
(2 pcs. are welded to existing part of column)



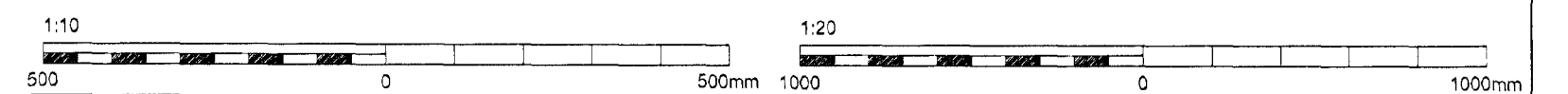
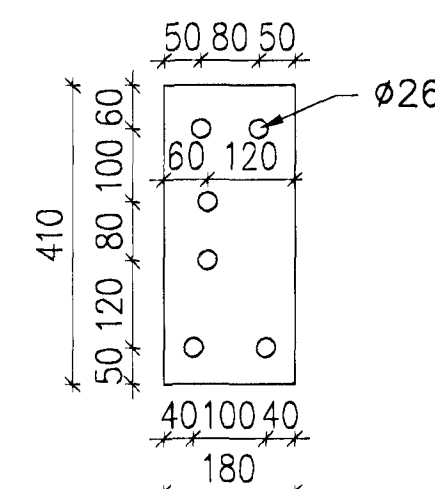
PI. 410x180x20, 4 pcs, 1:10



PI. C, t=10mm, 2 pcs, 1:10



PI. 410x180x20, 4 pcs, 1:10



Skýringar:  
 Explanations:



This drawing is the property of the Rio Tinto Alcan Iceland Ltd. and handed out for personal use only. It may neither be copied nor made available to others without permission of the Rio Tinto Alcan Iceland Ltd. The receiver is liable for any misuse.

2	Issued for construction	10.11.24	Kjop			
Rev.	Breyting / Revision	Dagur / Date	Samþ. / Approved	Notk. heimil. / Released		
Þessi teikning er í eigu HRV. / Refdrawing no. of ISAL		Samsetningateikning / Assembly drawing no. of ISAL				

Fjöldi stykja / Number of pieces	Hlutur / Object	Atriði / Item	Efni / Material	ea. stk / Weight (kg)	Ítalgi / Total (kg)	Áthugasemdir / Remarks
1	ICC					Stærð / Size: A1
CASTHOUSE EXTENSION BUILDINGS BUILDING 2, STEEL STRUCTURE COLUMNS 2/12						Skala / Scale: 1:10, 1:20
Tæknifrátt / Supplier: HRV						Tekni-vertak / Drawn of supp: Hrv/Rev
Tæknidrátt / Drawn: GMS/LDB 2010.11.01						Tekni-vertak / Drawn of ISAL: GMS
Tæknidrátt / Drawn: GMS/LDB 2010.11.01						Tekni-vertak / Drawn of ISAL: GMS
Tæknidrátt / Drawn: GMS/LDB 2010.11.01						Tekni-vertak / Drawn of ISAL: GMS