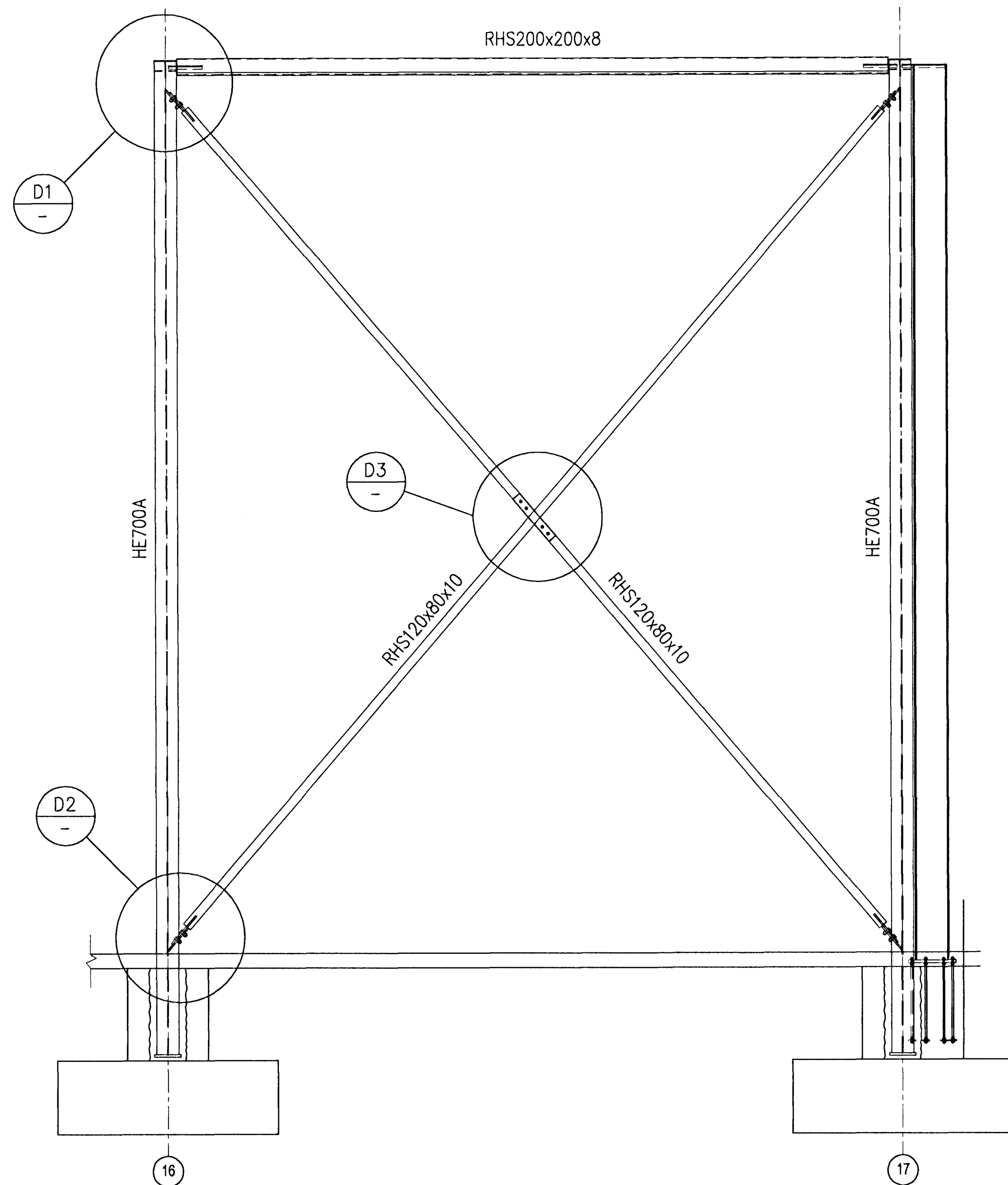


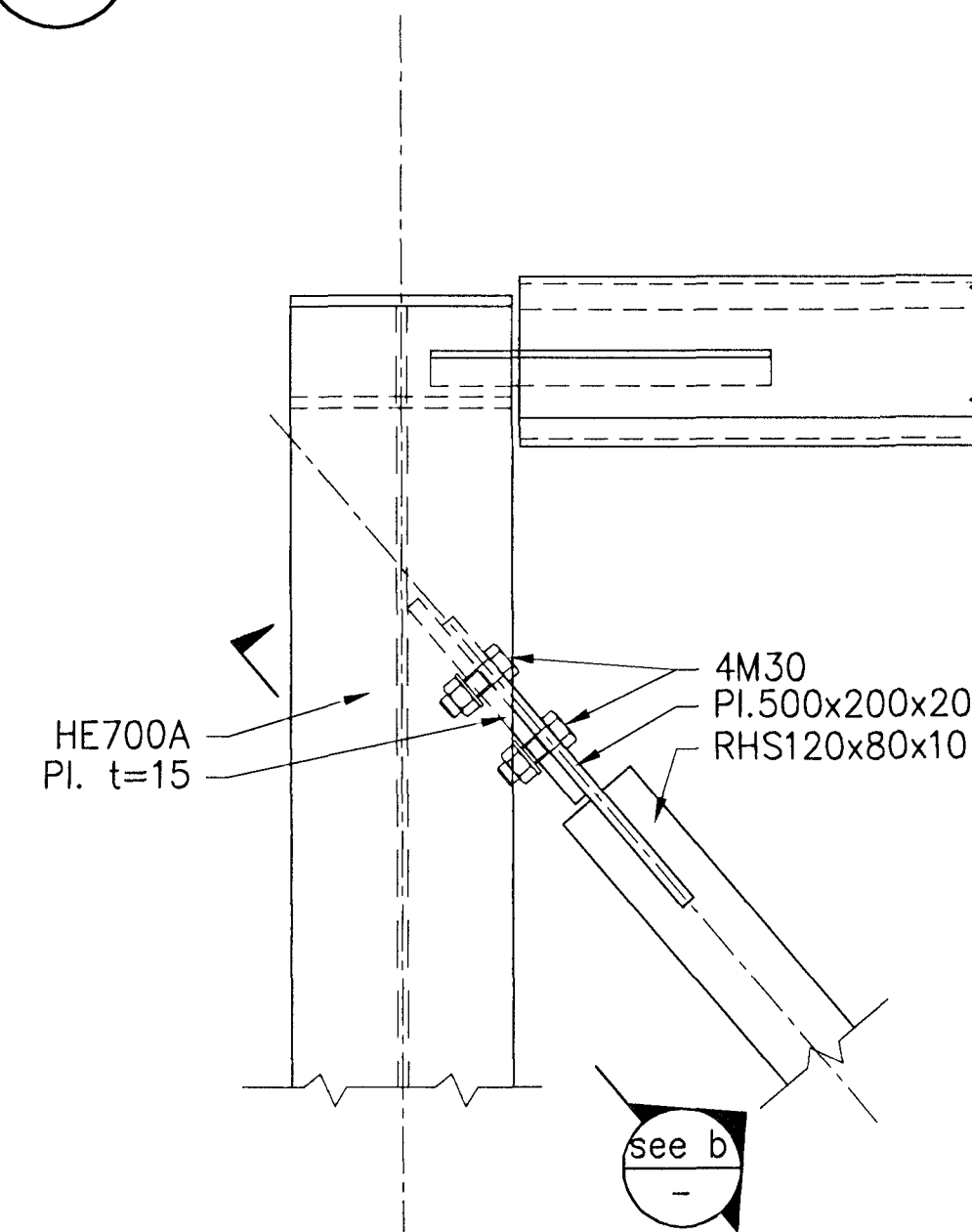
Samþykkt bann
19 JAN 2011
Byggingisráðgjafi í Hafnarfirði
F.h. Hrólfur S. Gunnlaugsson

Níel Indriðason
N1

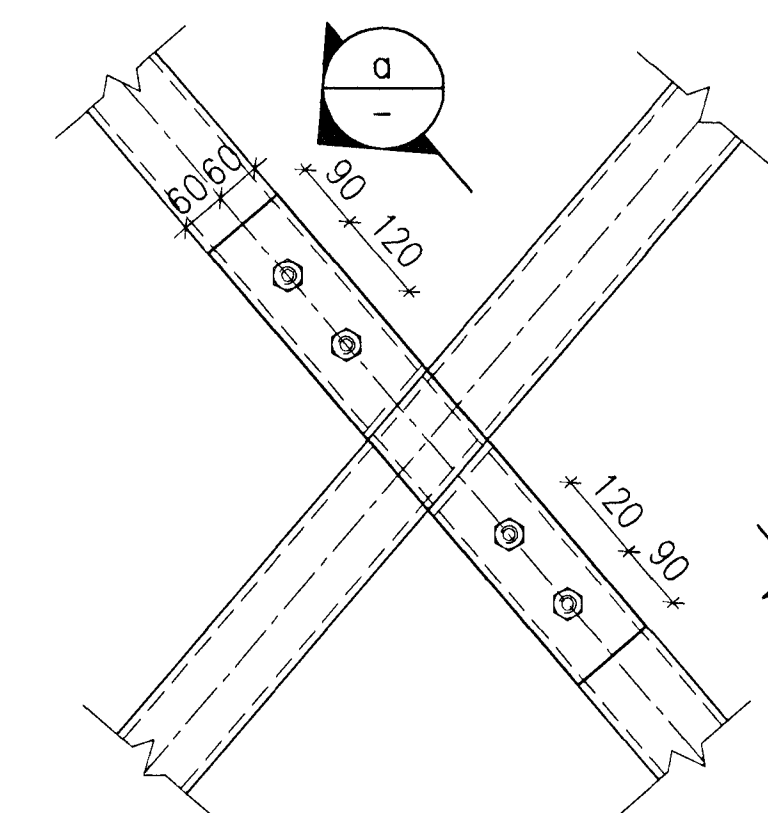
BRACING IN LINE F2, 1:50



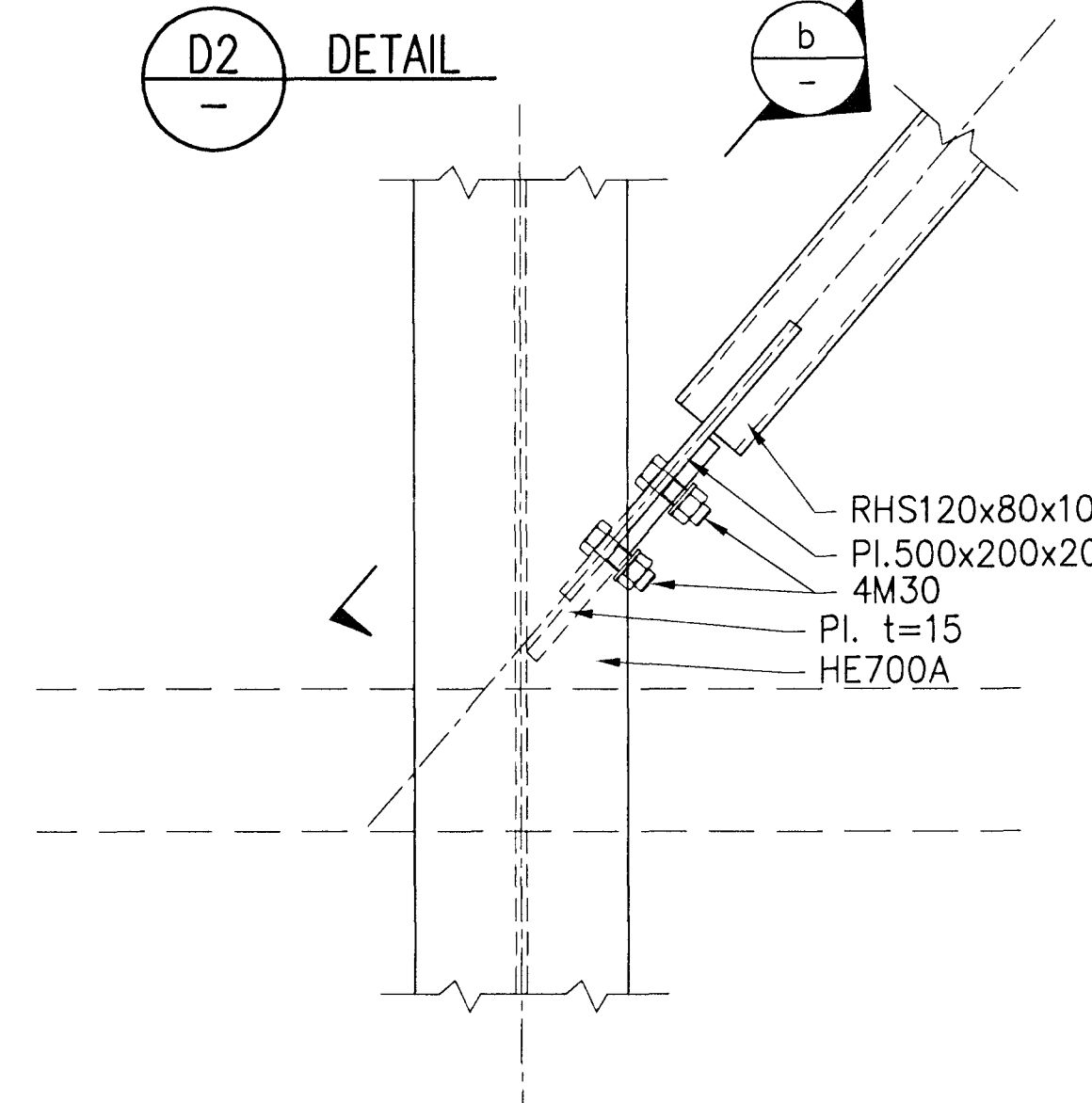
D1 DETAIL



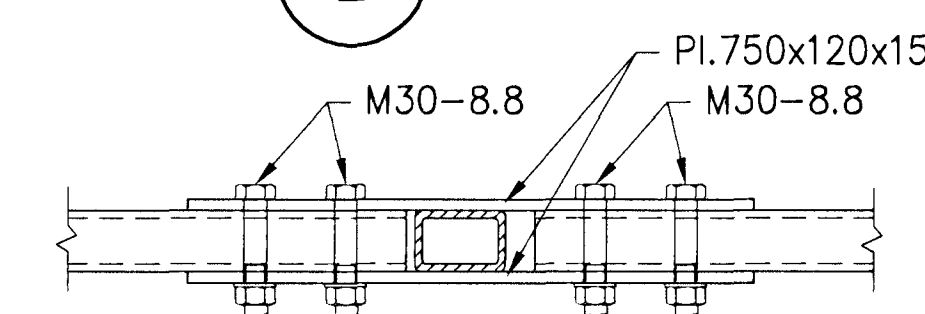
D3 DETAIL



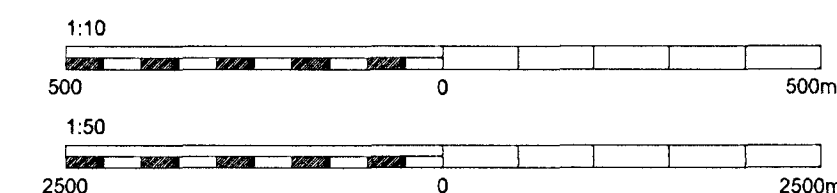
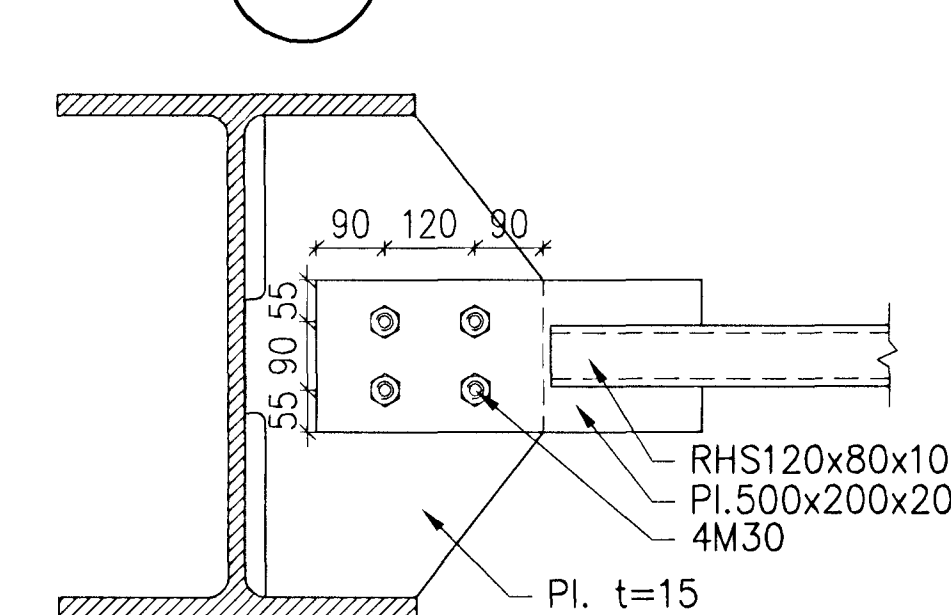
D2 DETAIL



a SECTION



b SECTION



Skýringar:
Explanations:



| Rev. | Issued for construction | Date | 10.11.24 | Approved | Released |
|------|-------------------------|----------|----------|----------|----------|
| 2 | Issued for construction | 10.11.24 | | | |

This drawing is the property of the Rio Tinto Alcan Iceland Ltd and handed out for personal use only. It may neither be copied nor made available to others without permission of the Rio Tinto Alcan Iceland Ltd. The receiver is liable for any misuse.

| Fjöldi stúkkja Number of pieces | Liður Object | Alribi Item | Efni Material | Eq.stk Weight | Ístaf. t. heild (kg) Total | Athugasemdir Remarks |
|------------------------------------|---|----------------------|------------------|------------------|-------------------------------|-------------------------|
| IV III II I | ICC CASTHOUSE EXTENSION BUILDINGS BUILDING 2, STEEL STRUCTURE BRACING IN LINE F2 | | | | | |
| | HRV | | | | | |
| | GMG/LDB 2010.11.01 | Yfirfarið Checked | NI | | | |
| | | | | | | |