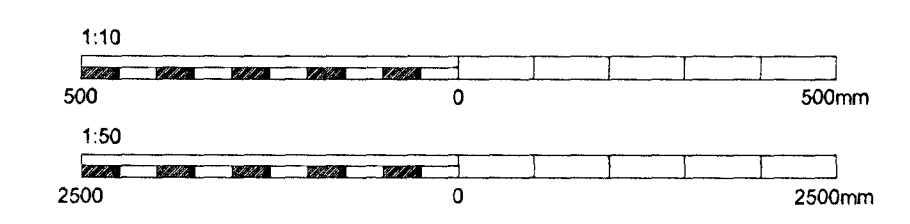
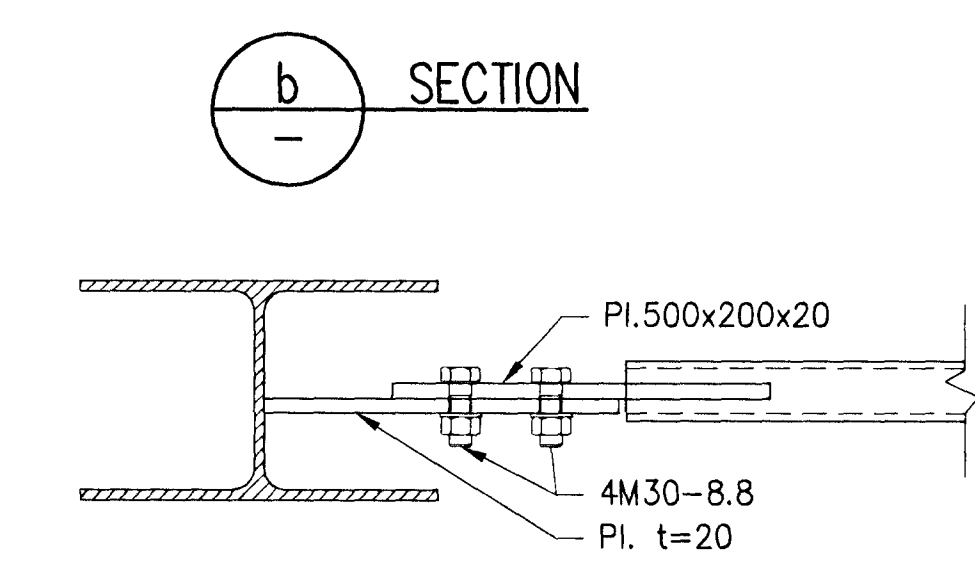
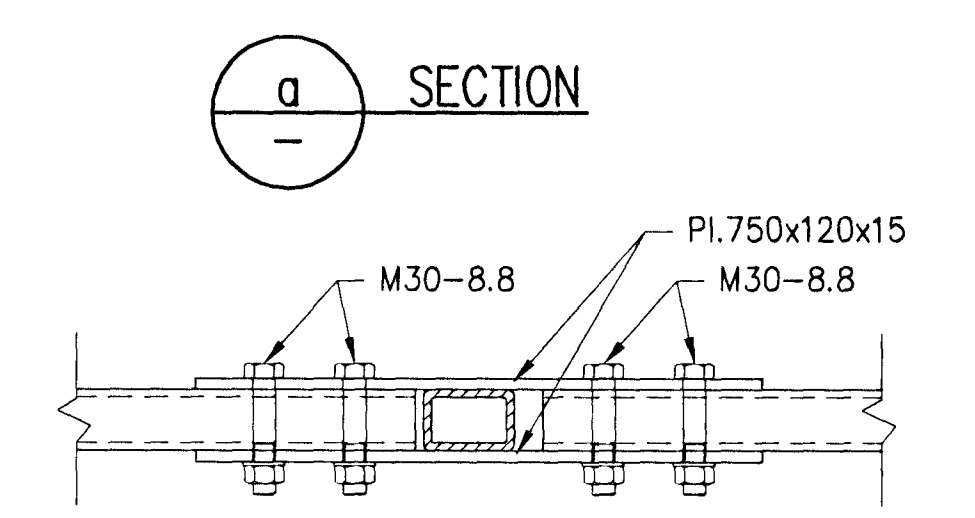
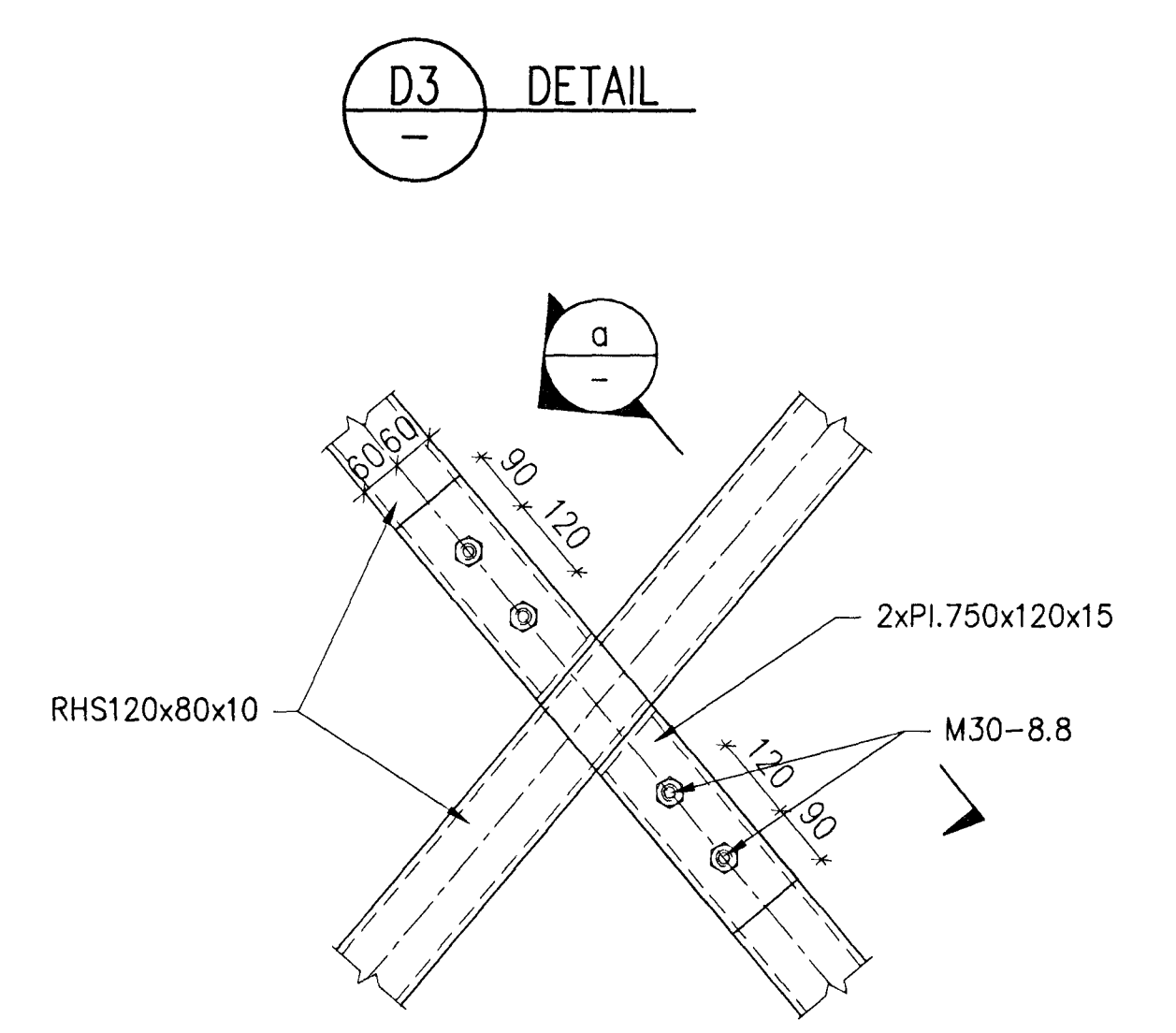
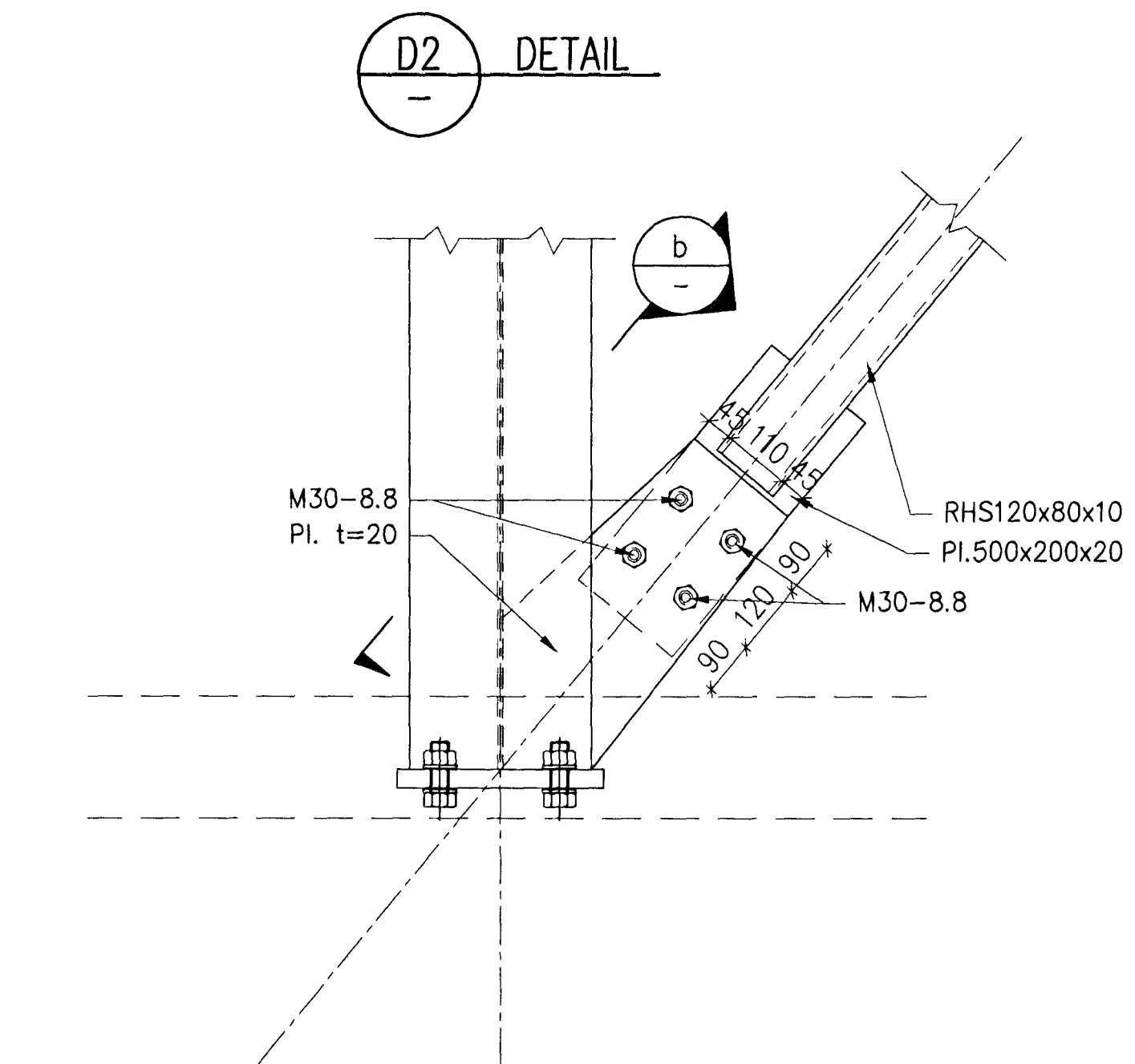
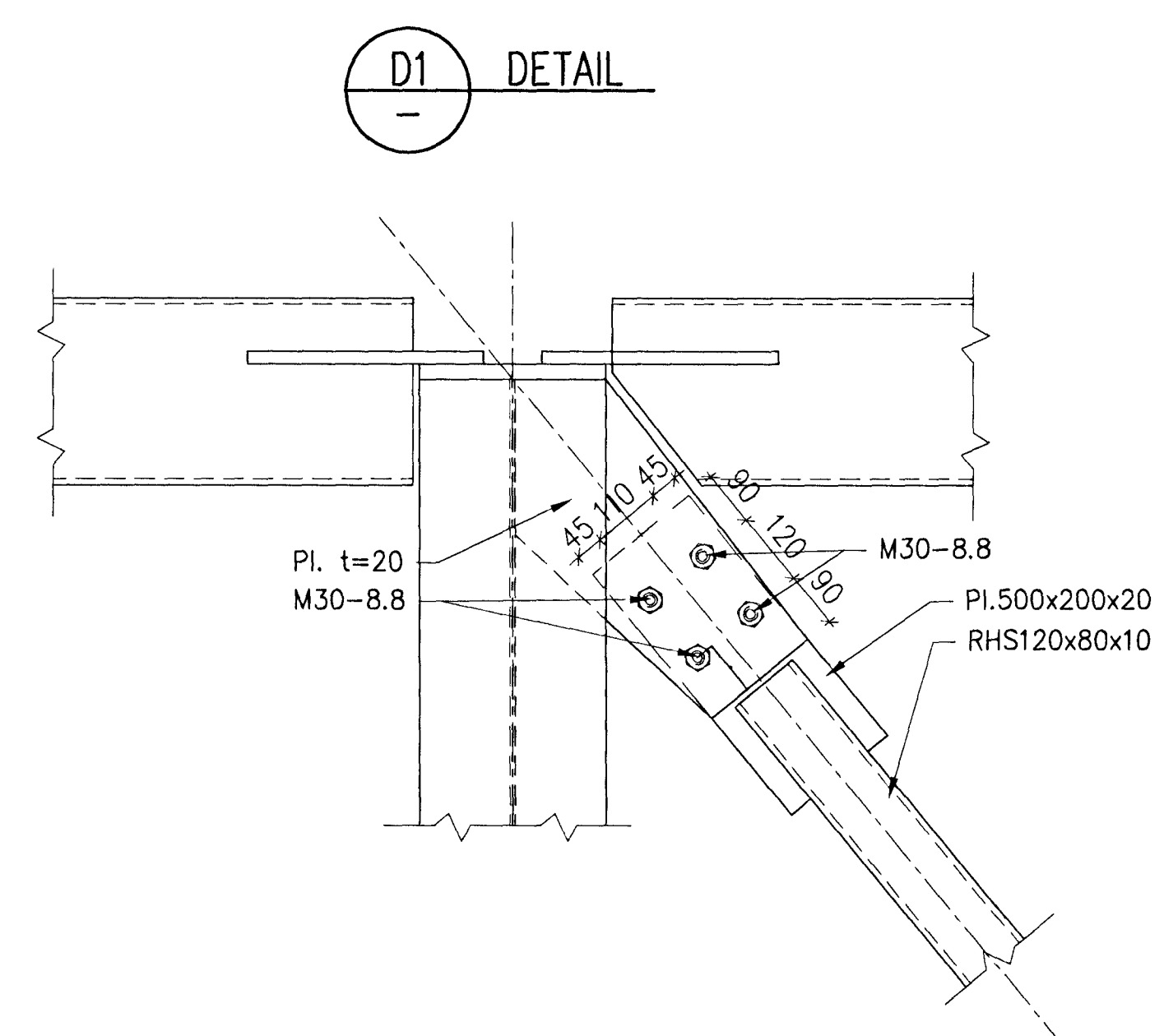
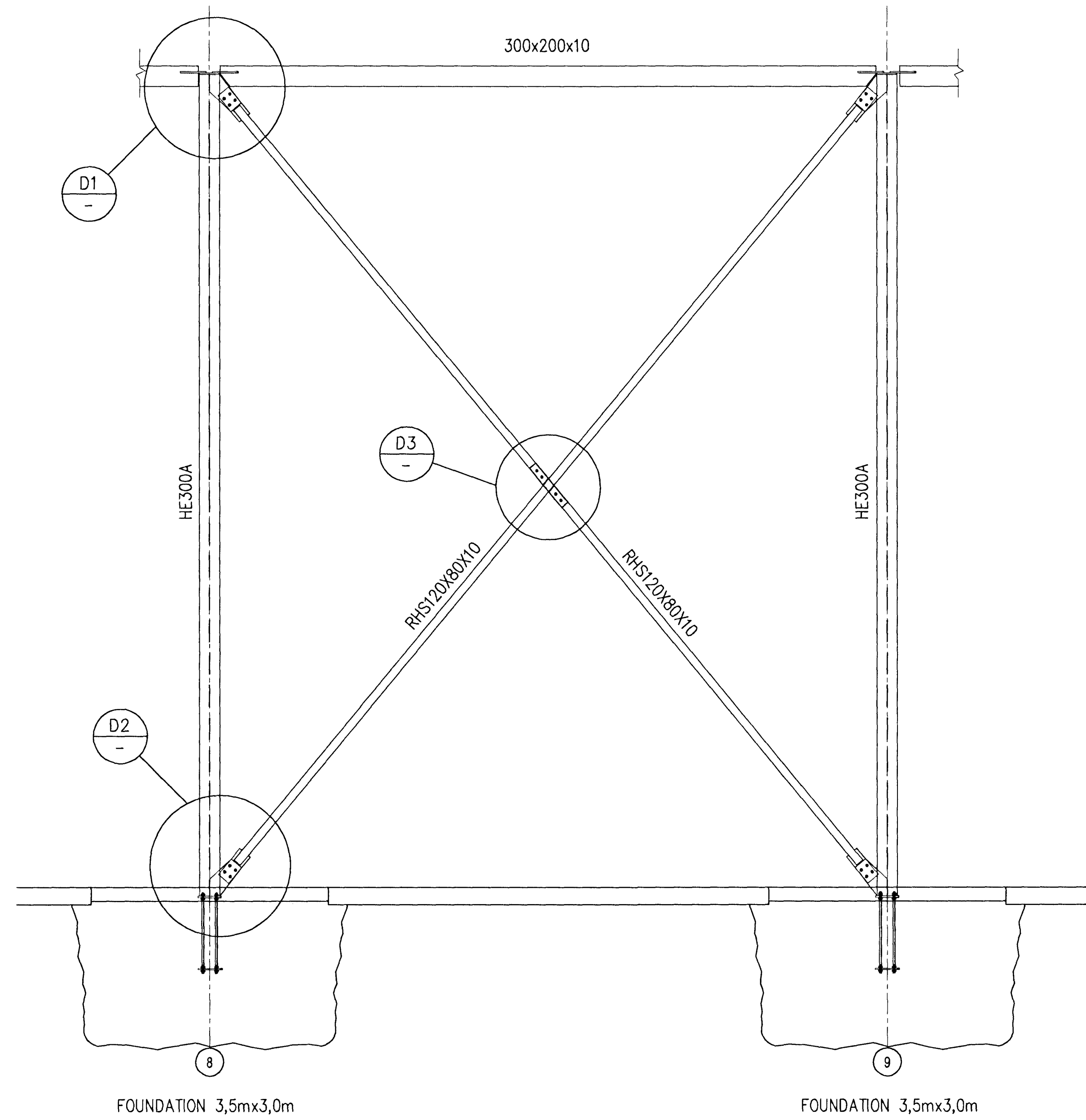


Samþykkt þann
19 JAN 2011
Byggingaávitunin í Hálfarfríði
F.h. Hröfður S. Gunnlaugsson

Nich Indriðsson
SI

BRACING IN LINE F1, 1:50



Skýringar:
Explanations:



Breyt. Rev.	Ísskipting nr. ISAL	Daga Date	Samb. Approved	Nok. heimt. Released
3	Issued for construction	10.11.24	HRV	

This drawing is the property of the Rio Tinto Alcan Iceland Ltd and handed out for personal use only. It may neither be copied nor made available to others without permission of the Rio Tinto Alcan Iceland Ltd. The receiver is liable for any misuse.

Fjöldi stykka Number of pieces	Hlutur Object	Atriði Item	Efni Material	Le. stik Weight	Ísskipting nr. ISAL	Stærð Forma	Stærð Scale	Athugasemdir Remarks
1	ICC CASTHOUSE EXTENSION BUILDINGS BUILDING 2, STEEL STRUCTURE BRACING IN LINE F1	HRV			611-2A-518-233	A1	1:10, 1:50	