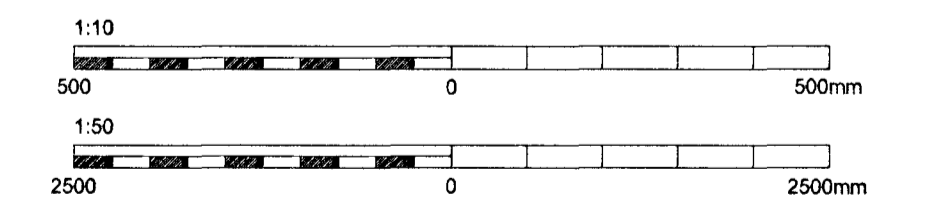
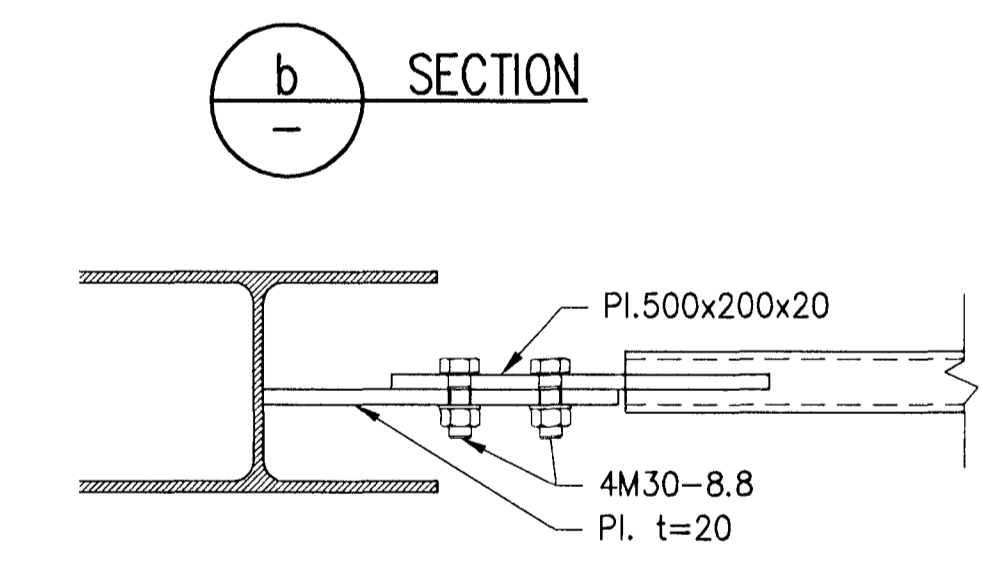
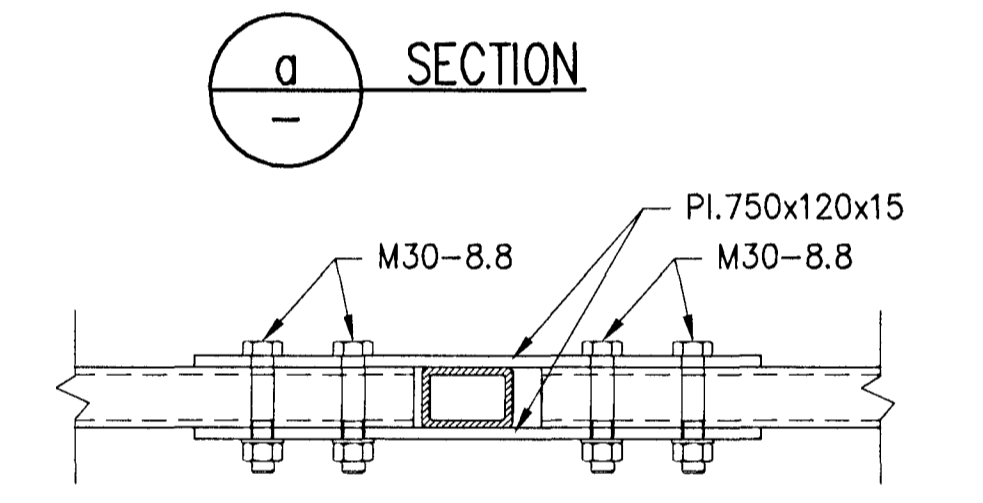
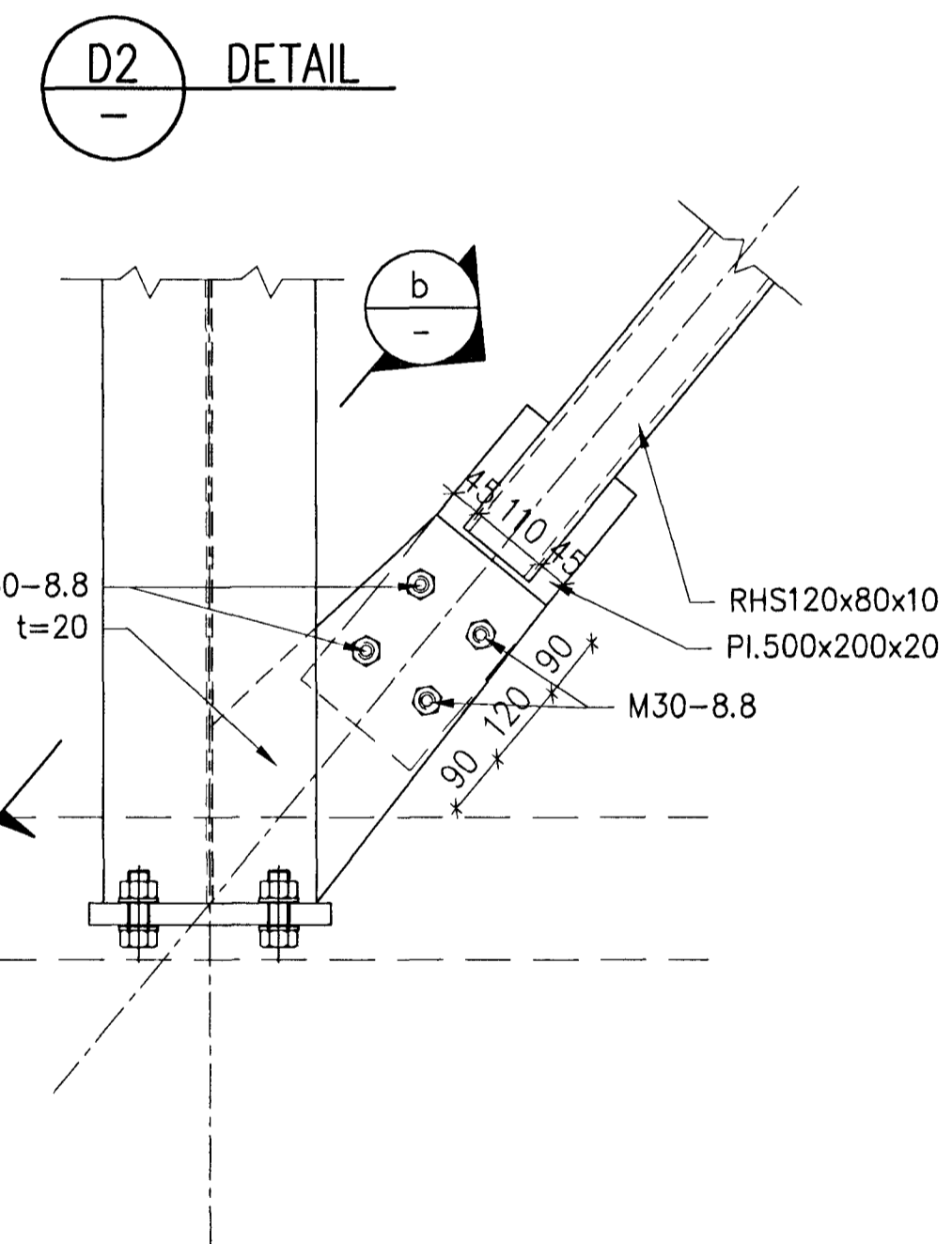
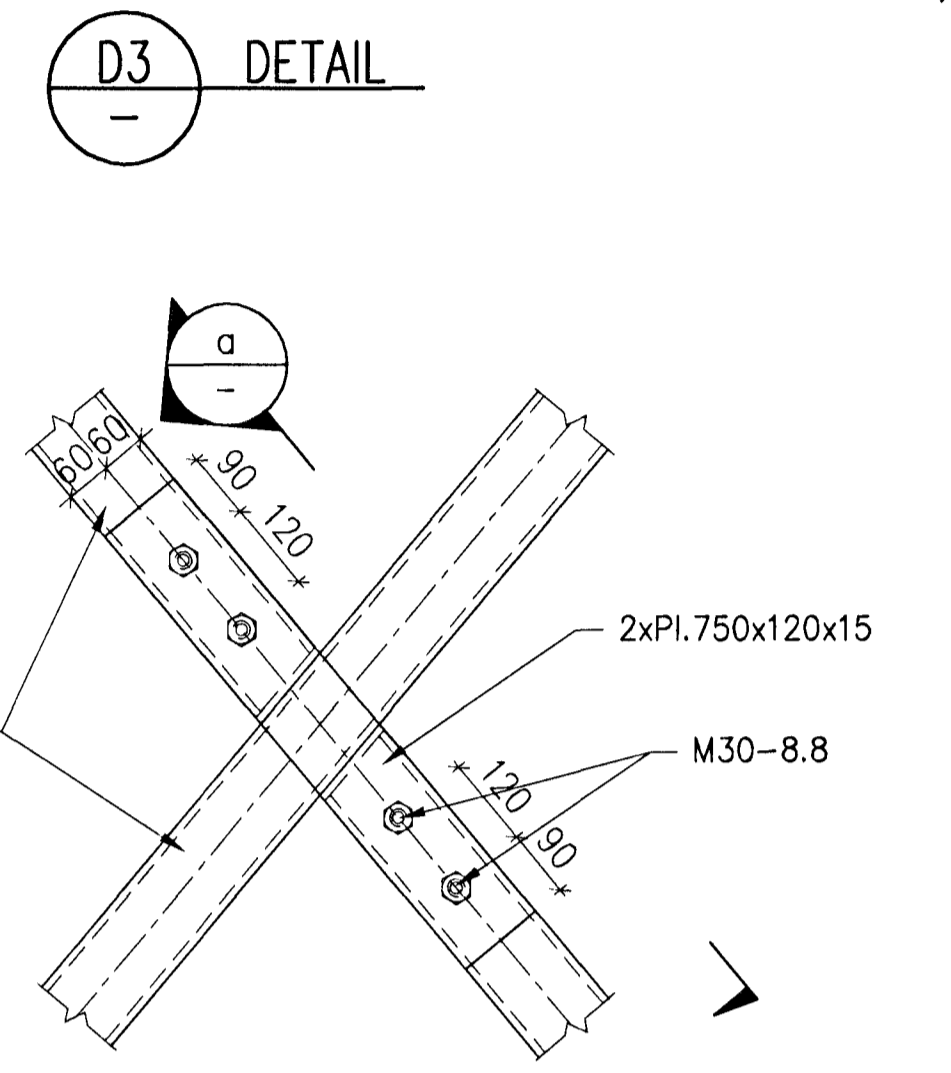
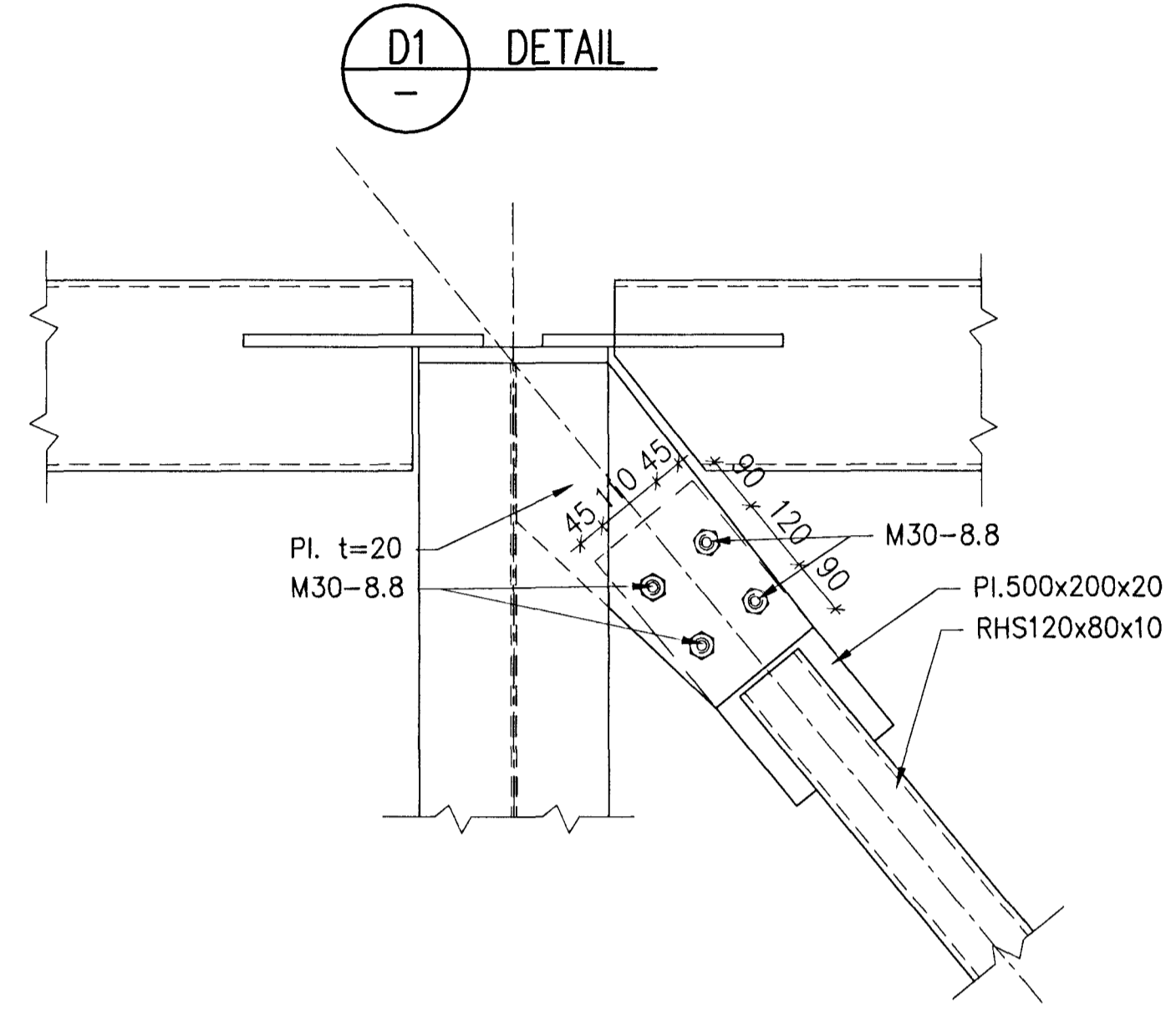
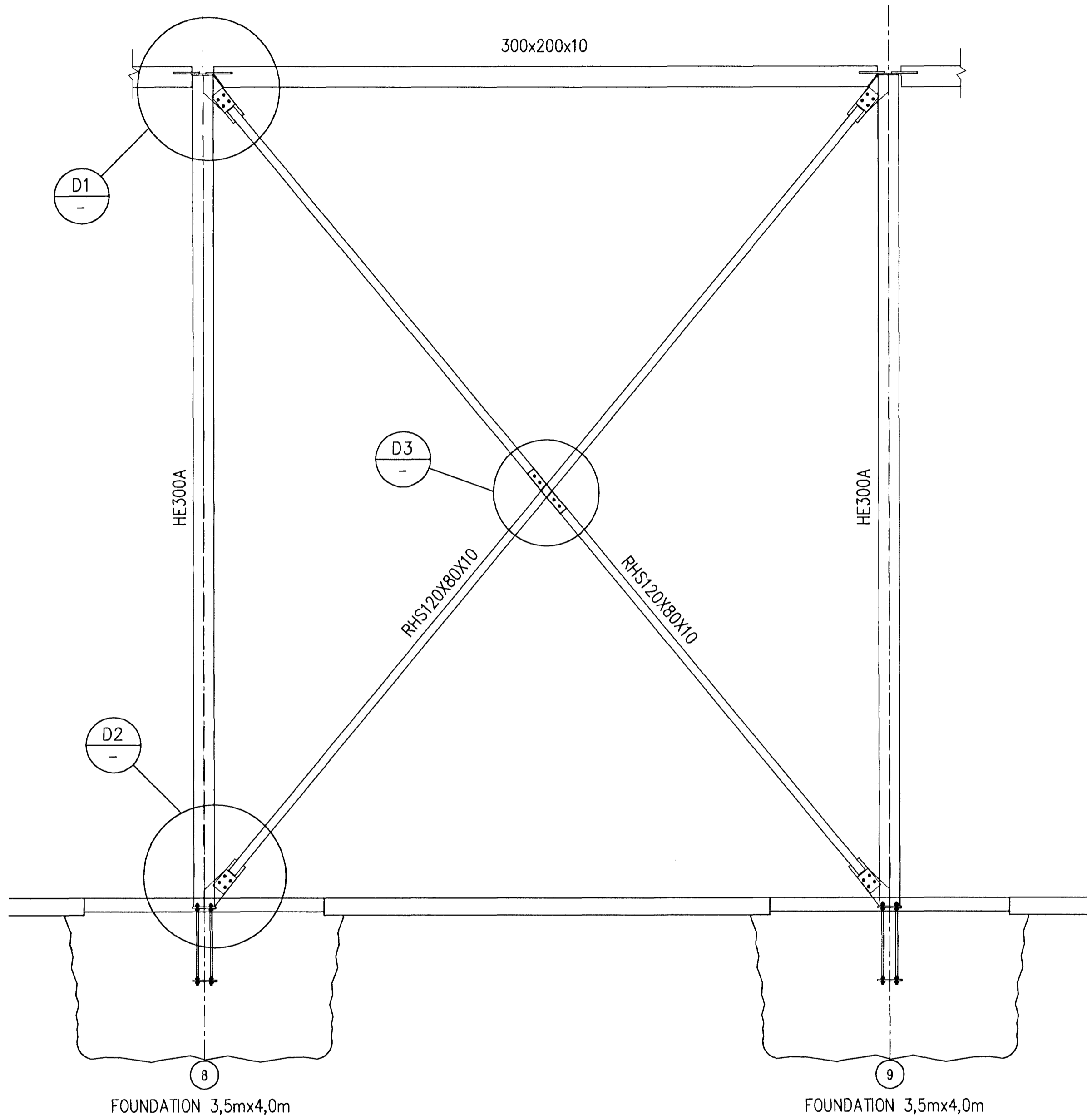


Sambýkkt bann
 19 JAN 2011
 Byggingatúritúinn í Hafnarfirði
 F.H. Hröfður S. Gunnlaugsson

Nick Indrisson
 WI

BRACING IN LINE G1, 1:50



Skýringar:
 Explanations:



This drawing is the property of the Rio Tinto Alcan Iceland Ltd and handed out for personal use only. It may neither be copied nor made available to others without permission of the Rio Tinto Alcan Iceland Ltd. The receiver is liable for any misuse.

Fjöldi stykja Number of pieces	Hlutur Object	Atriði Item	Efni Material	eo.stk Weight	total.f heild Total weight	Althugasemdir Remarks
IV III II I	ICC CASTHOUSE EXTENSION BUILDINGS BUILDING 2, STEEL STRUCTURE BRACING IN LINE G1					Blæð Formet A1 Mkv. 1:10, 1:50 Kostn.nr.-bón.nr. / CChn.-Eq.no.
	Vertuaki / Supplier	HRV				Tekn.nr. vertuaki / Drawn of supplier/Rev. ACC-611-ZA-518-232 C
	Teknað Drawn	GMG/LDB 2010.05.28	Yfirfarð Checked	NI		Sambýkkt Approved AKS no.
	Teknað Drawn		Yfirfarð og þrjú Checked and tied			ISAL Stærðfræðingur Alcan Iceland Ltd IS-222 Hafnarþingur