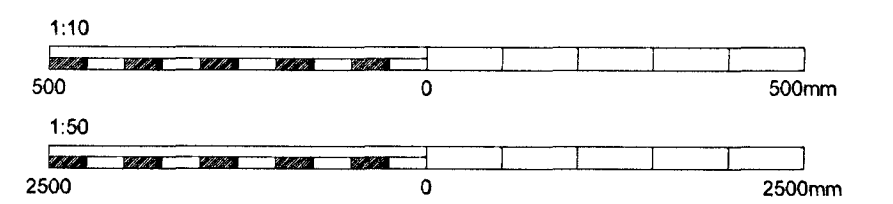
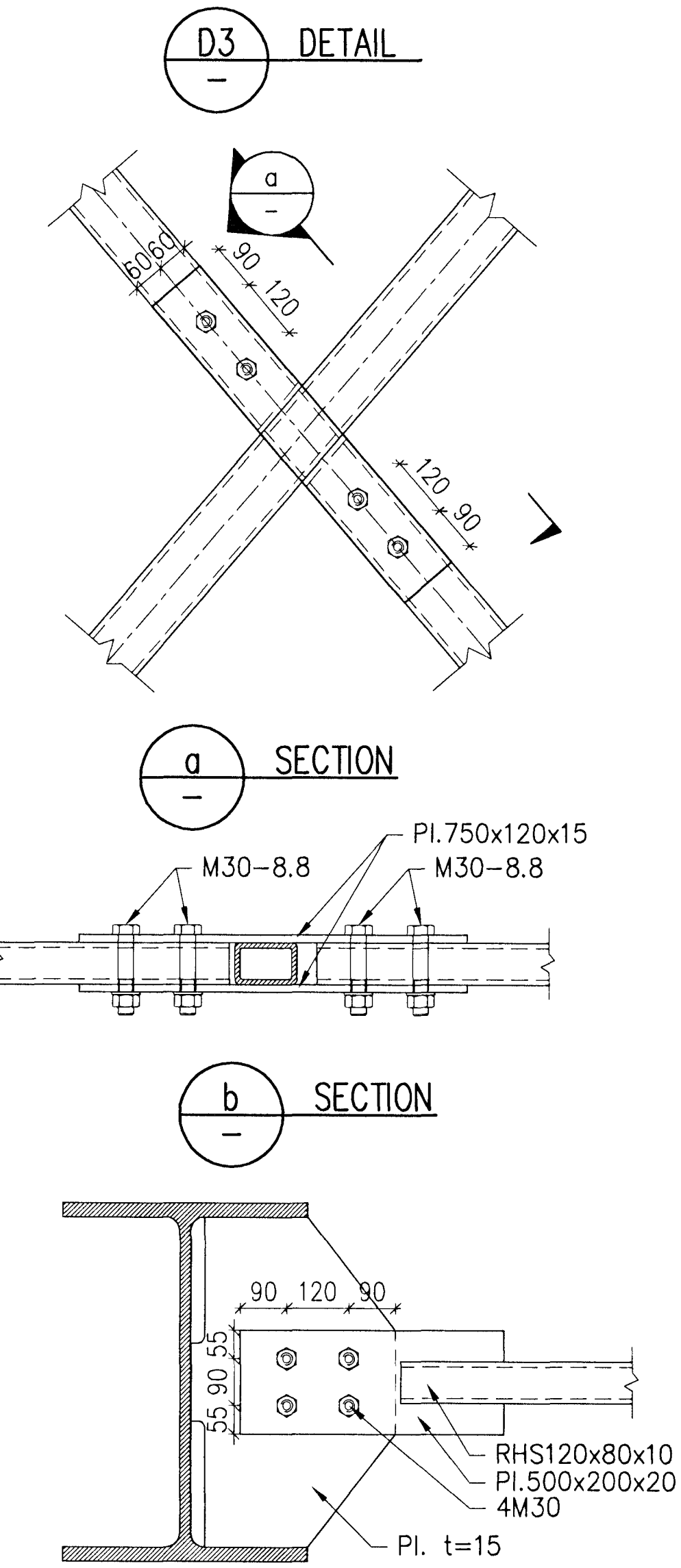
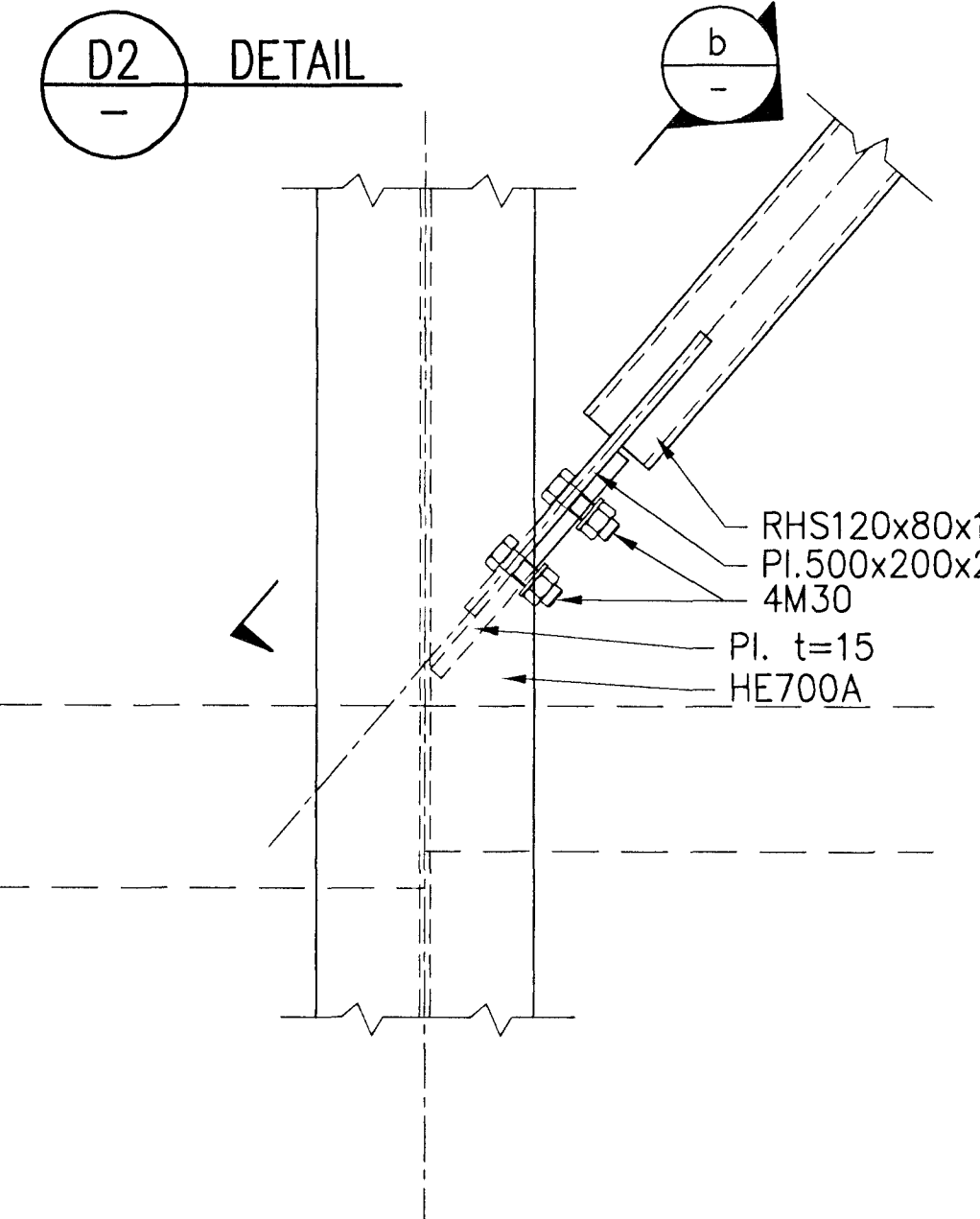
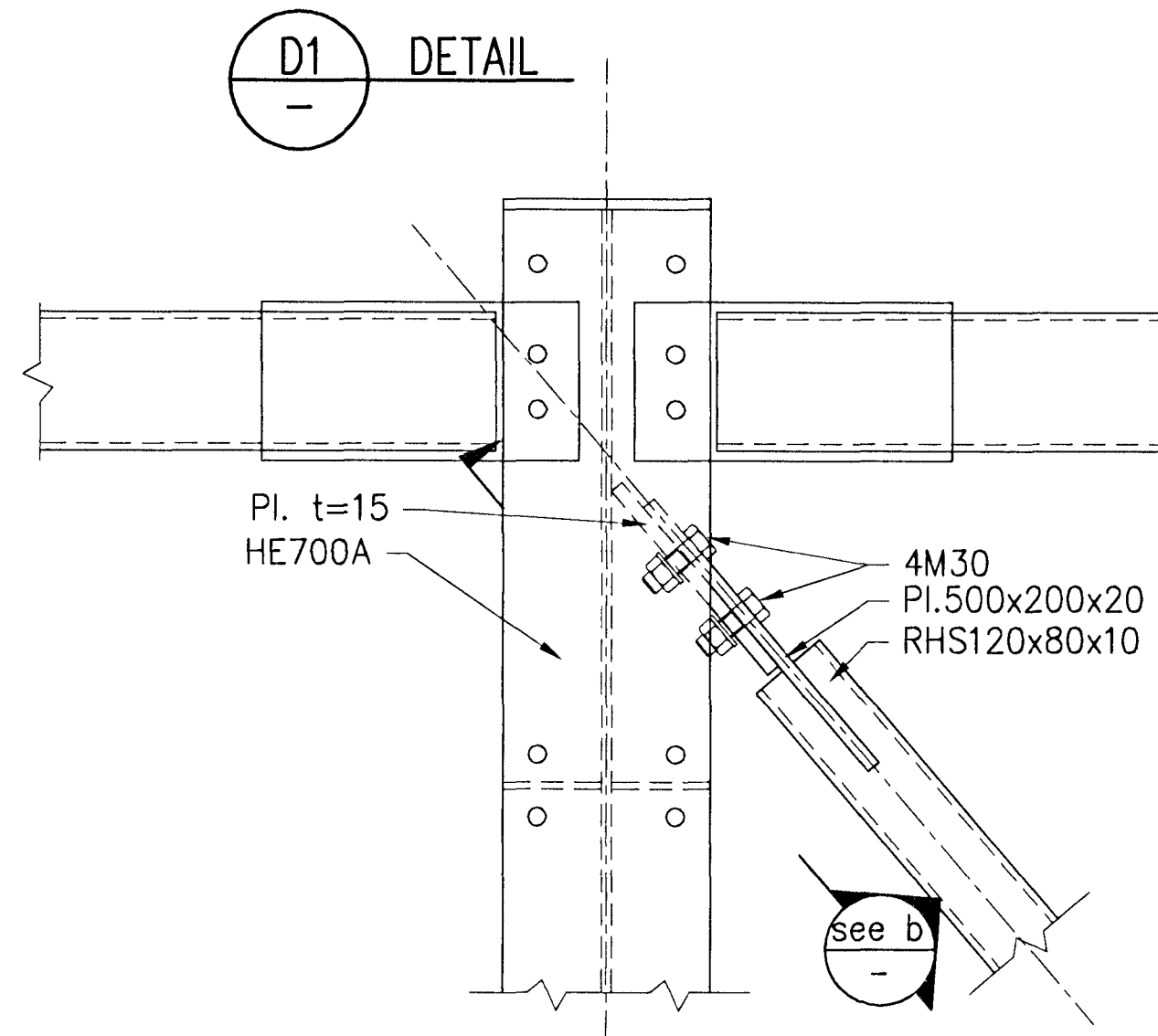
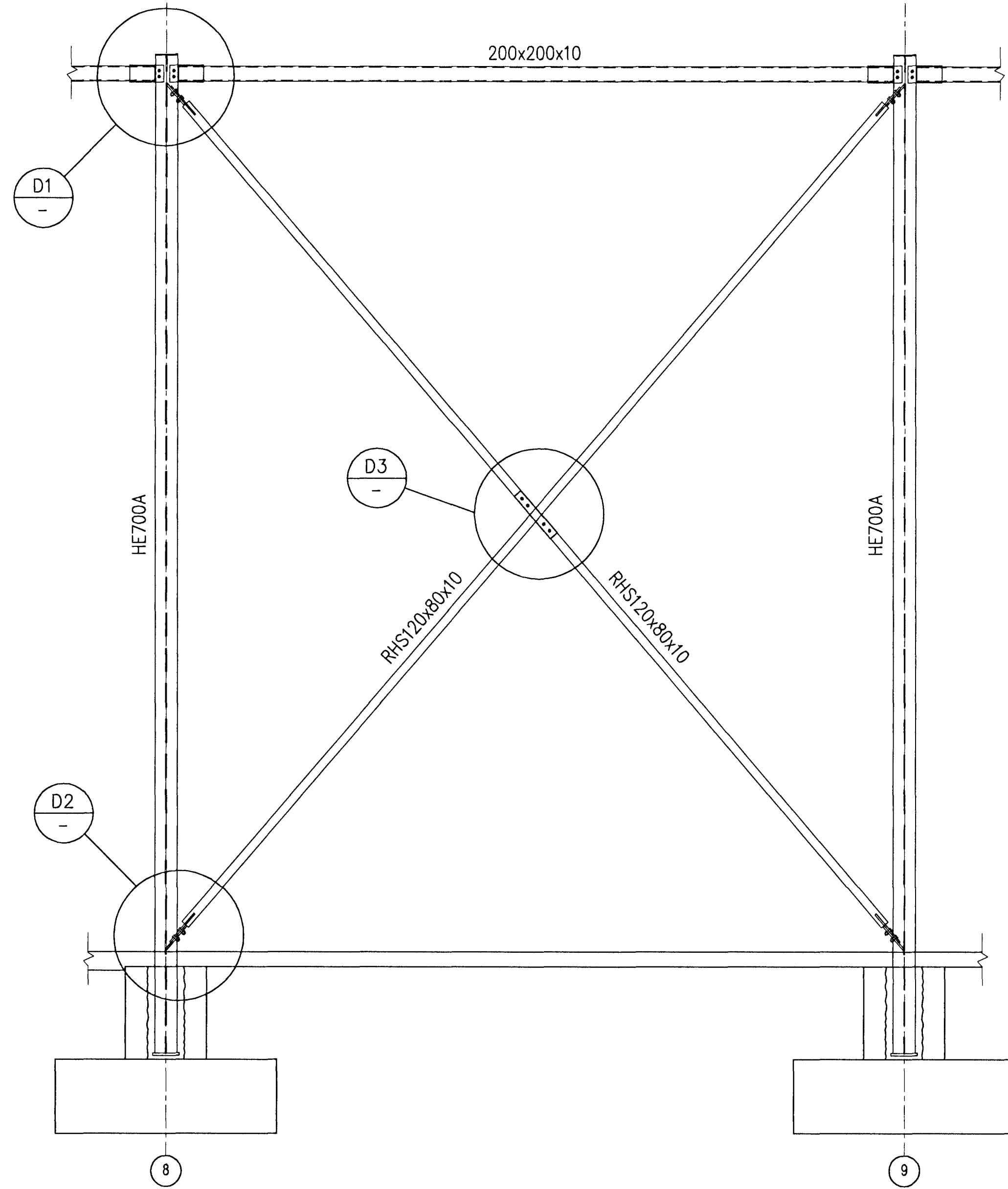


Níels Indriðason
NI

BRACING IN LINE H1, 1:50



Skýringar:
Explanations:



This drawing is the property of the Rio Tinto Alcan Iceland Ltd and handed out for personal use only. It may neither be copied nor made available to others without permission of the Rio Tinto Alcan Iceland Ltd. The receiver is liable for any misuse.

Fjöldi stykkja Number of pieces	Hlutur Object	Afnúmer Item	Efni Material	sg.stk Weight	total.f. heild Scale	Alþugasemdir Remarks
IV III II I	ICC CASTHOUSE EXTENSION BUILDINGS BUILDING 2, STEEL STRUCTURE BRACING IN LINE H1				A1	Mkv. 1:10, 1:50 Kostnaður-báttur / Cóno-Eq.no.
	Vertikal / Reppir	HRV				Tekjur, vertika / Drawn of supp. / Bryt. / Rev. ICC-611-ZA-518-231 C
	Teknað Drawn	GMG/LDB 2010.05.28	Yfirfarð Checked	NI	Samþykkt Approved	ISAL Staður Alcan Iceland Ltd IS-222 Hafnarþorur
	Teknað Drawn		Yfirfarð og þróað Checked and freed			ISAL Staður Alcan Iceland Ltd IS-222 Hafnarþorur

Breyt. Rev.	Breyting Revision	Dags. Date	Samþ. Approved	Notk. heimil. Released
3	issued for construction	10.11.24	Kgp	