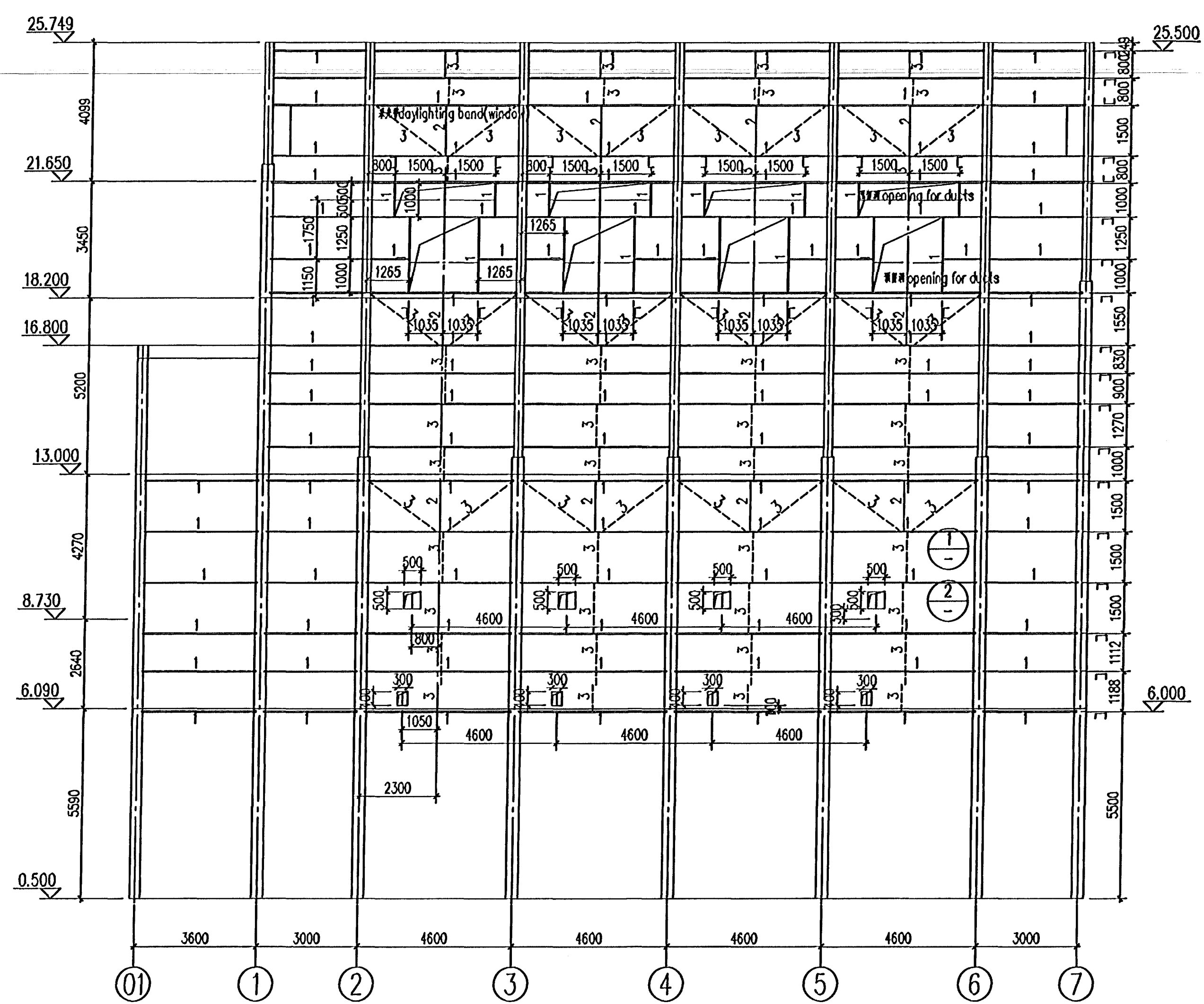
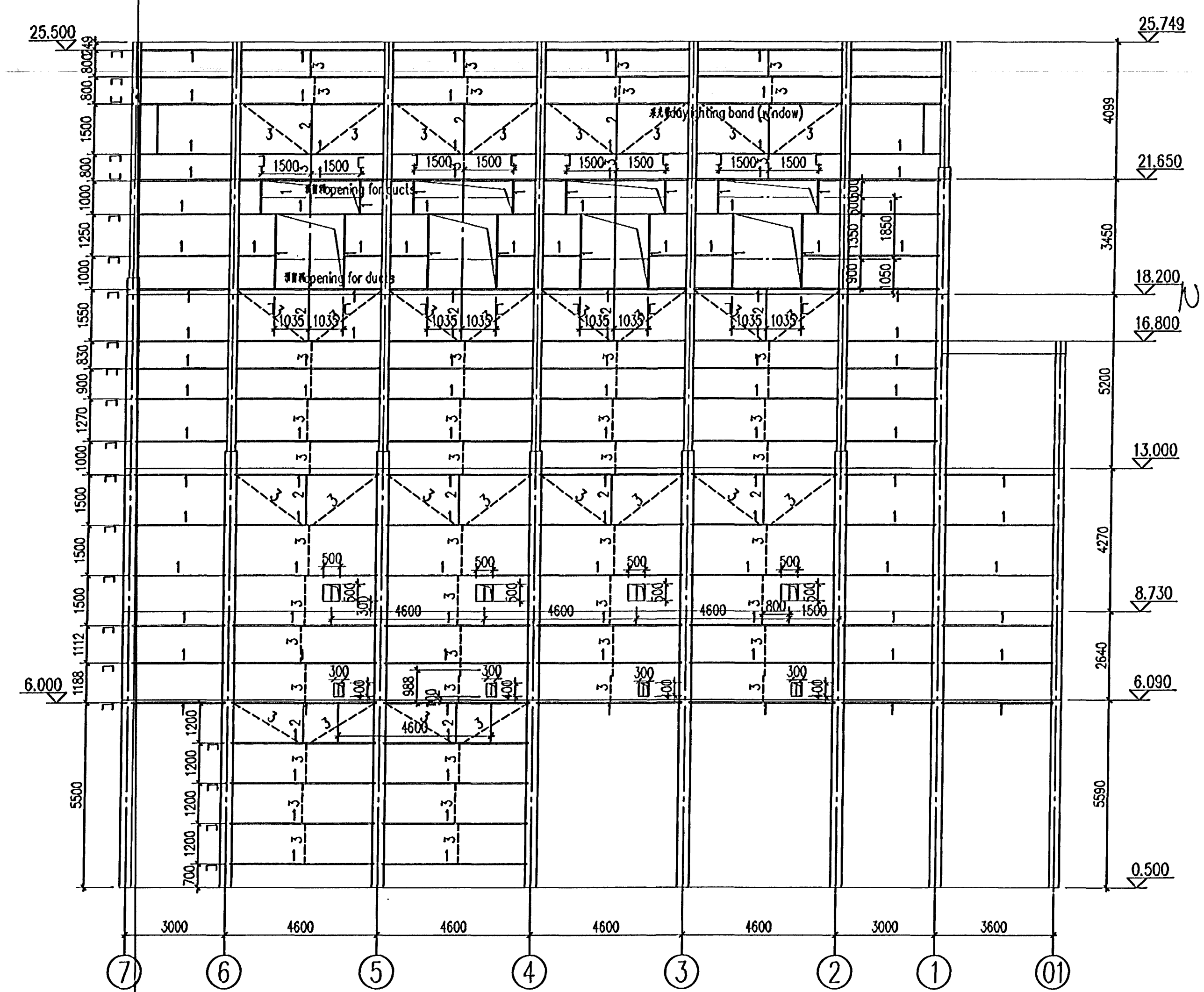


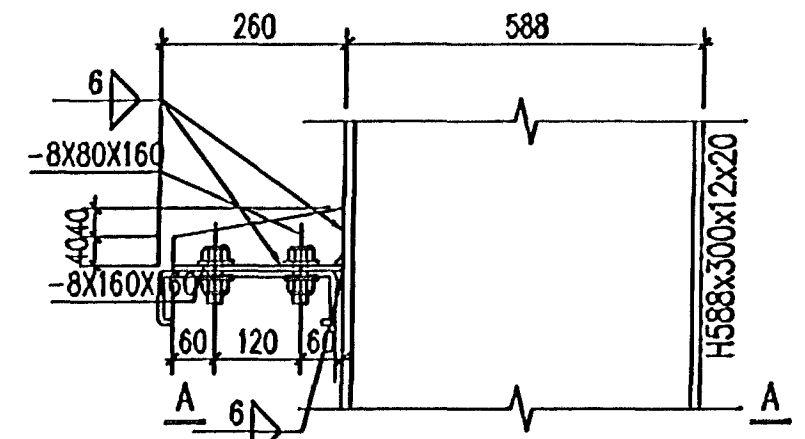
Nick Indriatono
Kt. 181144-3919
NI



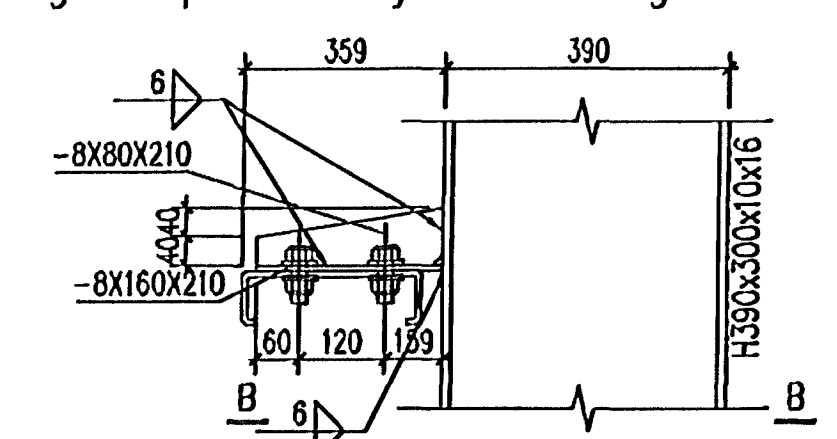
(C) 列墙皮构件布置图 Scale 1:100
C line cladding component layout drawing



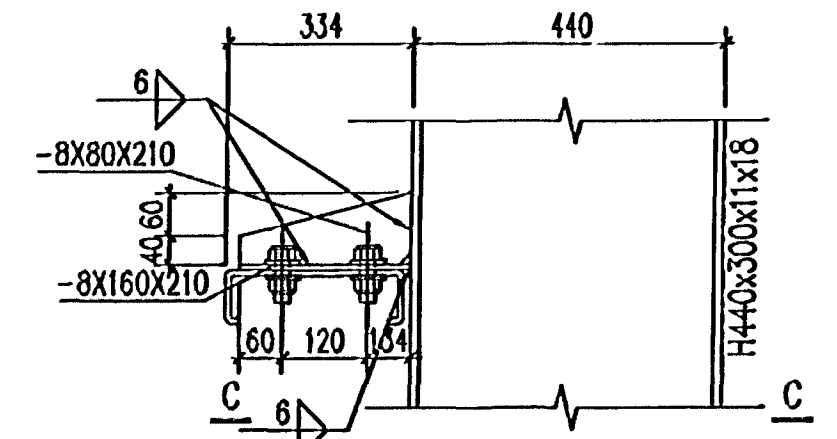
(A) 列墙皮构件布置图 Scale 1:100
A line cladding component layout drawing



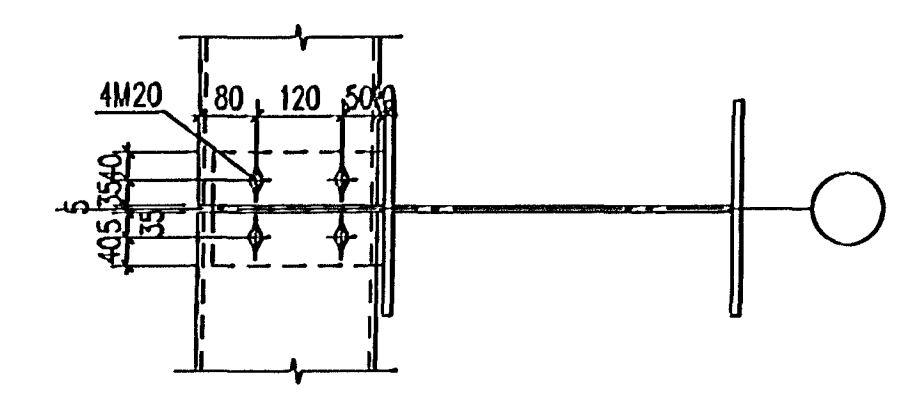
檩条与柱连接示意图之一 Scale 1:10
1st connection of purlin to beams



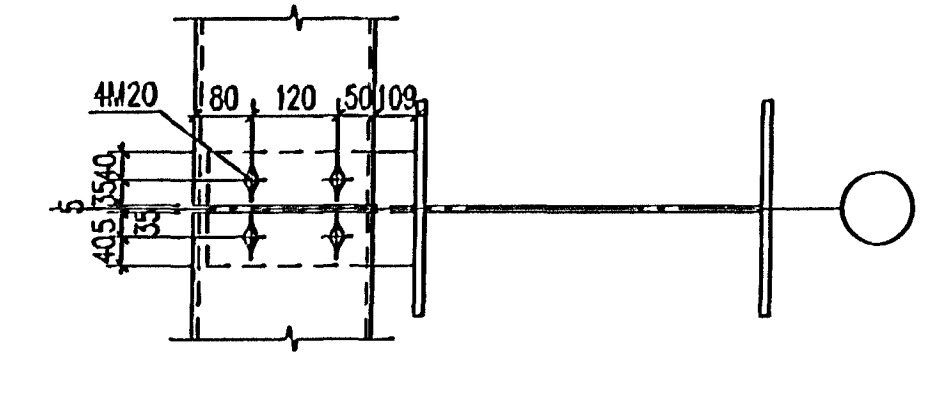
檩条与柱连接示意图之二 Scale 1:10
2nd connection of purlin to beams



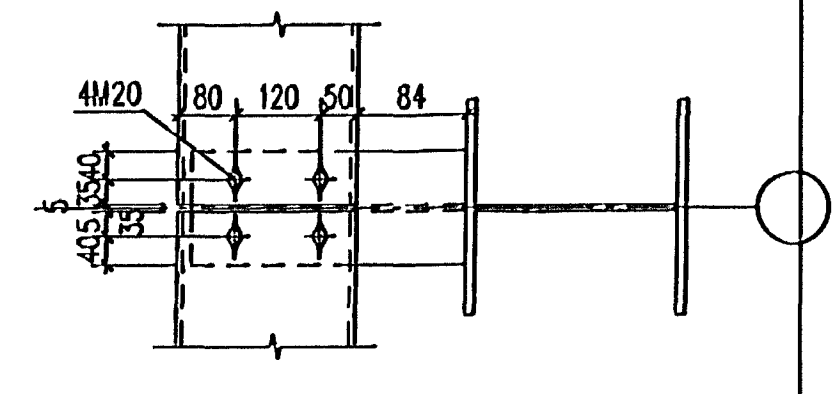
檩条与柱连接示意图之三 Scale 1:10
3rd connection of purlin to beams



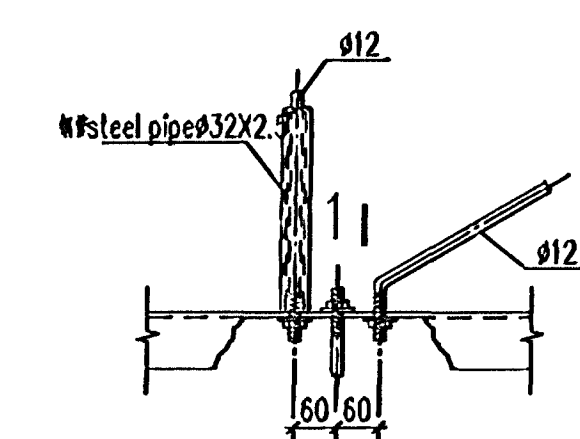
A--A
Scale 1:10



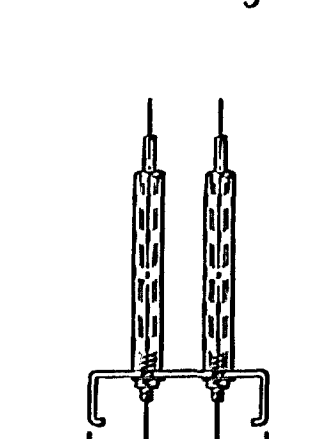
B--B
Scale 1:10



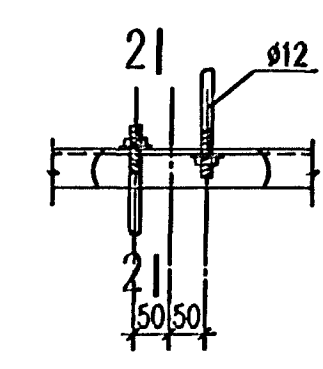
C--C
Scale 1:10



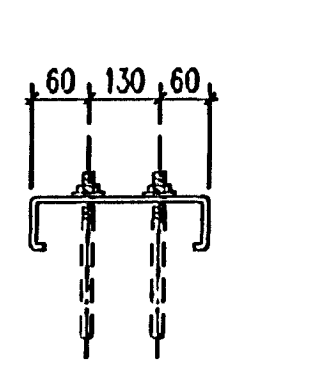
①
Scale 1:10



1-1
Scale 1:10



②
Scale 1:10



2-2
Scale 1:10

说明
1. 相关说明见PU-432-ZA-011-203
NOTES
1. FOR THE RELATIVE NOTES, SEE DWG. IPU-432-ZA-011-203

编号 Serial number	名称 Denomination	截面 Cross section	备注 Remarks
D1	墙皮檩条 (Purlin)	C250x75x20x2.5	
D2	墙架拉条 (Brace)	∅12	双层 double layers
D3	墙架拉条 (Brace)	∅12	双层 double layers

Skýringar:
Legend:

VENDOR DOCUMENT STATUS

1 WORK MAY PROCEED. 2 REVISE AND RESUBMIT. WORK MAY PROCEED SUBJECT TO INCORPORATION OF CHANGES. 3 REVISE AND RESUBMIT. WORK MAY NOT PROCEED.

4 REVIEW NOT REQUIRED. WORK MAY PROCEED. 5 CANCELLED / SUPERSEDED. 6 FOR INFORMATION.

REVIEWED BY: *[Signature]* DATE: 18/7/12

DOCUMENT No: IPU-432-011-ES-VD-0458-sub02 REV:

No.	Rev	Description	Date	By	Appr
7					
6					
5					
4					
3		Issue for review	2012/3/28	HJ	TYF
2		Issue for review	2011/10/17	HJ	TYF
1		Issue for review	2011/08/05	HJ	TYF

This drawing is the property of Rio Tinto Alcan Iceland Ltd. and is not to be copied or used in any way without the prior written permission of Rio Tinto Alcan Iceland Ltd. The user is liable for any misuse.

Scale: A1 1:100; 1:10
Dimensions without tolerance according to ISO 2768-1 medium.

HRV ENGINEERING

IB

Designing / Date: 8.5.2011
Hatched / Designed: HJ
Varköld / Supplier: Brian B. & Einarsson Ltd. (Einarsson & Einarsson)
Sampykkt / Approved: ZOL
Hatched / Part of:

IPU-430 Gas Treatment Centers
Steel Structure
GICa-Filter Unit side wall cladding layout drawing
General Layout and Details

Project no.: / Rev. no.: / Issue date:
Kostur: - / Búnað: -
AKS

RioTinto Alcan

ESL: / Drawn: / Checked: / Approved: / Date: / Scale: / Rev. no.: / Issue date: / Part of: