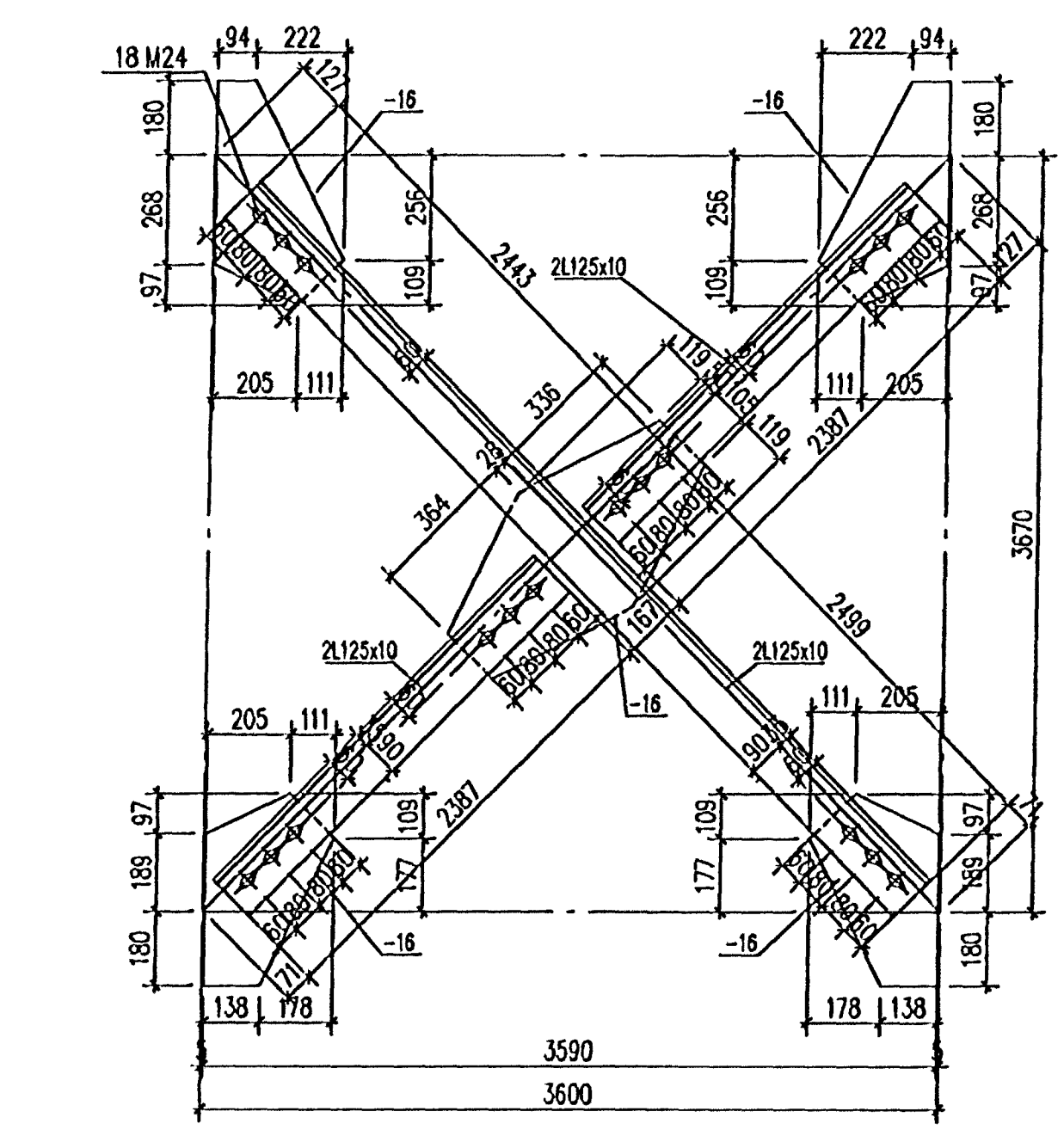
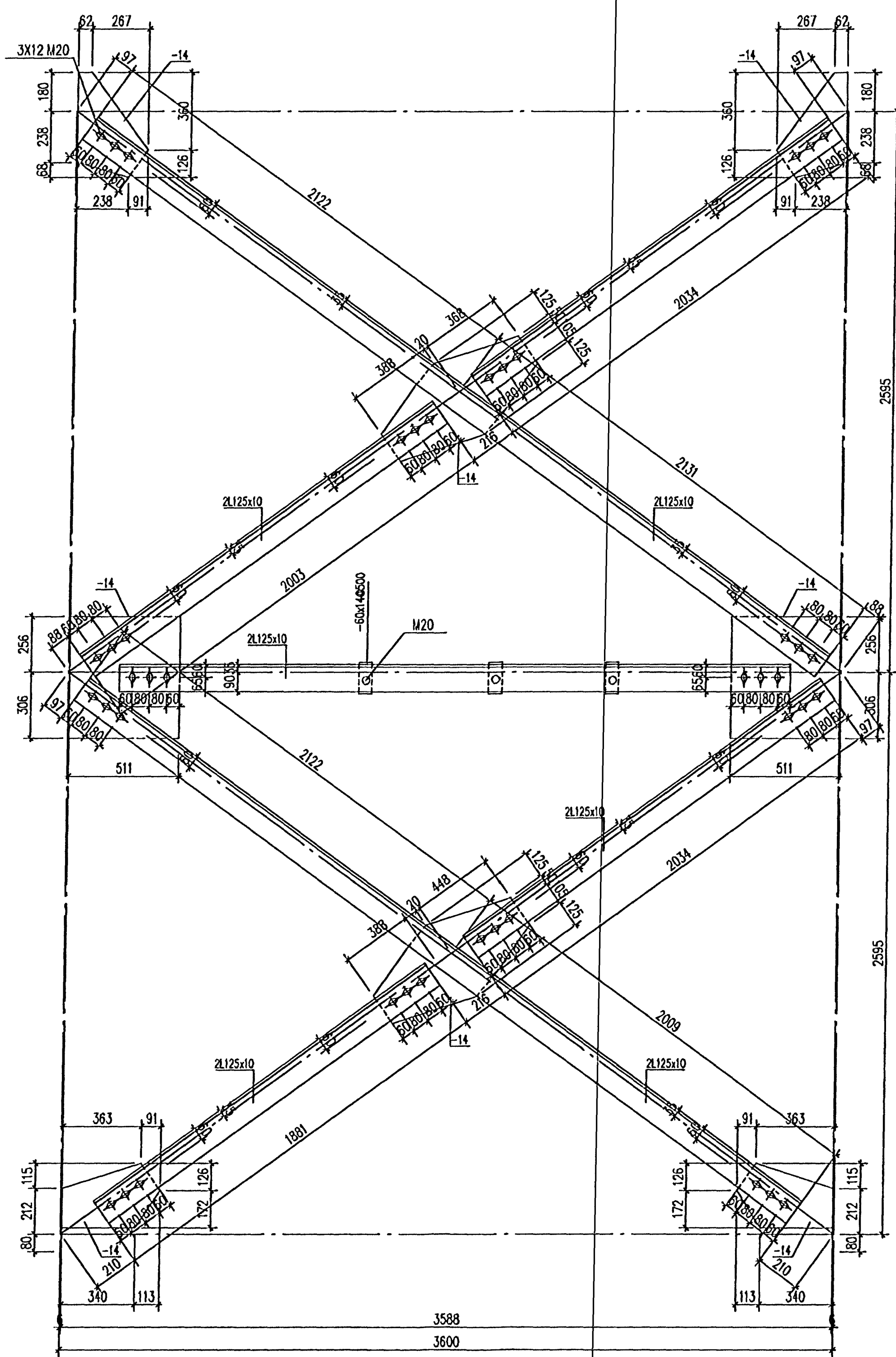


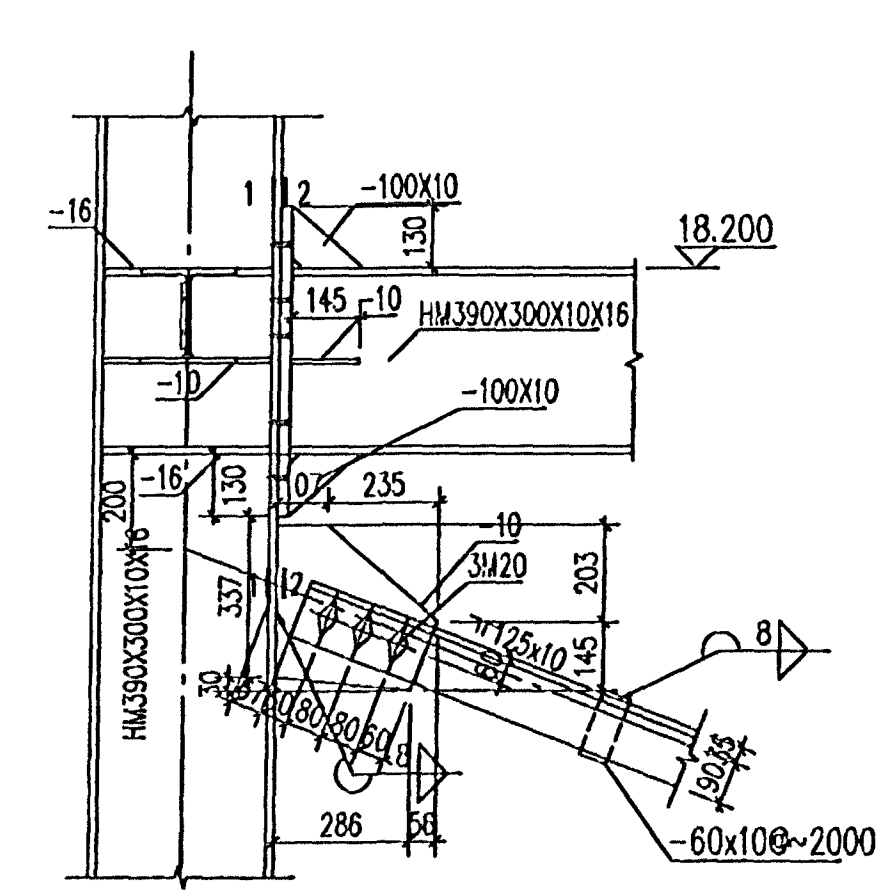
ZC-8
Scale 1:15



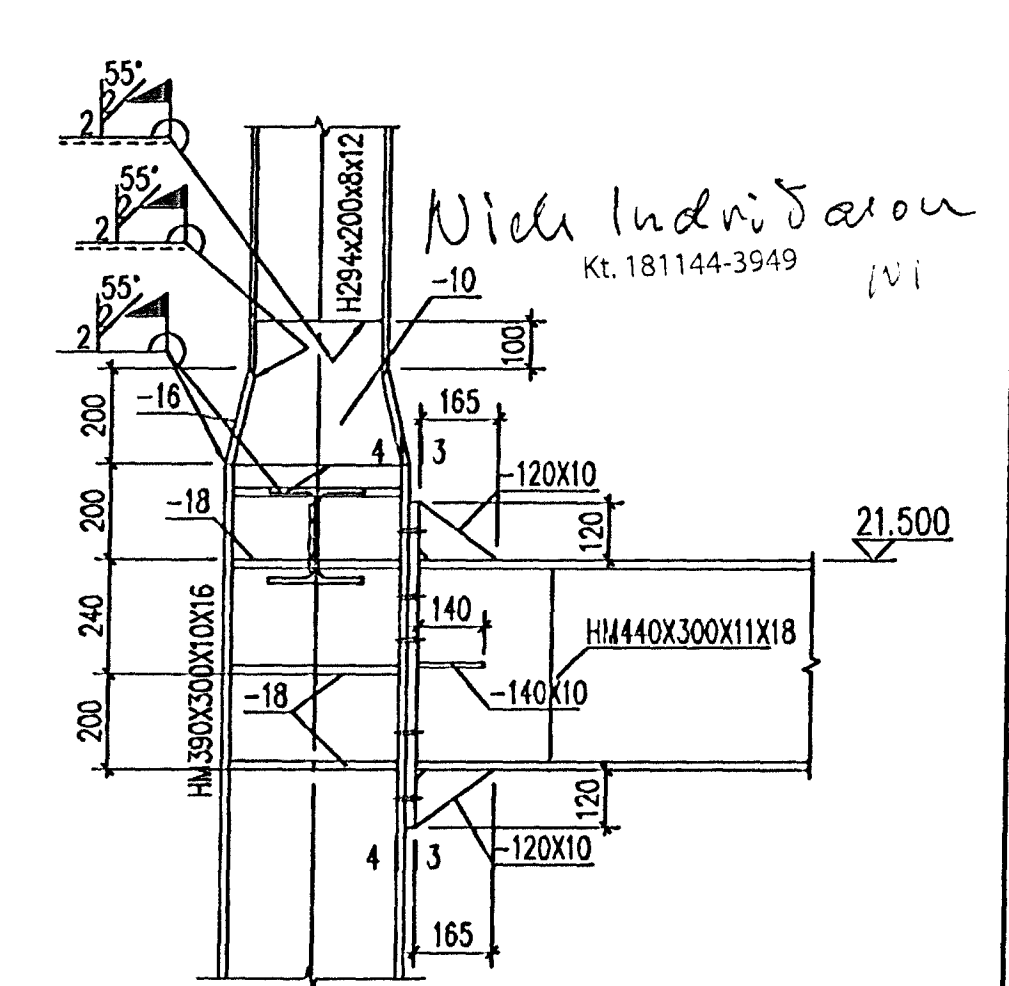
ZC-7
Scale 1:15



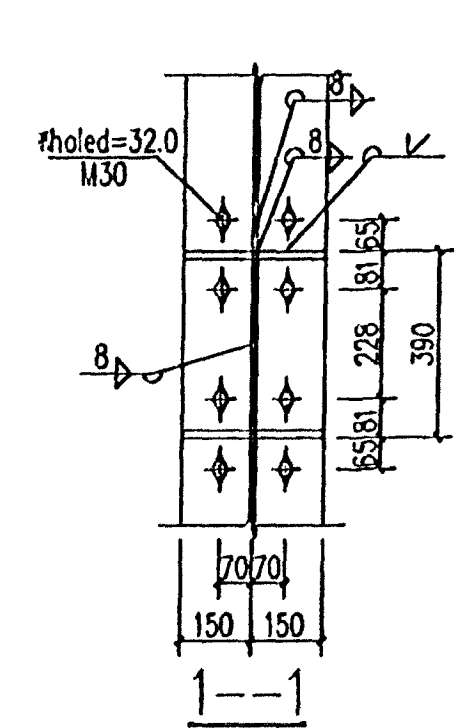
ZC-9
Scale 1:15



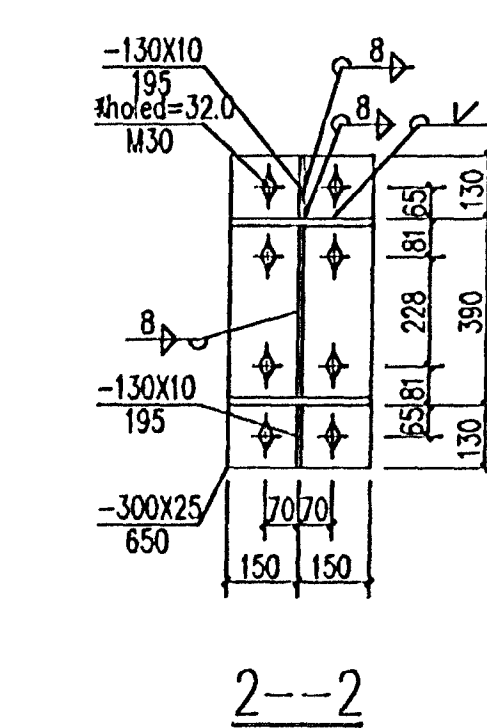
11
203



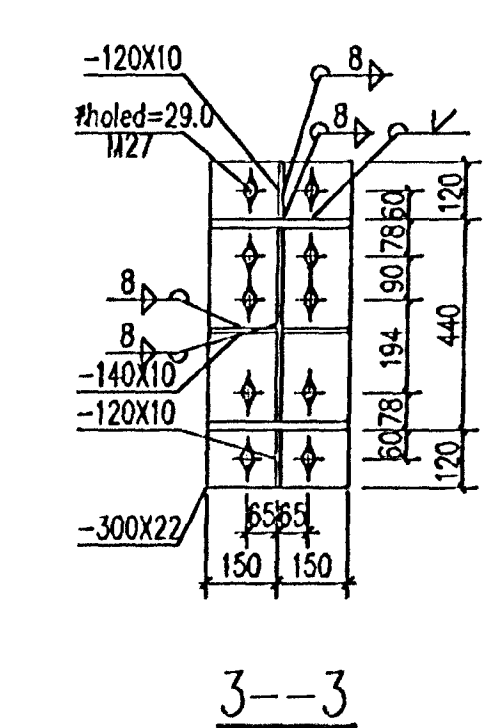
28
203



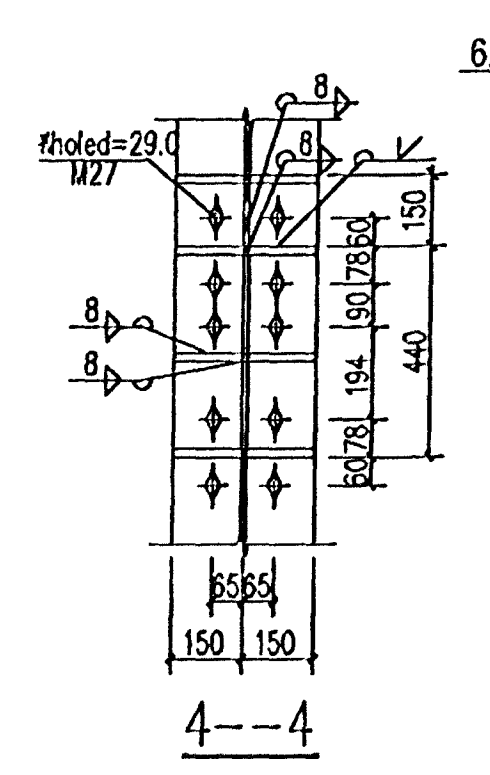
1--1



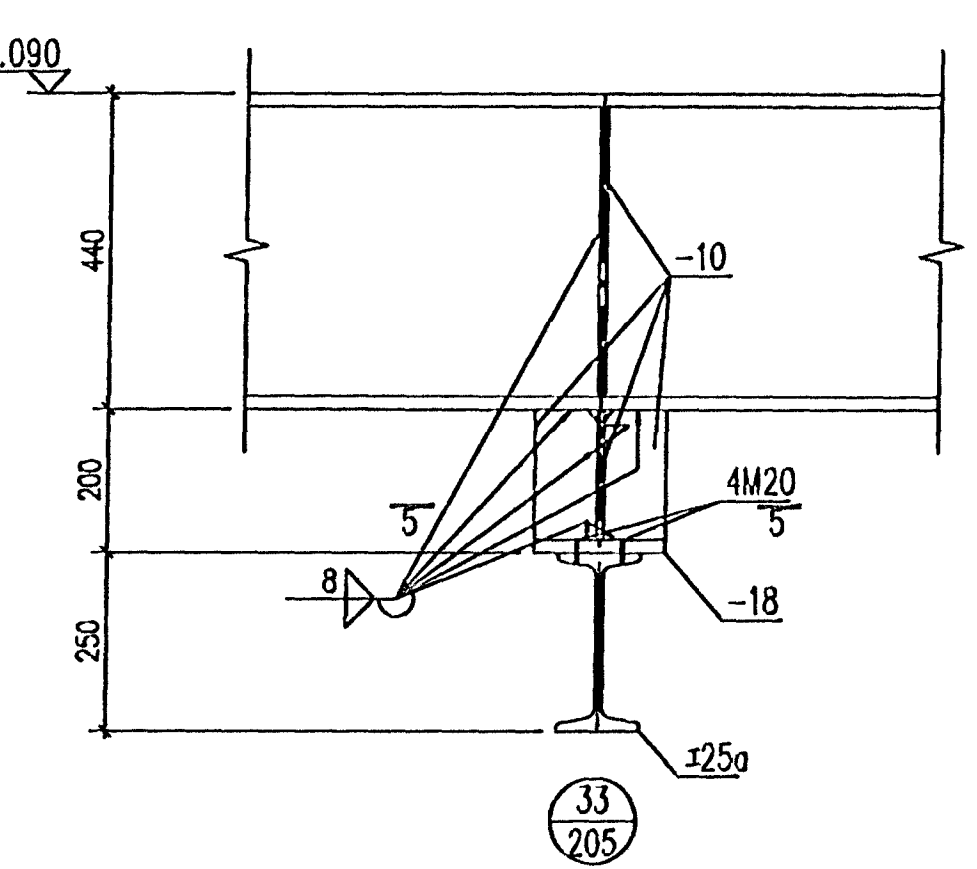
2--2



3--3



4--4



5--5

说明
1. 相关说明见PU-432-ZA-011-203
NOTES
1.FOR THE RELATIVE NOTES,SEE DWG.IPU-432-ZA-011-205

Hatch Vendor Document Status

Permission to proceed does not constitute acceptance or approval of design details, calculations, analysis, test methods, or materials developed or selected by CONTRACTOR / VENDOR, and does not relieve CONTRACTOR / VENDOR from all contractual obligations.

Legend:

1 <input type="checkbox"/> WORK MAY PROCEED.	4 <input type="checkbox"/> REVIEW NOT REQUIRED. WORK MAY PROCEED.
2 <input type="checkbox"/> REVISE AND RESUBMIT. WORK MAY PROCEED SUBJECT TO INCORPORATION OF CHANGES.	5 <input type="checkbox"/> CANCELLED / SUPERSEDED.
3 <input type="checkbox"/> REVISE AND RESUBMIT. WORK MAY NOT PROCEED.	6 <input type="checkbox"/> FOR INFORMATION.

REVIEWED BY: *[Signature]* DATE: *04/31/12*

DOCUMENT No: IPU-432-011-ES-VD-1050-sub01 REV:

Slip No	Rev No	Description	Designing	Date	How/Who	Yif	Yif	Yif	Yif	Yif	Yif	Yif
7												
6												
5												
4												
3		AMR issue for review		2012/3/22	BZC	LOS						
2		AMR issue for review		2011/10/17	HJ	TYF						
1		AMR issue for review		2011,08,05	HJ	TYF						

This drawing is the property of Rio Tinto Alcan Iceland Ltd. and loaned out for personal use only. It may not be copied, reproduced, or made available to others without permission of Rio Tinto Alcan Iceland Ltd. The receiver is liable for any misuse.

Scale: 1:30, 1:20, 1:15
Dimensions without tolerance according to ISO 2268-1 medium.

Designing / Date: 8.5.2011
Hatched / Designed: HJ / HJ
Workshop / Supplier: Bón Brá Eskenard Protektia Enging & Gagn
IPU-432-ZA-011-215
Sambær / Approved: ZDL
Full set / Part of:

IPU-430 Gas Treatment Centers
Steel structure
GIC10-Filter Unit 5th of the frame joint drawing
Detailed drawing

HRV ENGINEERING
B

Rio Tinto Alcan

Flakur nr.: Bók nr.: Nasta blaz.:
Kostur-Eign. / Búna.-Eign.:
ANS

ISL: Tólkun, ISL, Áhersa of ISL, Breyt./Rev.
Alcan Iceland Ltd.
Stromavík
15-222 Hafnarfjarður
Ísland

ISL: Sambær, dag / ISL Áhersla, átt.
C