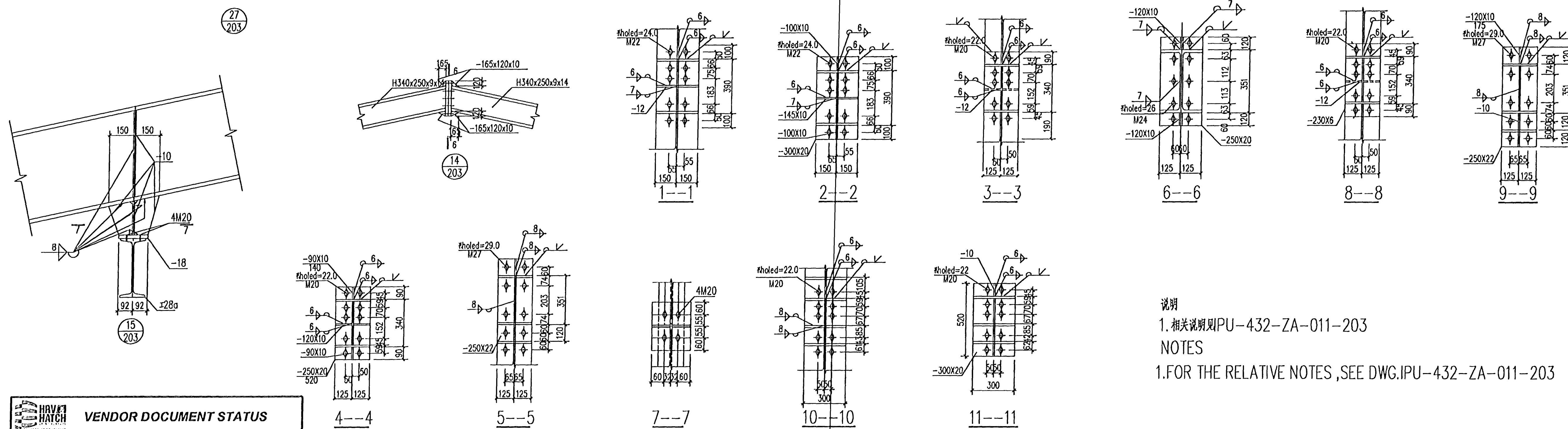
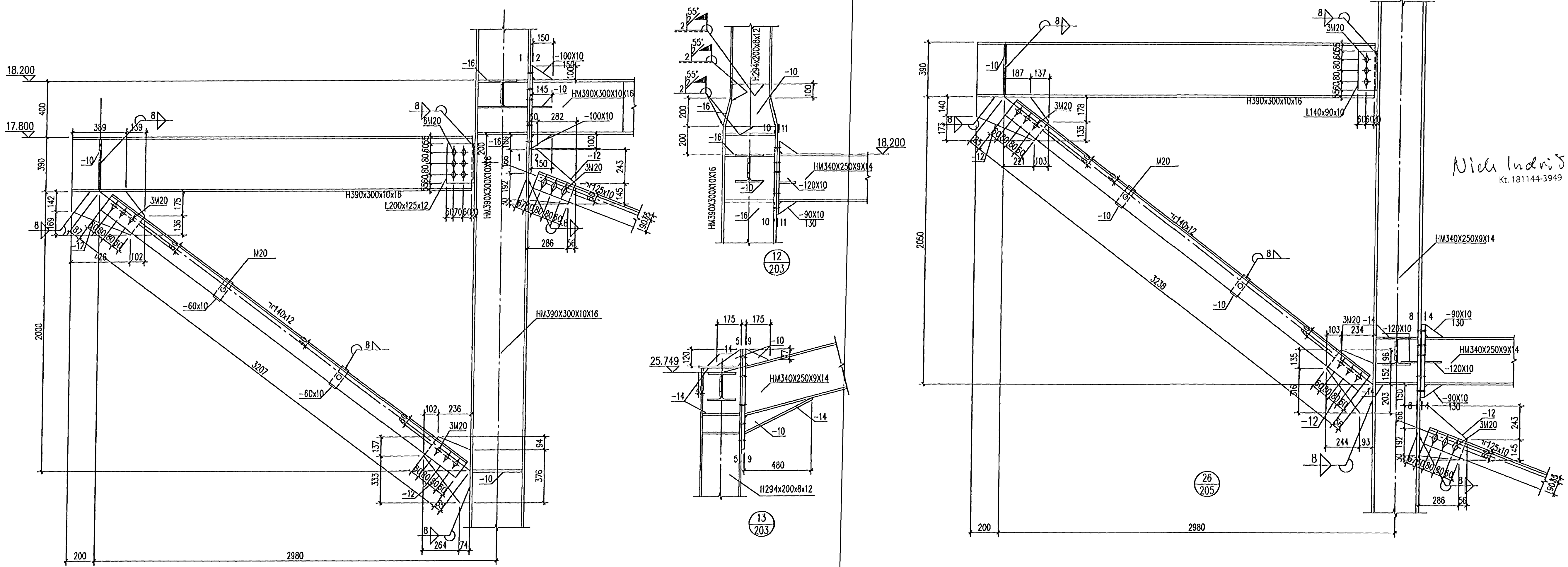


Níel Indriðason  
 Kt. 181144-3949  
 NI



说明  
 1. 相关说明见PU-432-ZA-011-203  
 NOTES  
 1. FOR THE RELATIVE NOTES, SEE DWG. IPU-432-ZA-011-203

VENDOR DOCUMENT STATUS	
1 <input type="checkbox"/> WORK MAY PROCEED.	4 <input checked="" type="checkbox"/> REVIEW NOT REQUIRED. WORK MAY PROCEED.
2 <input type="checkbox"/> REVISE AND RESUBMIT. WORK MAY PROCEED SUBJECT TO INCORPORATION OF CHANGES.	5 <input type="checkbox"/> CANCELLED / SUPERSEDED.
3 <input type="checkbox"/> REVISE AND RESUBMIT. WORK MAY NOT PROCEED.	6 <input type="checkbox"/> FOR INFORMATION.
REVIEWED BY: <i>[Signature]</i>	DATE: <i>2/3/12</i>
DOCUMENT No: IPU-432-011-ES-VD-0026-sub02	REV:

Slg nr	Uppf. / Description	Þýðing / Date	Man/inn / Drawn	Yfir / Check	Stofn / Work Item	Stofn / Work Item
7						
6						
5						
4						
3	ANNA Issue for review	2012/3/23	BZC	LOS		
2	ANNA Issue for review	2011/10/17	HJ	TYF		
1	ANNA Issue for review	2011/08/05	HJ	TYF		

This drawing is the property of Rio Tinto Alcan and is loaned out for personal use only. It may not be copied, reproduced, or distributed in any form without the prior written permission of Rio Tinto Alcan. The receiver is liable for any misuse. Scale: Dimensions without tolerances according to ISO 2768-1 medium.

**HRV ENGINEERING**

Designing / Date: 8.5.2011  
 Drawn / Designed: HJ  
 Checked / Approved: HJ

IPU-430 Gas Treatment Centers  
 Steel structure  
 GTC1-Filter Unit 2nd of the frame joint drawing  
 Detailed drawing

**RioTinto Alcan**

Project No: IPU-432-ZA-011-203  
 Rev: 01  
 Date: 2012/03/23

Skýringar:  
 Legend: