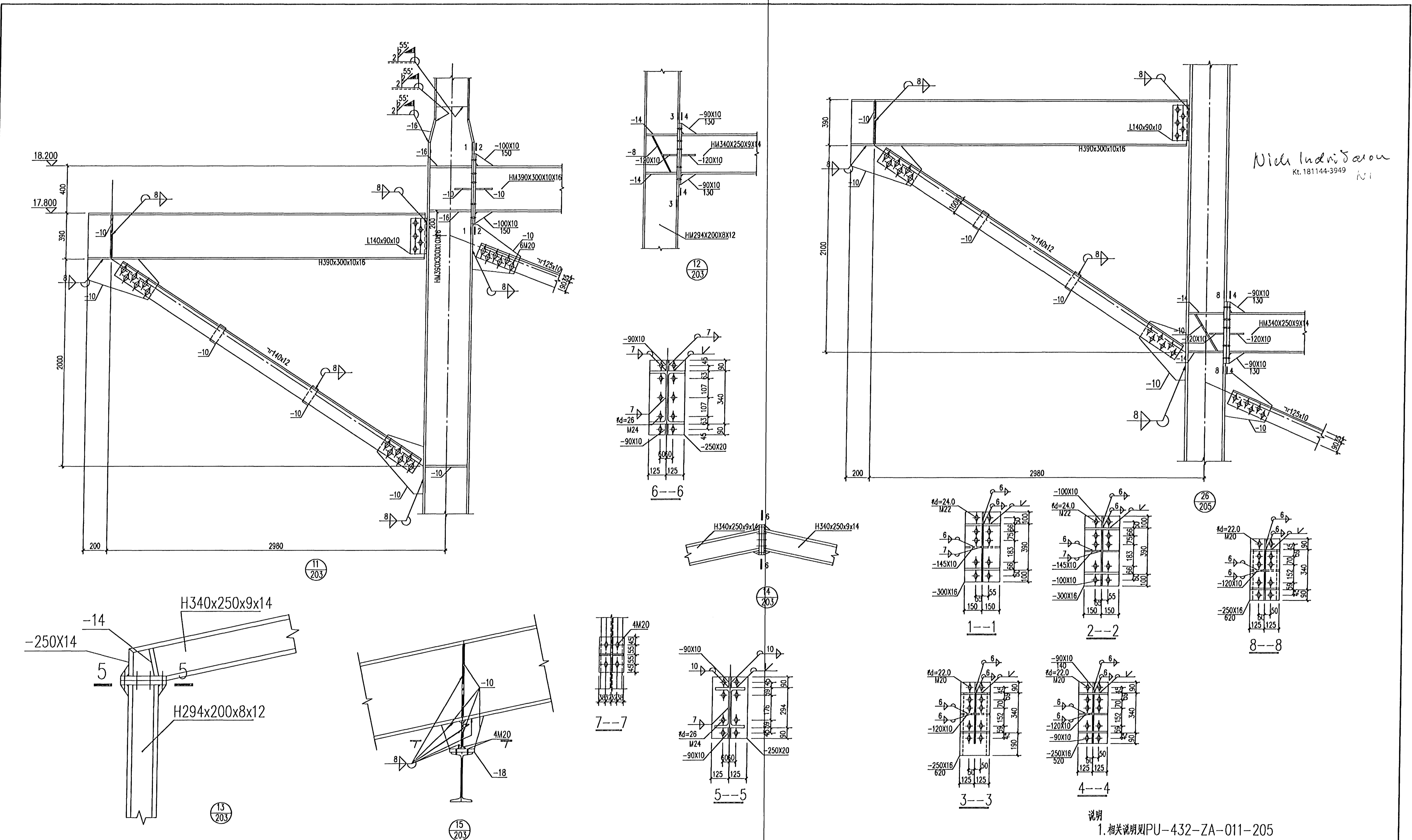


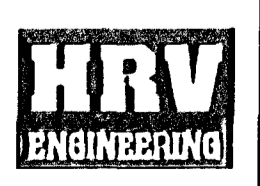
Níels Indriðason
Kt. 181144-3949



说明
1. 相关说明见 IPU-432-ZA-011-205
NOTES
1. FOR THE RELATIVE NOTES, SEE DWG. IPU-432-ZA-011-

VENDOR DOCUMENT STATUS	
1 <input type="checkbox"/> WORK MAY PROCEED.	4 <input type="checkbox"/> REVIEW NOT REQUIRED.
2 <input type="checkbox"/> REVISE AND RESUBMIT. WORK MAY PROCEED SUBJECT TO INCORPORATION OF CHANGES.	5 <input type="checkbox"/> CANCELLED / SUPERSEDED.
3 <input type="checkbox"/> REVISE AND RESUBMIT. WORK MAY NOT PROCEED.	6 <input type="checkbox"/> FOR INFORMATION.
REVIEWED BY: <i>[Signature]</i> DATE: 2012-07-27	
DOCUMENT No: IPU-432-011-ES-VD-0024-sub01 REV:	

Rev	Description	Designing Date	Drawn	Checked	YTD	Work Item	Work Item
7							
6							
5							
4							
3							
2							
1	For Produce	2011.08.11	HJ	TYF			



This drawing is the property of Rio Tinto Alcan Iceland Ltd. and loaned out for personal use only. It may neither be copied nor made available to others without permission of Rio Tinto Alcan Iceland Ltd. The receiver is liable for any misuse.	
Scale: A1	Ratio: 1:1
Dimensions without tolerances according to ISO 2768-1 medium.	

Designing / Date 8.5.2011	Harmon / Designed HJ	Tekn / Drawn HJ	IPU-430 Gas Treatment Centers GTC1a 钢框架 框架节点图之二 GTC1a Steel Frame 2nd of the frame nodal point charts	Project no: / Bldg no: / Node No: /
Verkfalli / Supplier Dein Bólá Eignar og Væðingartæknifélagið o.á. /	Teknunarvertíðni / Supplier name IPU-432-ZA-011-210	Samþykkt / Approved ZDL	Engl. type Detailed chart	Kostun. - Con. / Búna. - Eq. no AKS
Rio Tinto Alcan			Alcan Iceland Ltd Höfn 823 Hafnarvegur Ísland	Alcan, ISAL, Alcan of ISAL / Breyt./Rev C

Skýringar:
Legend: