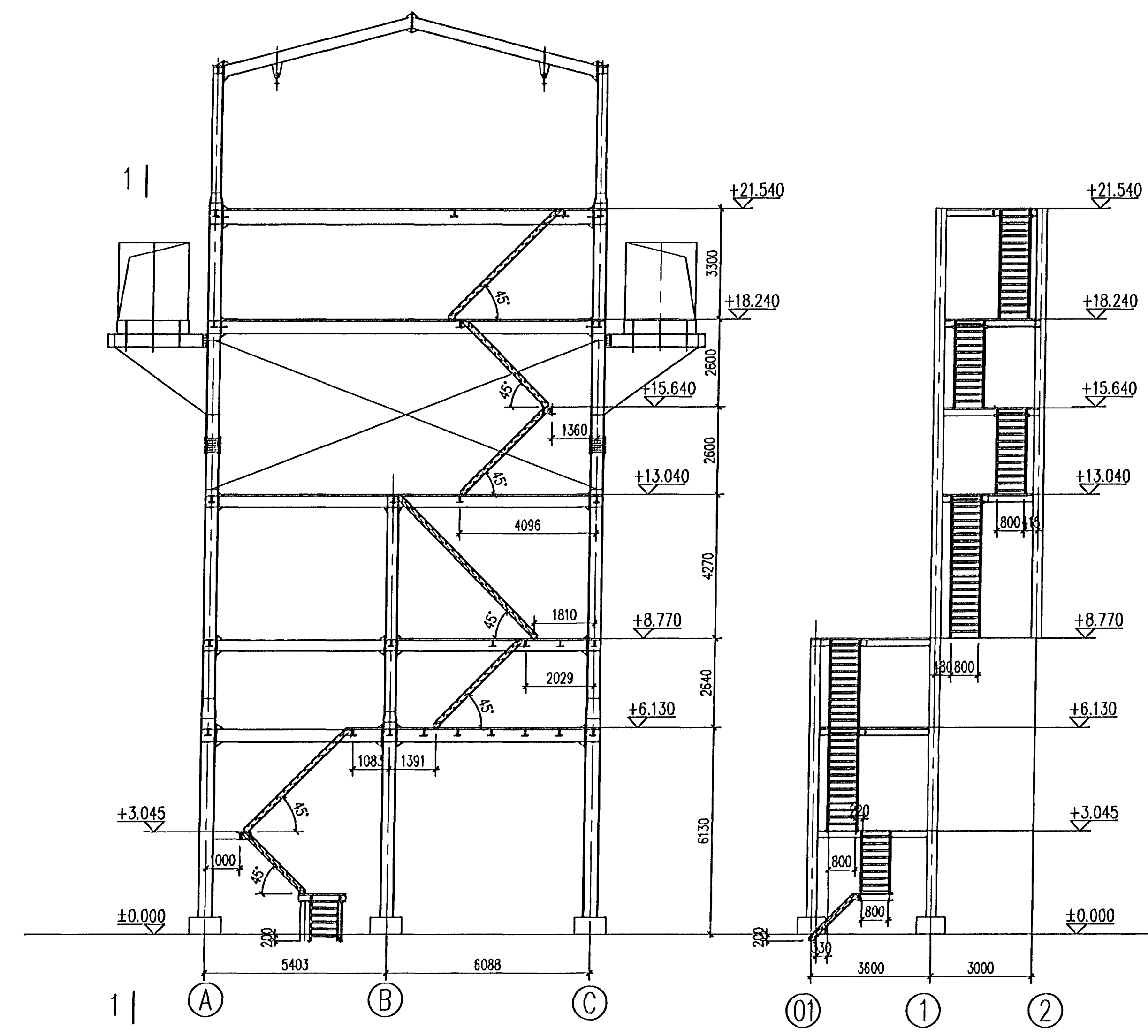
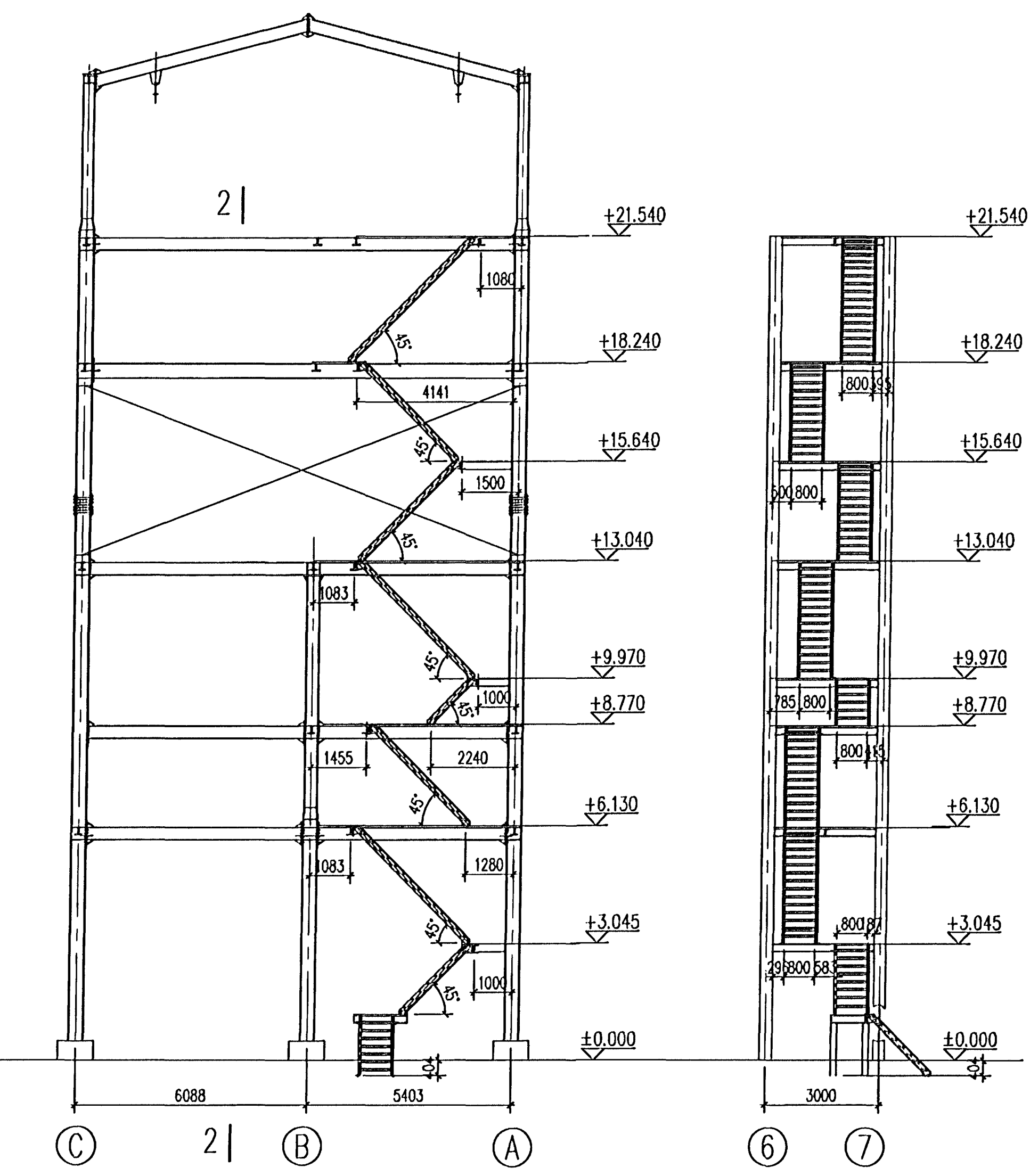


Nick Indrisson  
Kt. 181144-3949  
101



楼梯布置侧视图1  
Staircase arrangement - Side view-1



楼梯布置侧视图2  
Staircase arrangement - Side view-2

NOTES  
FOR THE RELATIVE NOTES, SEE DWG. IPU-432-ZA-011-205

**HRV HATCH**  
**VENDOR DOCUMENT STATUS**

Permission to proceed does not constitute acceptance or approval of design details, calculations, analysis, test methods, or materials developed or selected by CONTRACTOR / VENDOR, and does not relieve CONTRACTOR / VENDOR from full compliance with contractual obligations.

Skýringar: Legend:

1 <input type="checkbox"/> WORK MAY PROCEED.	4 <input checked="" type="checkbox"/> REVIEW NOT REQUIRED. WORK MAY PROCEED.
2 <input type="checkbox"/> REVISE AND RESUBMIT. WORK MAY PROCEED SUBJECT TO INCORPORATION OF CHANGES.	5 <input type="checkbox"/> CANCELLED / SUPERSEDED.
3 <input type="checkbox"/> REVISE AND RESUBMIT. WORK MAY NOT PROCEED.	6 <input type="checkbox"/> FOR INFORMATION.

REVIEWED BY: *[Signature]* DATE: 27/8/12

DOCUMENT No: IPU-432-011-ES-VD-0272-sub02 REV:

Rev	Description	Issue Date	By	Check	Check Date
2	AMM issue for review	2012/3/23	BZC	LOS	
1	AMM issue for review	2011/8/15	HJ	TYF	

This drawing is the property of Rio Tinto Alcan Iceland Ltd. and is loaned out for personal use only. It may not be copied nor made available to others without permission of Rio Tinto Alcan Iceland Ltd. The receiver is liable for any misuse.

Scale: 1:100  
Format: A1  
Dimensions without tolerances according to ISO 2768-1 medium.

**HRV ENGINEERING**  
**IB**

Designing / Date: 9.2.2012  
Hatched / Designed: HJ  
Takin / Drawn: HJ  
Vertikal / Supplier: Dönn Edda Environmental Protection Equipment Co. Ltd.  
Tönnuvertikal / Supplier: IPU-432-ZA-011-208  
Samþykkt / Approved: ZDL  
Húsið / Part of: TYP

IPU-432-ZA-011-208  
Steel structure  
GTC1a - Steel Frame handrail and stair drawing  
General Layout

**Rio Tinto Alcan**

ISAL Alcan Iceland Ltd. Stærðfræði 18-222 Húsnáðarfræði Keldur

ISAL Tönnuvertikal / Drawn of ISAL Breyt / Rev: C

ISAL Vertikal og skil, daga / ISAL Checked, date ISAL Samþykkt, daga / ISAL Approved, date