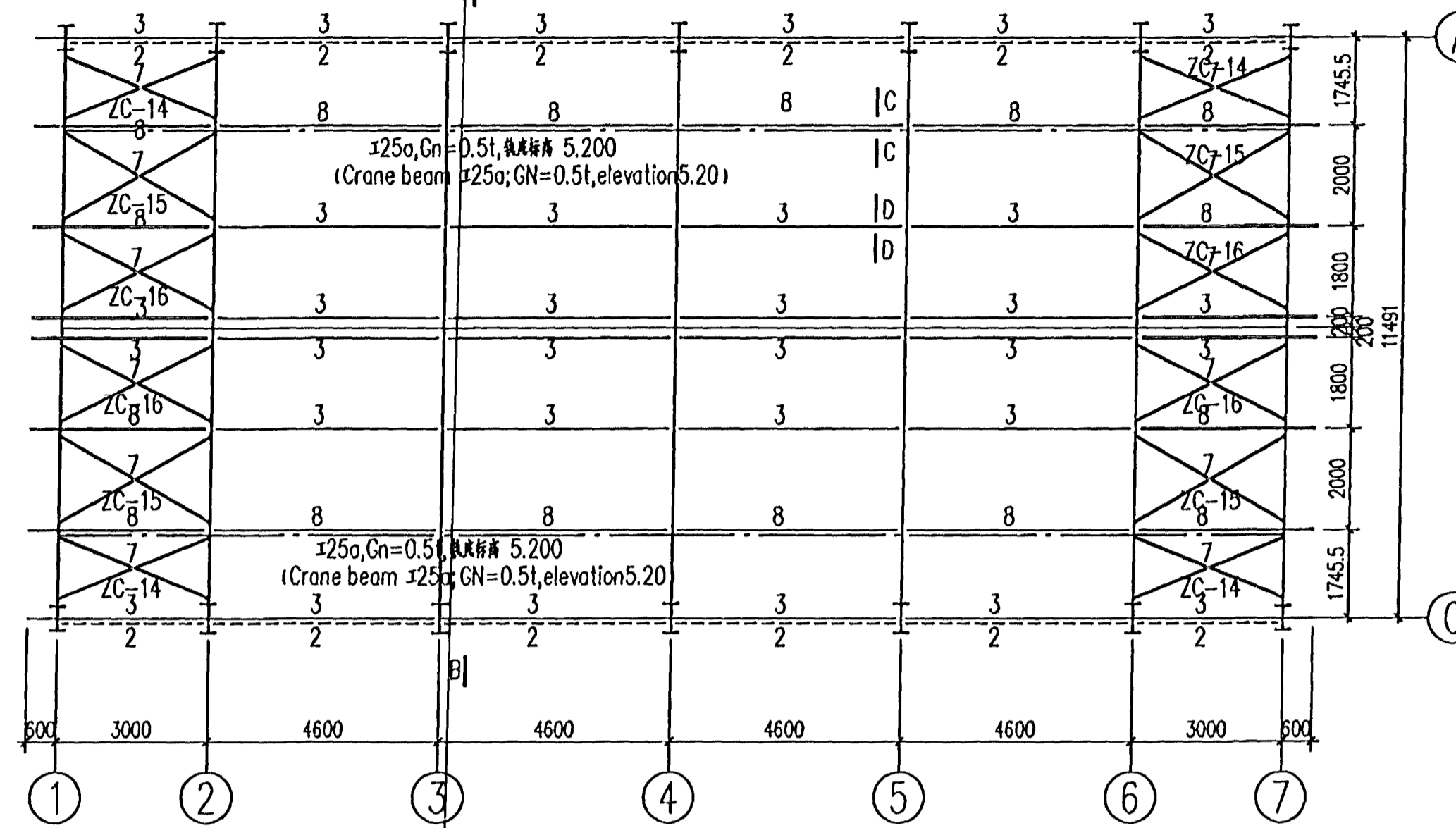
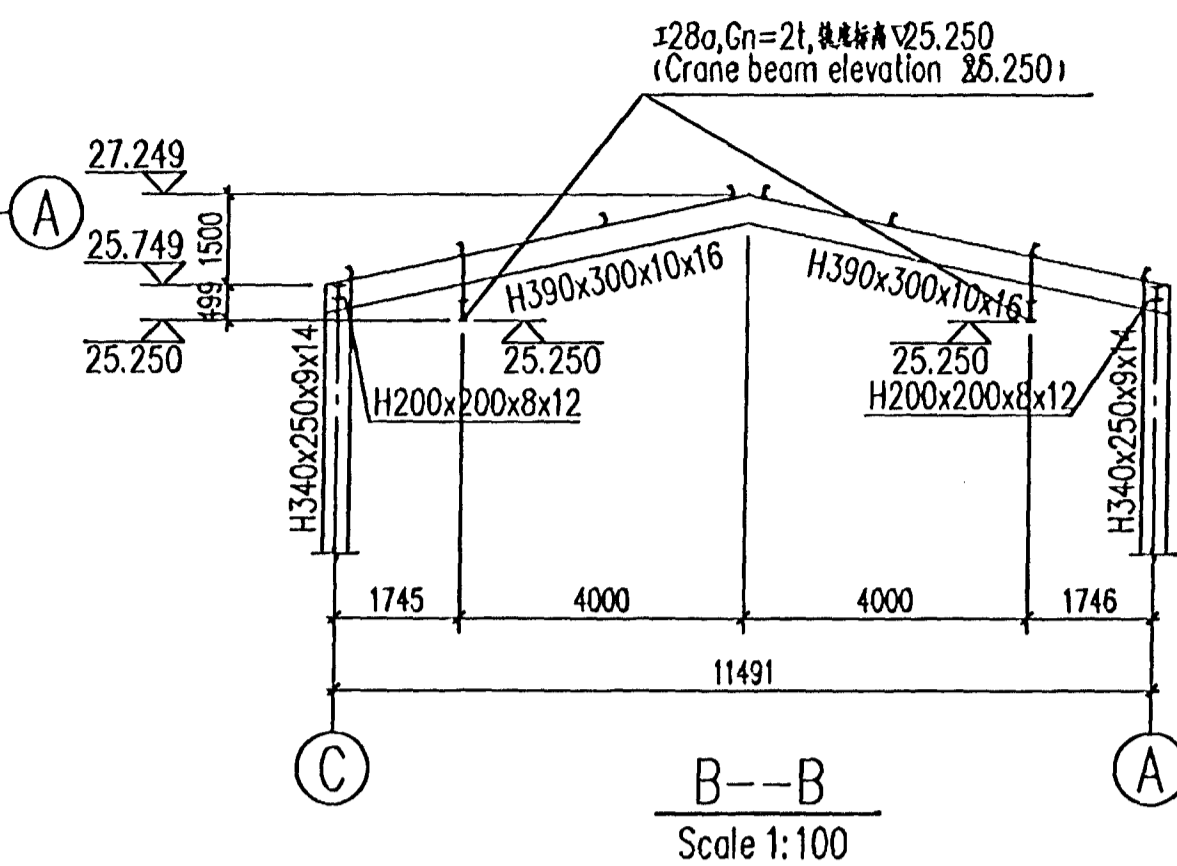


▽18.200平台布置图 Scale 1:100  
▽18.20 platform layout drawing

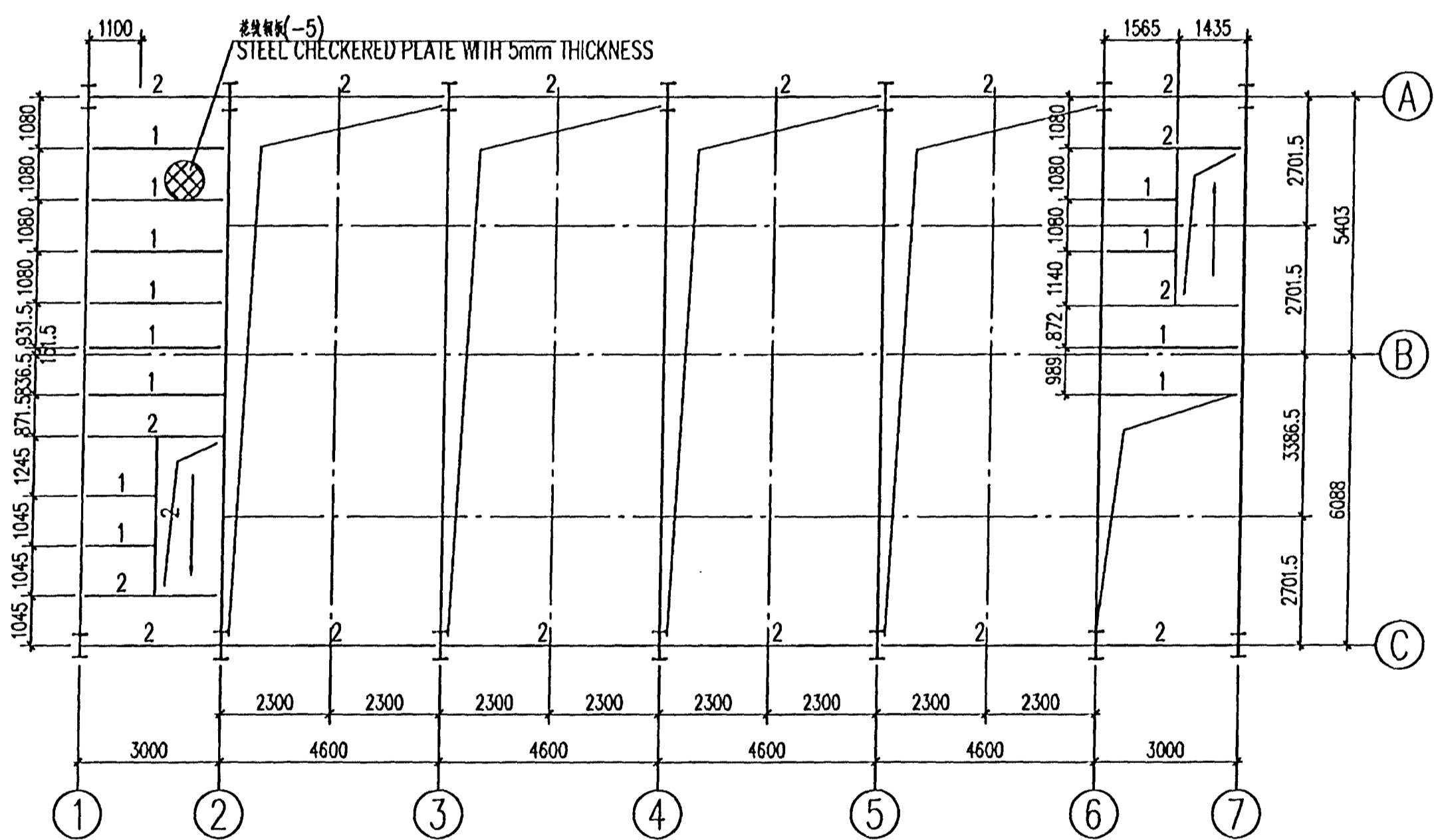


屋面平面布置图 Scale 1:100  
Roof layout plan

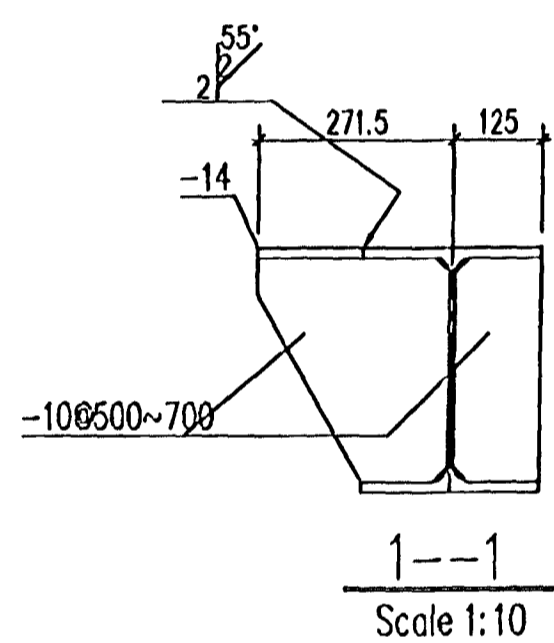


B--B  
Scale 1:100

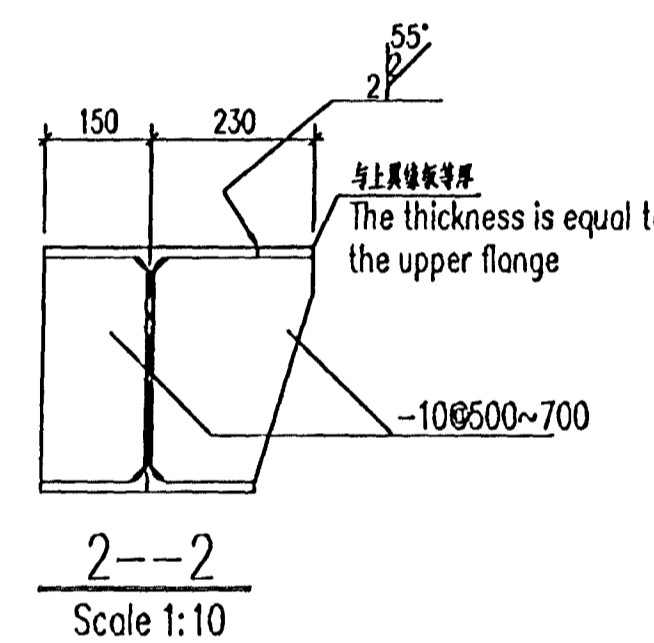
Nick Indrisaou  
Kt. 181144-3949



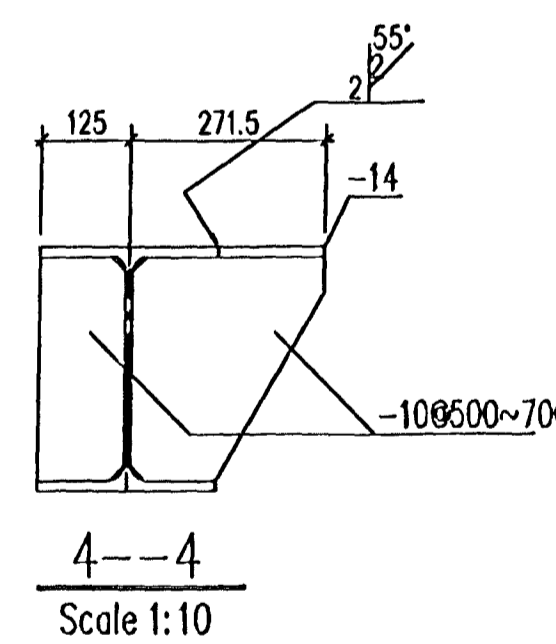
▽21.500平台布置图 Scale 1:100  
▽21.500 platform layout drawing



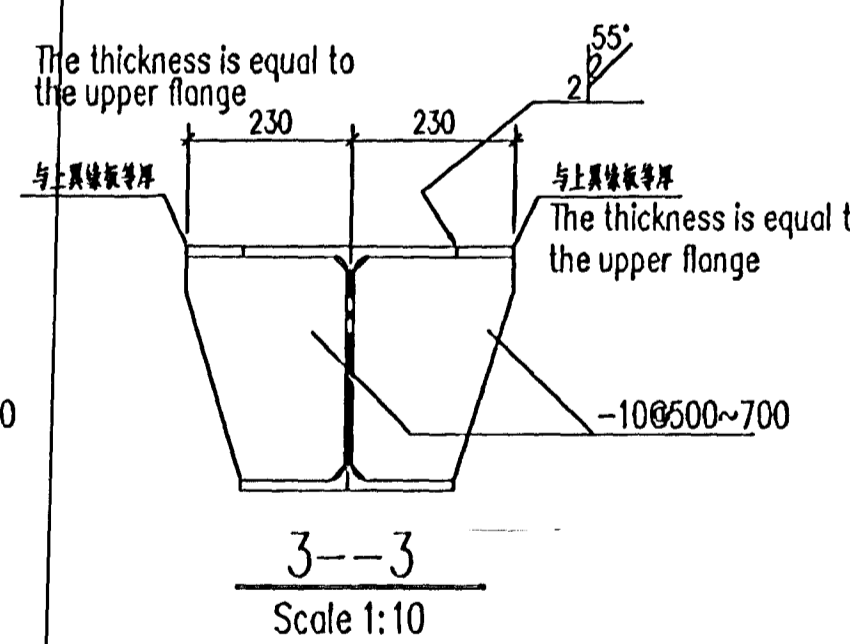
1--1  
Scale 1:10



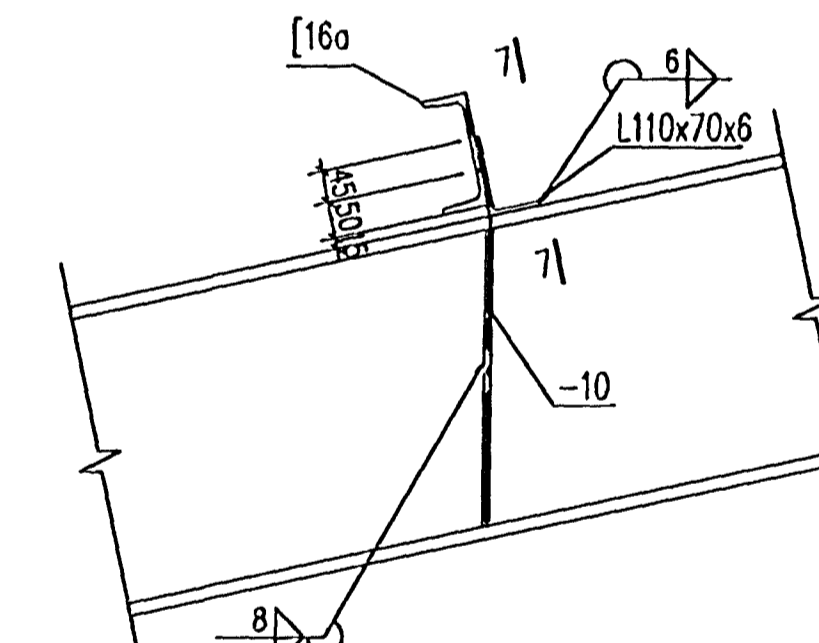
2--2  
Scale 1:10



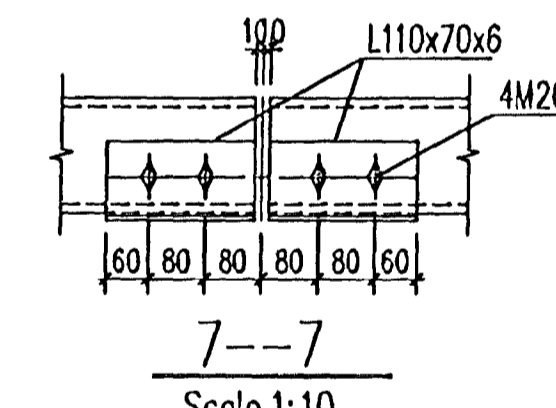
4--4  
Scale 1:10



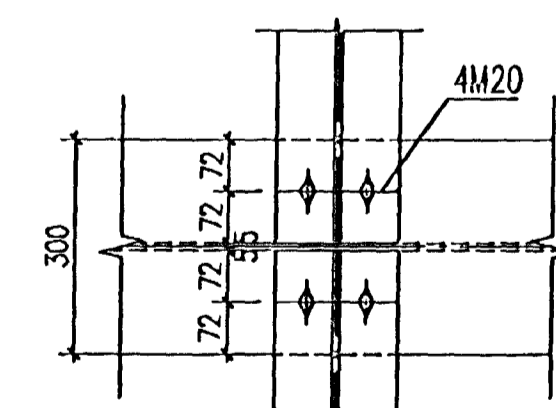
3--3  
Scale 1:10



D--D  
Scale 1:10



7--7  
Scale 1:10



8--8  
Scale 1:10

说明  
1. 相关说明则PU-432-ZA-011-203  
NOTES  
1. FOR THE RELATIVE NOTES, SEE DWG. IPU-432-ZA-011-203

<b>VENDOR DOCUMENT STATUS</b>	
<small>Permission to proceed does not constitute acceptance or approval of design details, calculations, analysis, test methods, or materials developed or selected by CONTRACTOR / VENDOR, and does not relieve CONTRACTOR / VENDOR from full compliance with contractual obligations.</small>	
1 <input type="checkbox"/> WORK MAY PROCEED. 2 <input type="checkbox"/> REVISE AND RESUBMIT. WORK MAY PROCEED SUBJECT TO INCORPORATION OF CHANGES. 3 <input type="checkbox"/> REVISE AND RESUBMIT. WORK MAY NOT PROCEED.	4 <input checked="" type="checkbox"/> REVIEW NOT REQUIRED. WORK MAY PROCEED. 5 <input type="checkbox"/> CANCELLED / SUPERSEDED. 6 <input type="checkbox"/> FOR INFORMATION.
REVIEWED BY: <i>[Signature]</i>	DATE: <i>24/7/12</i>
DOCUMENT No: IPU-432-011-ES-VD-1047-sub01	

No.	Issue / Description	Date	By	For
7				
6				
5				
4				
3	Issue for review	2012/3/26	BZC	LOS
2	Issue for review	2011/10/17	HJ	TYF
1	Issue for review	2011/08/05	HJ	TYF

This drawing is the property of Rio Tinto Alcan Iceland Ltd. and handed out for personal use only. It may neither be copied nor made available to others without permission of Rio Tinto Alcan Iceland Ltd. The receiver is liable for any misuse.		Designing / Date: 8.5.2011 Drawn / Designed: HJ Checked / Supplied: HJ Approved / Approved: HJ Title: IPU-432-ZA-011-207 Part of:	IPU-430 Gas Treatment Centers Steel structure GTC1a-Filter Unit 2nd of the layout plan General Layout and Details	Project no.: Revision no.: Scale:
		Rio Tinto Alcan		