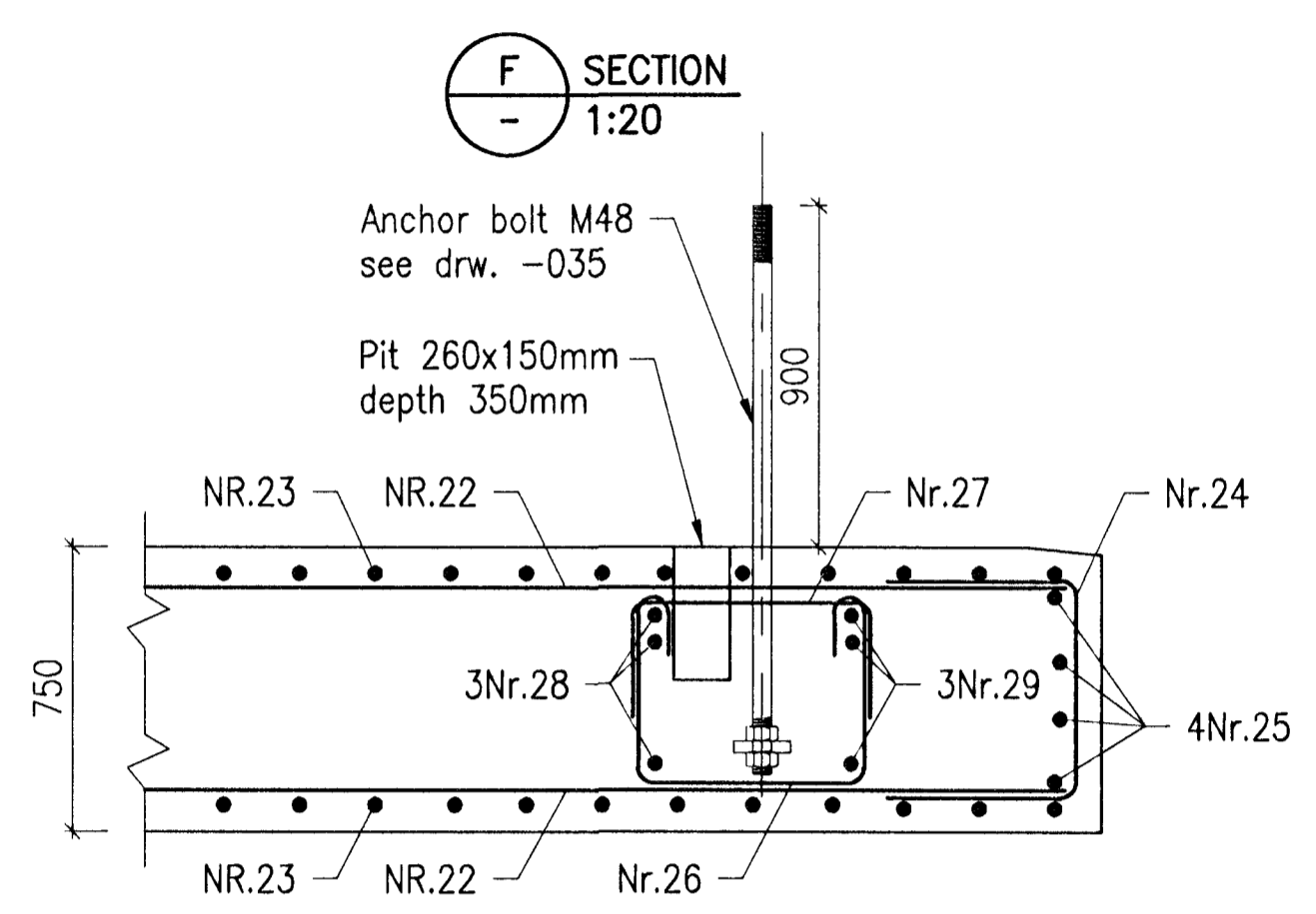
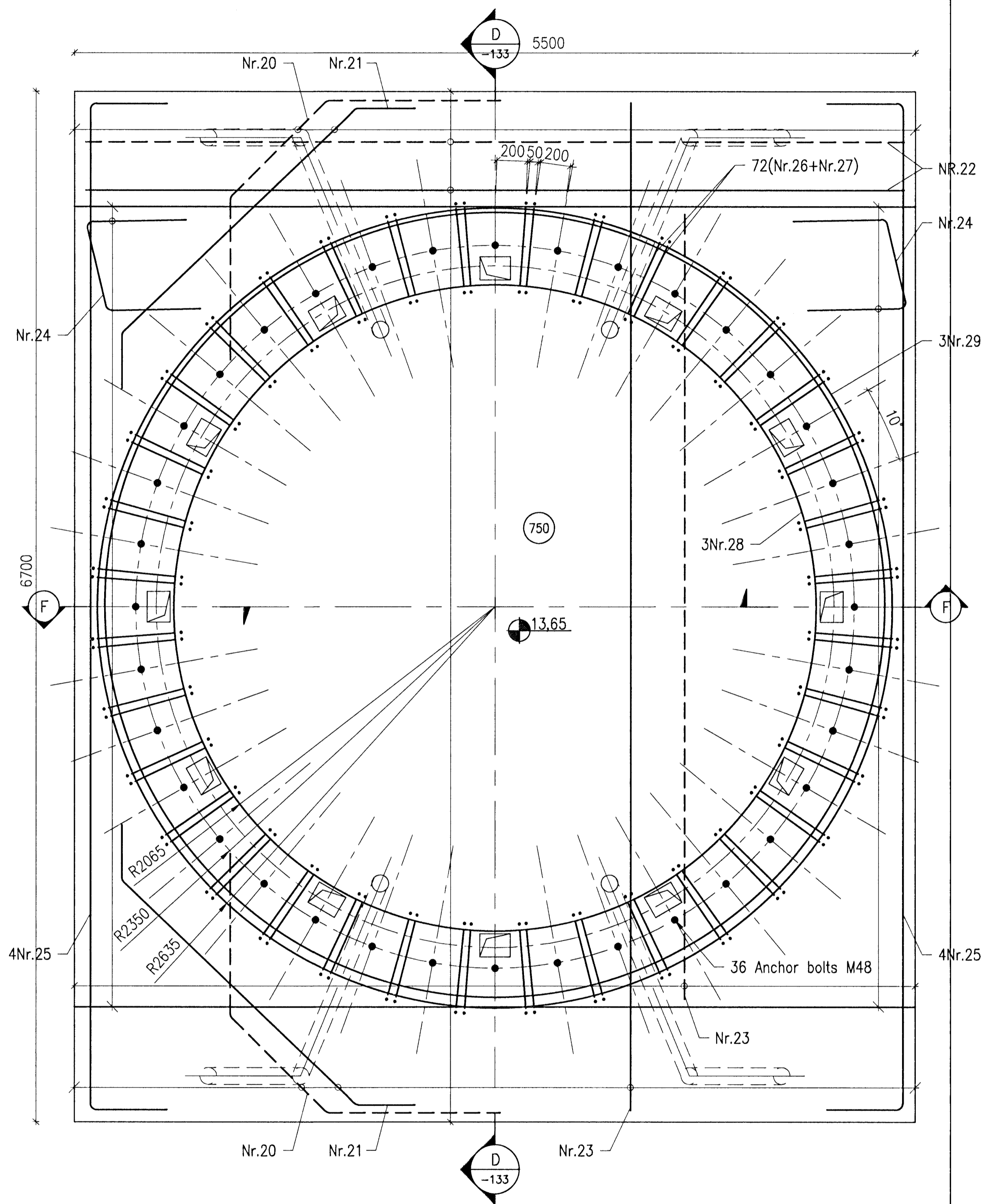
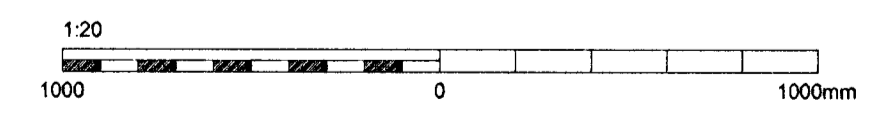


Níki Indriðsson
Kt. 181144-3949

SLAB EL. 13.65, PLAN 1:20



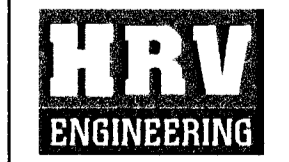
Reinforcement bar schedule refer to drawing -132



Skýringar: General notes refer to drawing IPU-431-CA-017-101.
Legend: Concrete quality: C30/37:XF3-25

3	Issued for construction	2011.10.12	SE/LDB	NI	PG				
Útg nr	Útg nr	Dagsetning	St/LDB	Tilf	St/LDB	St/LDB	St/LDB	St/LDB	St/LDB
Rev no	Description	Date	Des/Drw	Old	Suppl	Rel	ISAL	Rel	

This drawing is the property of Rio Tinto Alcan Iceland Ltd and handed out for personal use only. It may neither be copied nor made available to others without permission of Rio Tinto Alcan Iceland Ltd. The receiver is liable for any misuse.
Stærð: A1 Mkv.: 1:20
Formát: A1 Mkv.: 1:20
Dimensions without tolerances according to ISO 2768-1 medium.



Dagsetning / Date	2011.09.15
Hannað / Designed	SE
Tekin / Drawn	ÁFV
Verkfari / Supplier	HRV
Tekn.nr.verktaka / Supplier drw.no.	IPU-431-CA-017-134
Samb.ákkt / Approved	NI
Hluti af / Part of	NI

IPU-430 GAS TREATMENT
GTC2A
STACK AREA, FOUNDATION, SLAB EL. 13.65
REINFORCEMENT



Flokkur nr.:	Blöð nr.:	Nesta bln.:
Kostn.nr.-Coco.:	Búrn.nr.-Eq.no	
AKS		
Tekn.nr. ISAL / Drw.no. of ISAL	Breyt./Rev.	
ISAL	C	