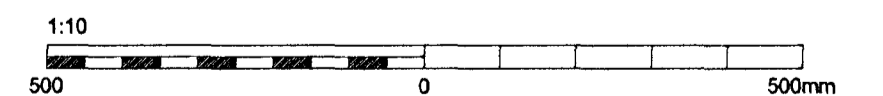
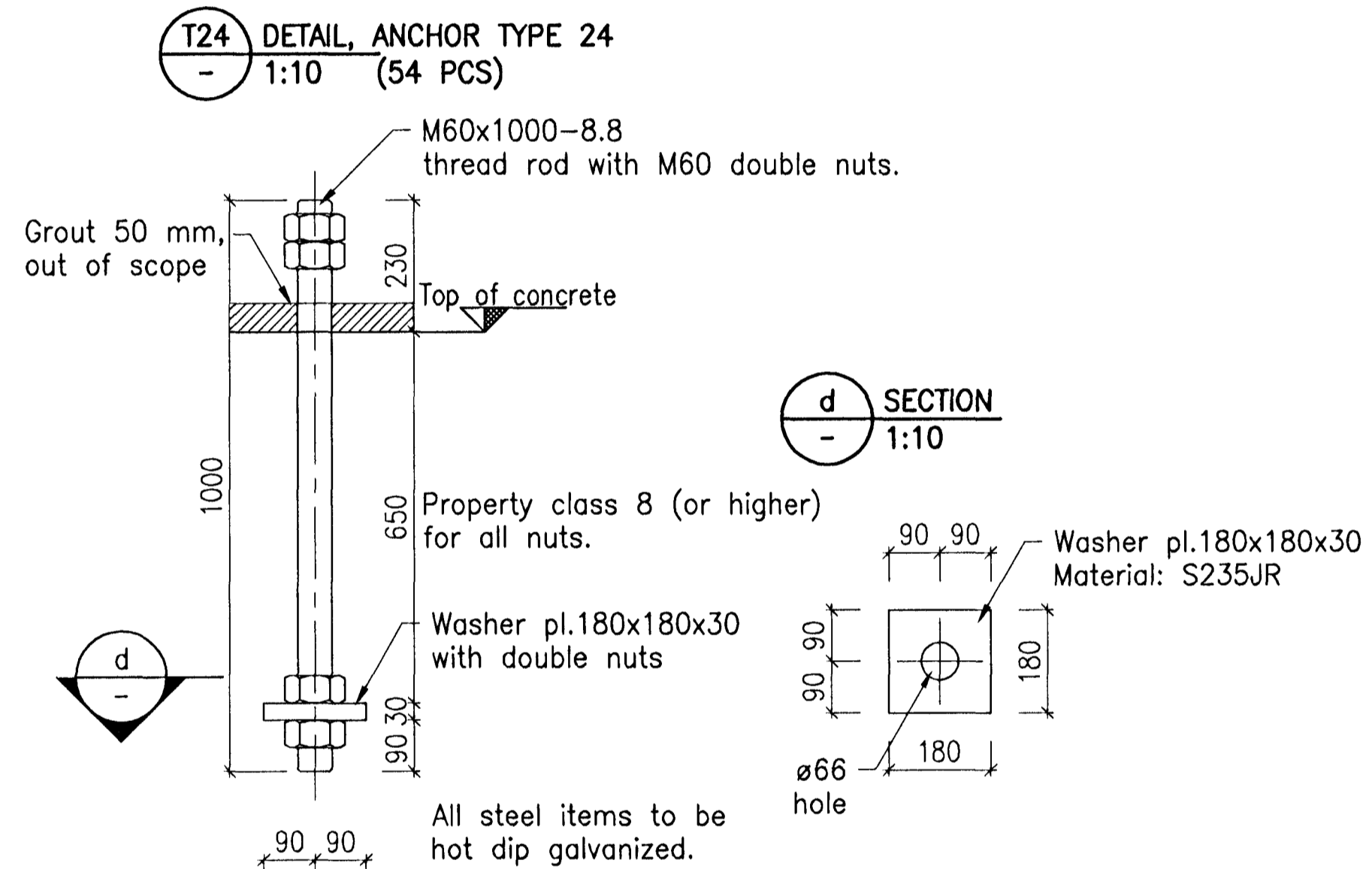
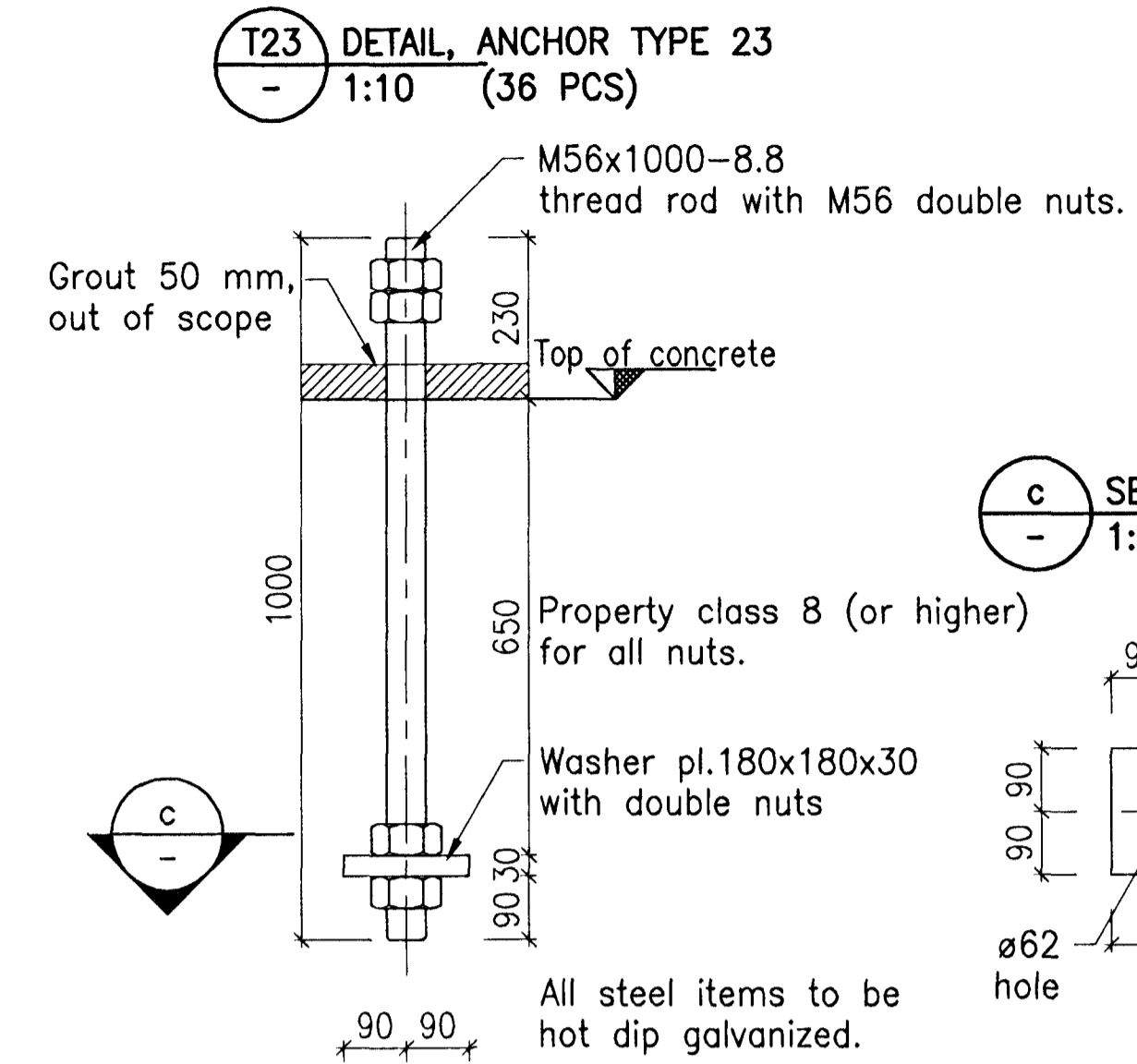
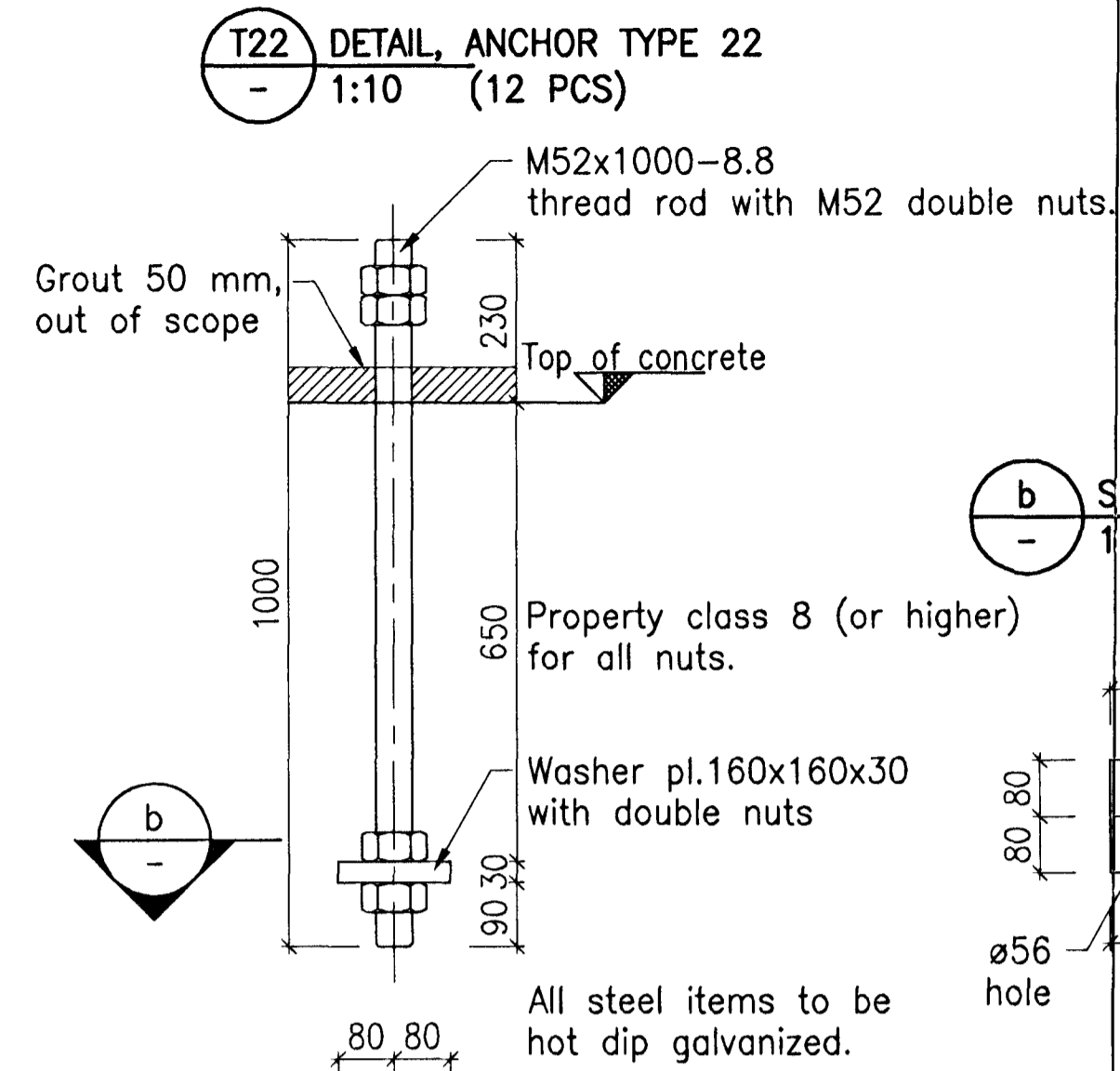
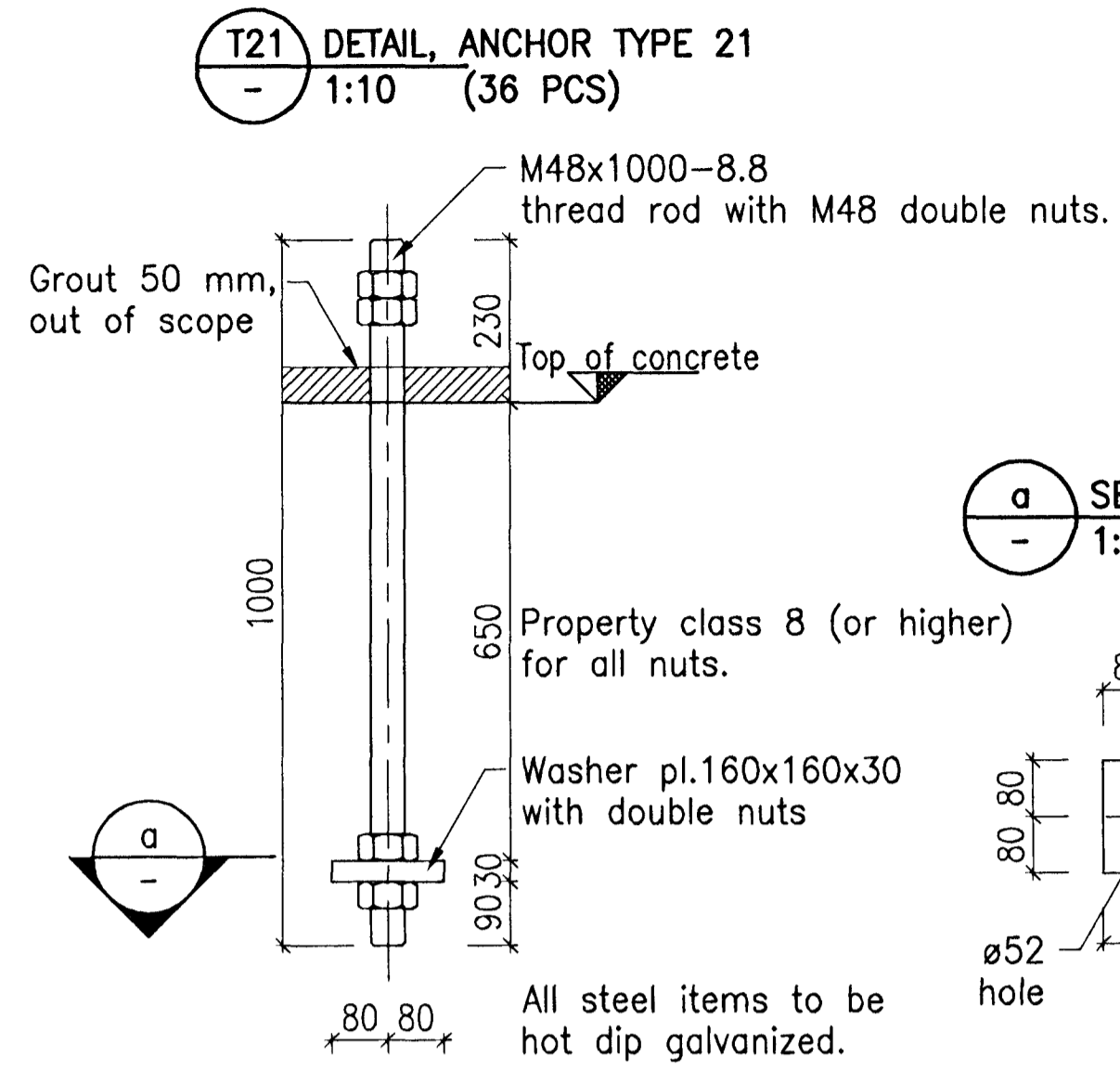


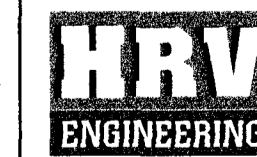
Níel Indriðason
Kt. 181144-3949



Skýringar: General notes refer to drawing IPU-431-CA-017-101.
Legend: Anchor bolts are to be fixed exactly into position before concreting. Tread of bolts above top of concrete shall be protected at concrete work.

3	Issued for construction	2011.10.20	DEL	NI	PE
Óg nr / Rev no	Lýsing / Description	Dagsetning / Date	Höfundur / Des/Drw	Yfirlit / Chkd	Notk heim / Notk heim ISAL Ref

This drawing is the property of Rio Tinto Alcan Iceland Ltd. and handed out for personal use only. It may neither be copied nor made available to others without permission of Rio Tinto Alcan Iceland Ltd. The receiver is liable for any misuse.
Scale: 1:10
Format: A1
Dimensions without tolerances according to ISO 2768-1 medium.



Dagsetning / Date 2011.09.15	
Hannað / Designed DEL	Tekn / Drawn DEL
Verktaki / Supplier HRV	Teikn.númer / Supplier drw.no. IPU-431-CA-017-127
Sambærkt / Approved NI	Yfirlit / Chkd NI
Hluti af / Part of:	

IPU-430 GAS TREATMENT GTC2A FILTER AREA, EMBEDDED ANCHOR T21-T24			Flokkur nr.:	Bláð nr.:	Næsta bl.nr.:
			Kostn.nr.-Ceno. / Bgn.nr.-Eqno		
Tag.teikningar / Dwg. type: FORMWORK			AKS		
			ISAL Tekn.nr. ISAL / Drw.no. of ISAL Breyt./Rev. C		
ISAL Yfirfarð og skráð dags / ISAL Checked, date			ISAL Samþykkt, dags / ISAL Approval, date		