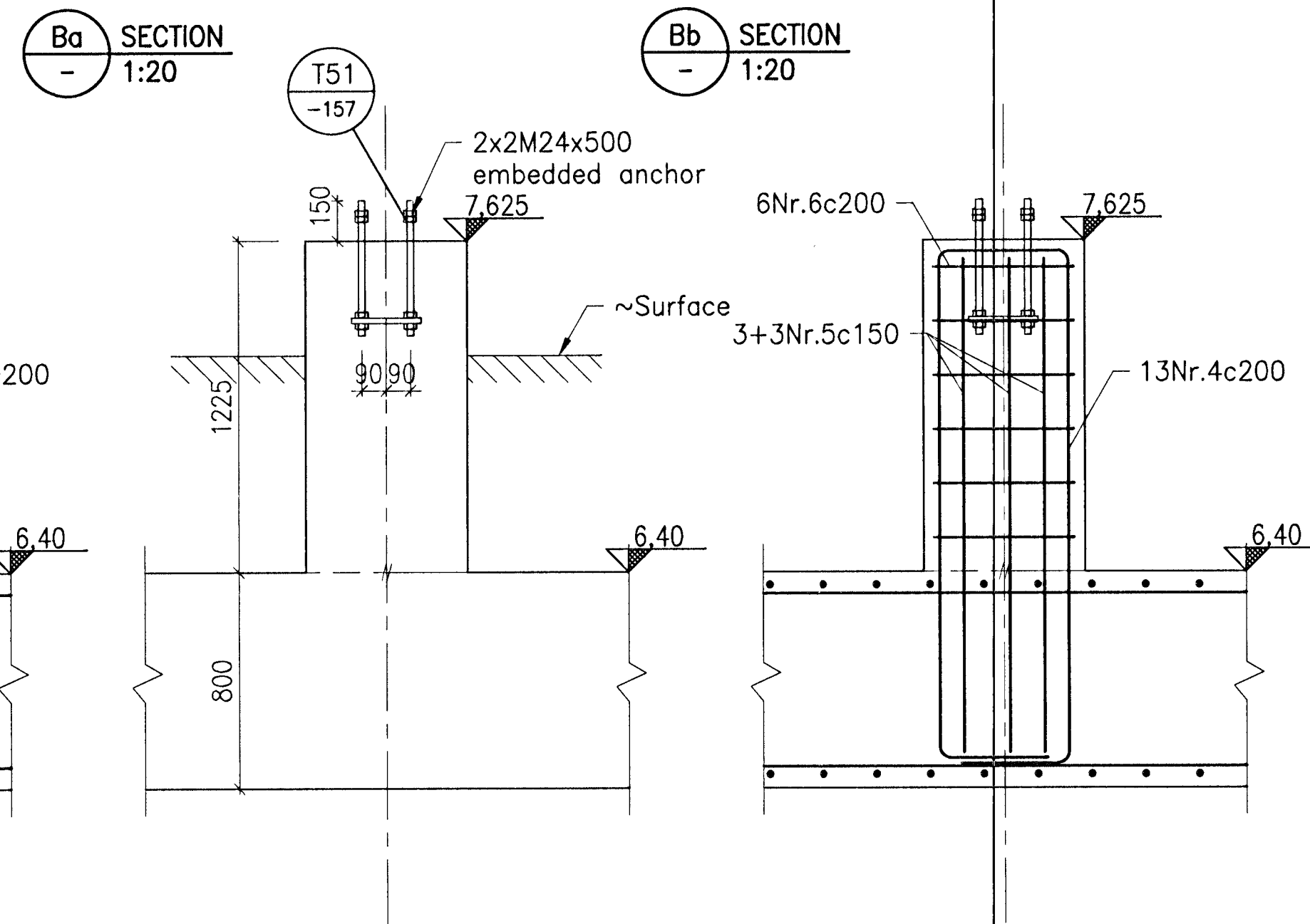
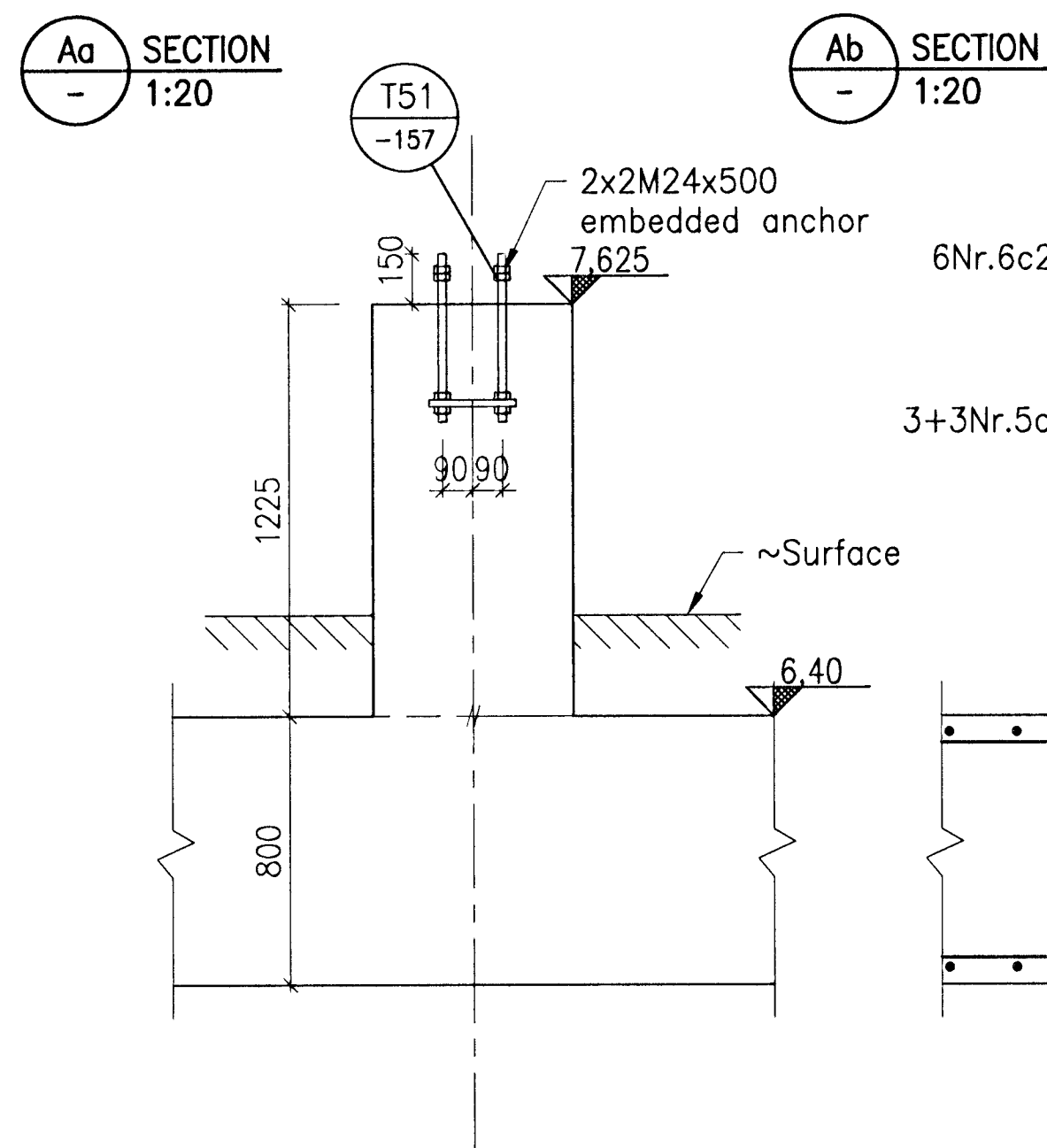
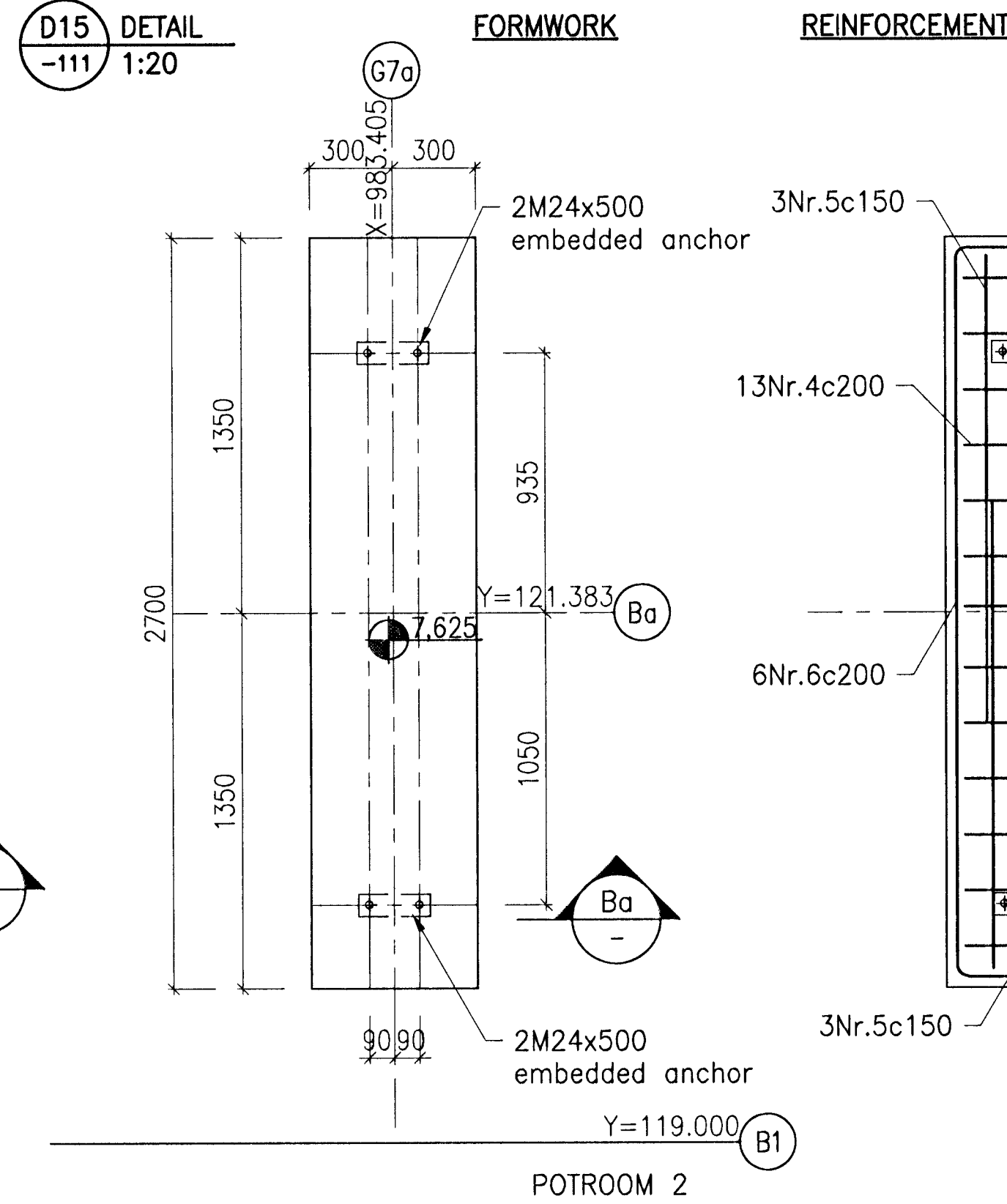
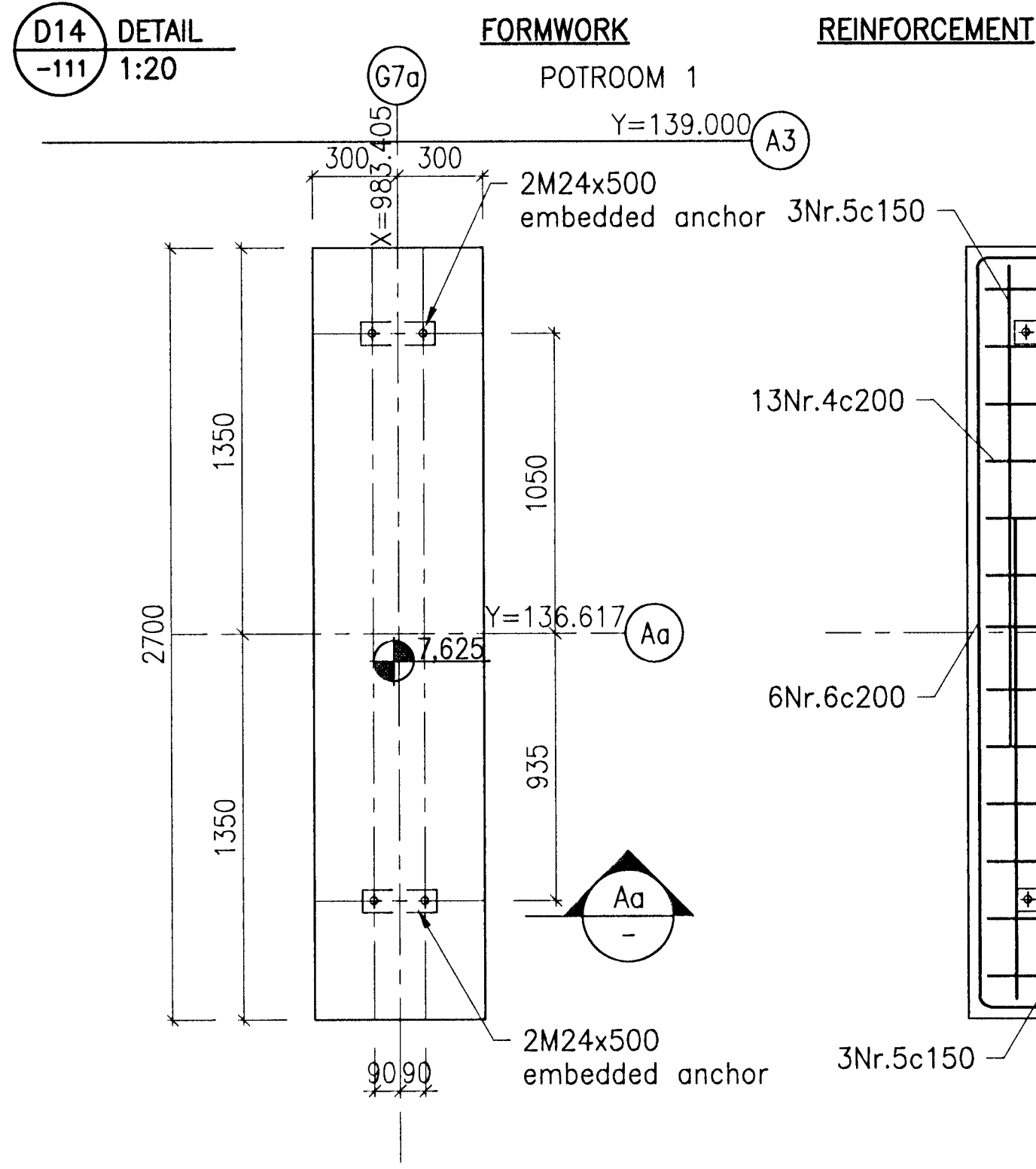
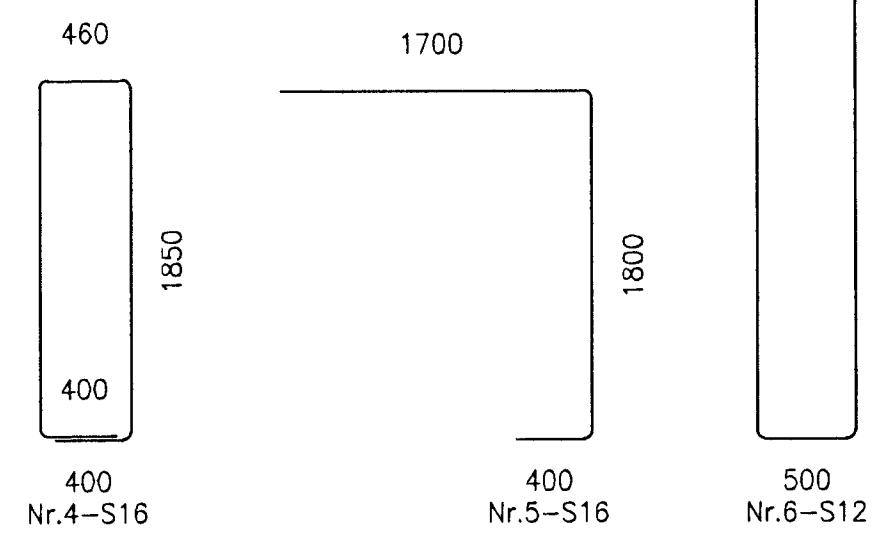


Samþykkt þann
05. júlí 2012
Byggingufulltrúnni / Hafnarfrétt
F.H. Höfður S. Gunnlaugsson

Níels Indriðarson
Kt. 181144-3949



BAR SCHEDULE



Skýringar: General notes refer to drawing IPU-431-CA-017-101.
Legend: Concrete quality: C30/37:XF3-25

Forms for outside concrete corners shall be chamfered 30x30 mm.

Anchor bolts are to be fixed exactly into position before concreting.
Tread of bolts above top of concrete shall be protected at concrete work.

C:\DP\04 IPU\400 Reduction\430 Gas Treatment\Drawings\Civil\IPU-431-CA-017-126.dwg

Ítg. nr. Rev. no.	Lýsing Description	Dagsetning Date	Höf./Ön. Des./Drw.	Yfir Chk.	Notk. heim. Suppl. Ref.	Notk. heim. ISAL Ref.
1	Issued for construction	2011.11.01	PEL	NI	FE	

This drawing is the property of Rio Tinto Alcan Iceland Ltd. and handed out for personal use only. It may neither be copied nor made available to others without permission of Rio Tinto Alcan Iceland Ltd. The receiver is liable for any misuse.

Stærð: A1 Máv.: 1:20
Spjall: 1:20
Dimensions without tolerances according to ISO 2768-1 medium.



Dagsetning / Date	2011.11.01
Hannað / Designed	PEL
Tekni / Drawn	PEL
Verkfalli / Supplier	HRV
Tekni nr./verkfalli / Supplier drw.no.	IPU-431-CA-017-126
Samb. átt / Approved	NI
Hiðl. af / Part of	

IPU-430 GAS TREATMENT
GTC2A
FILTER AREA, FOUNDATION DETAIL D15-D16
FORMWORK, REINFORCEMENT

RioTintoAlcan

Flikkur nr.:	Blöð nr.:	Nesta blinn.:
Kostn.nr.-Egna. / Bgn.nr.-Egna		
AKS		
Tekni nr. ISAL / Drw.no. of ISAL	Breyt./Rev.	
ISAL	C	

ISAL Yfirráð og skráð, dags / ISAL Checked, date ISAL Samþykkt, dags / ISAL Approved, date