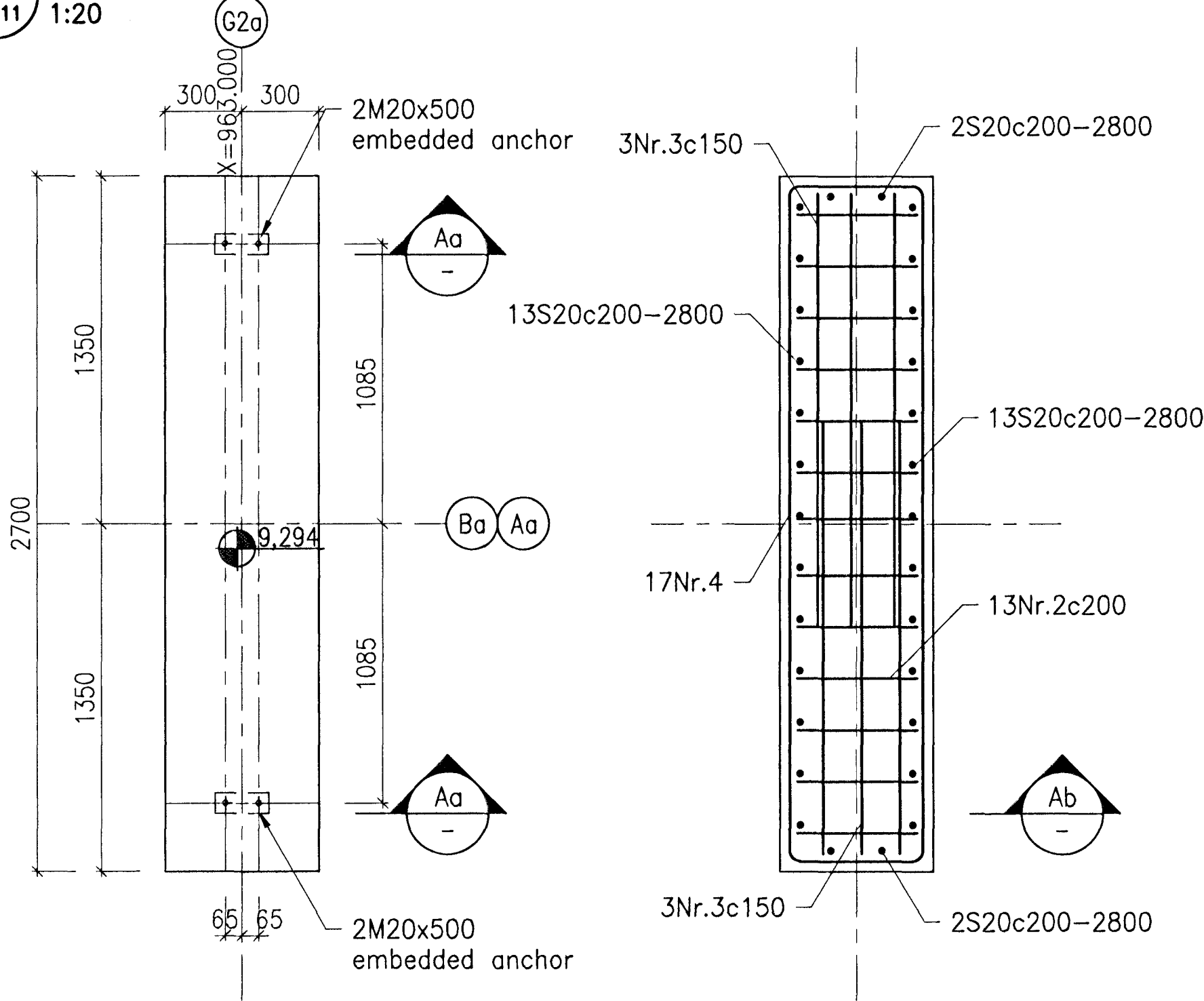


D10 DETAIL
-111 1:20

FORMWORK

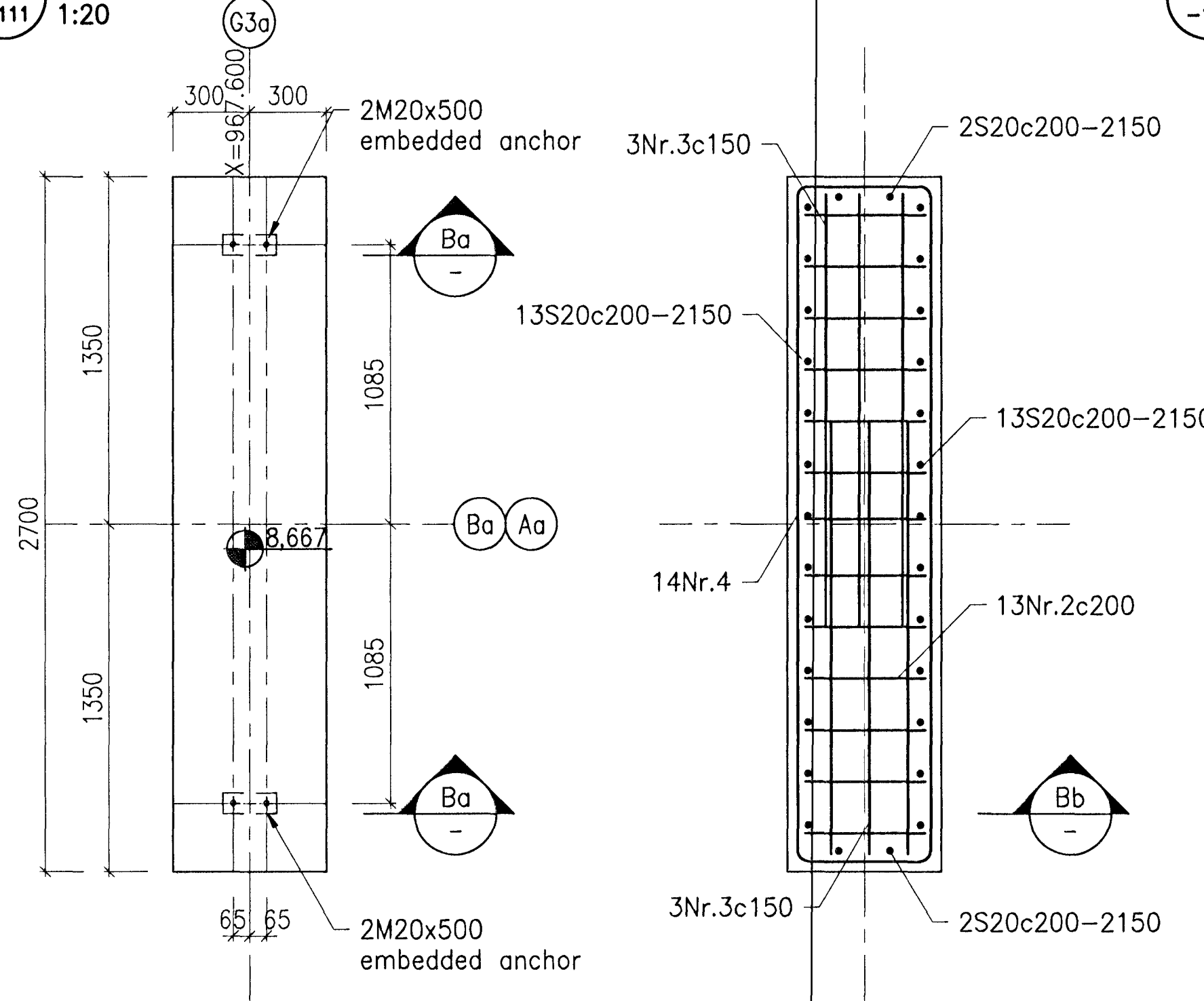
REINFORCEMENT



D11 DETAIL
-111 1:20

FORMWORK

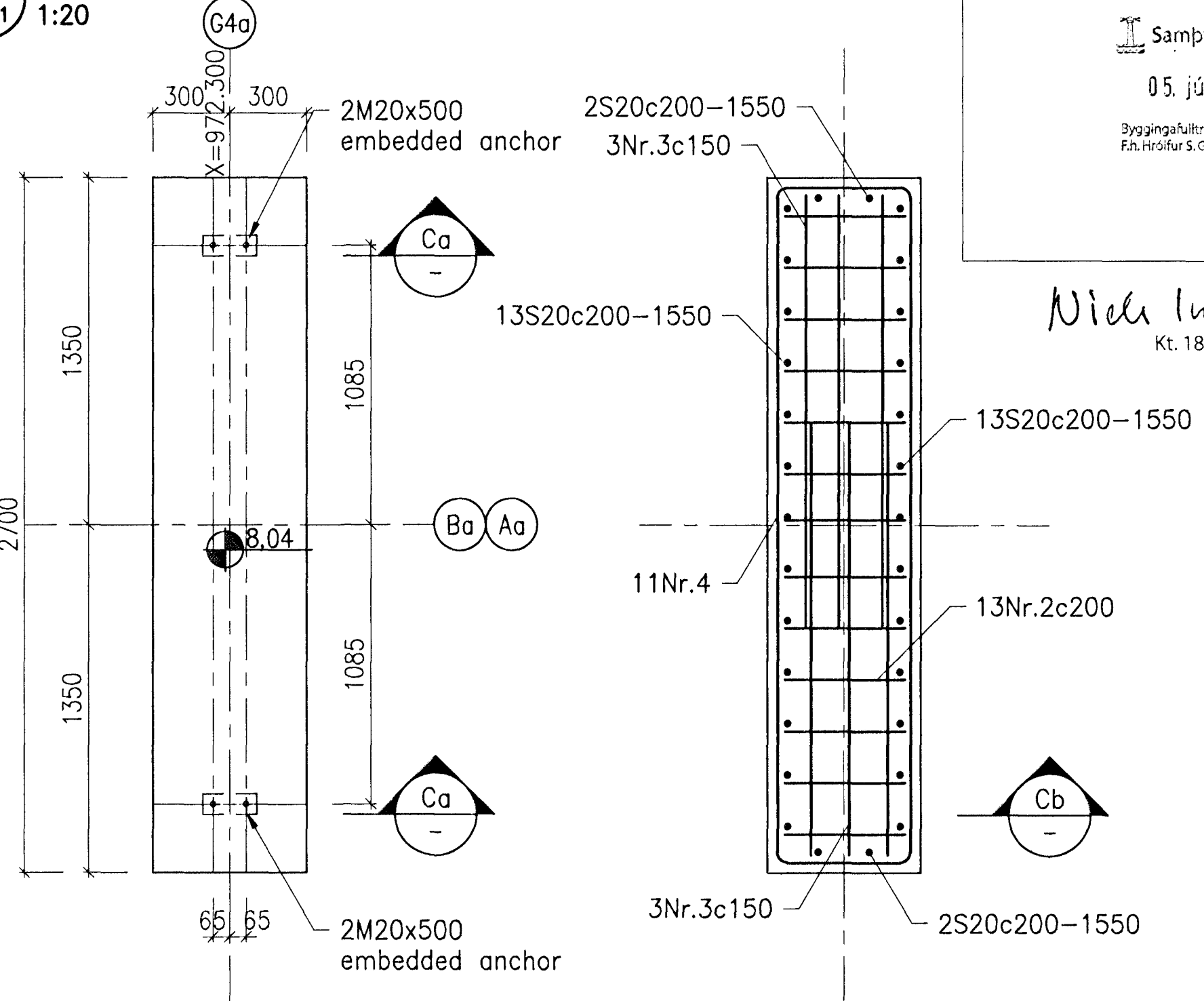
REINFORCEMENT



D12 DETAIL
-111 1:20

FORMWORK

REINFORCEMENT

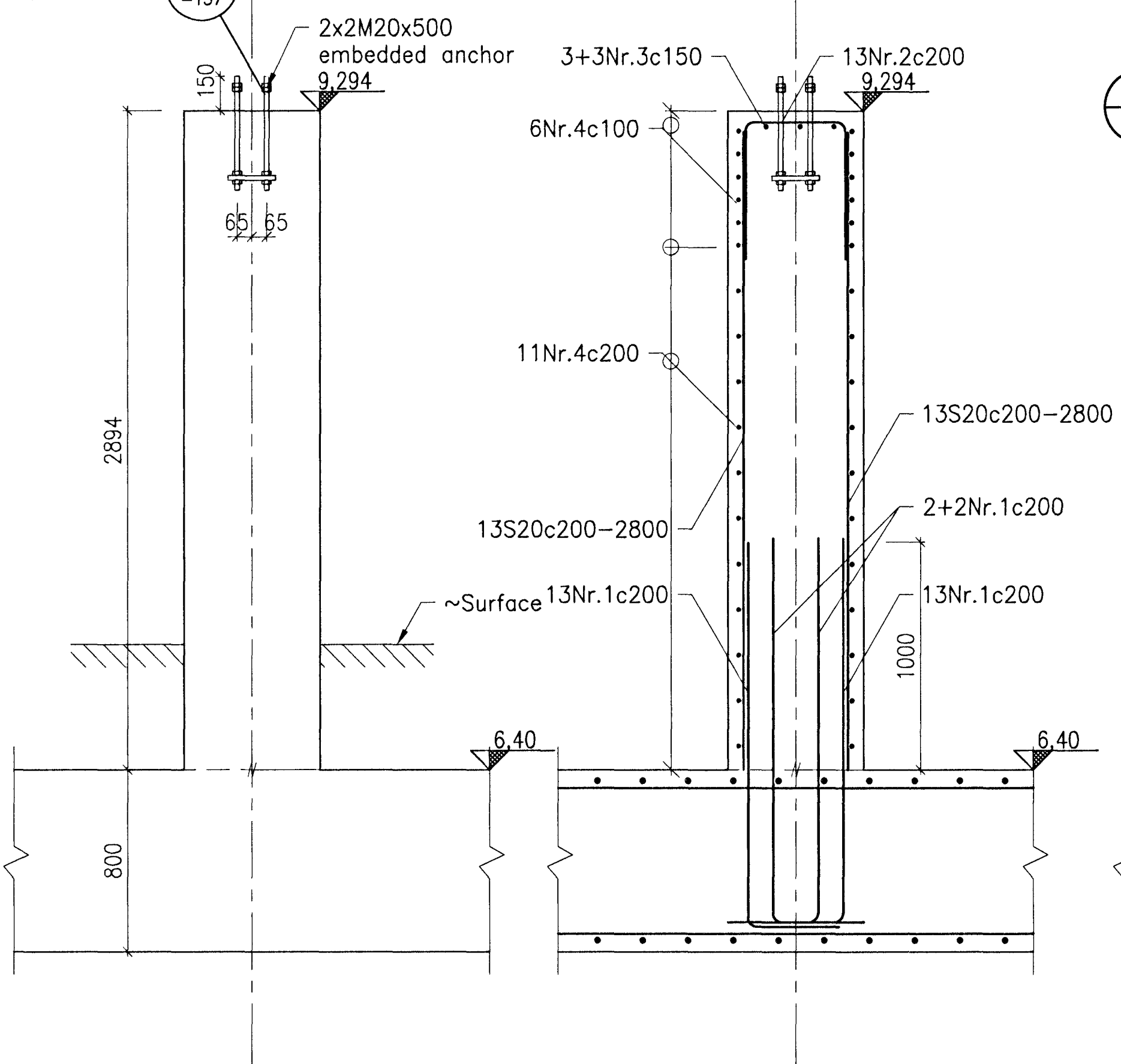


Sampykkt þann
05. júlí 2012
Byggingafræðingur í Hafnarhöfð
Fl. Höfður 5. Gunnarsson

Níels Indriðason
Kt. 181144-3949

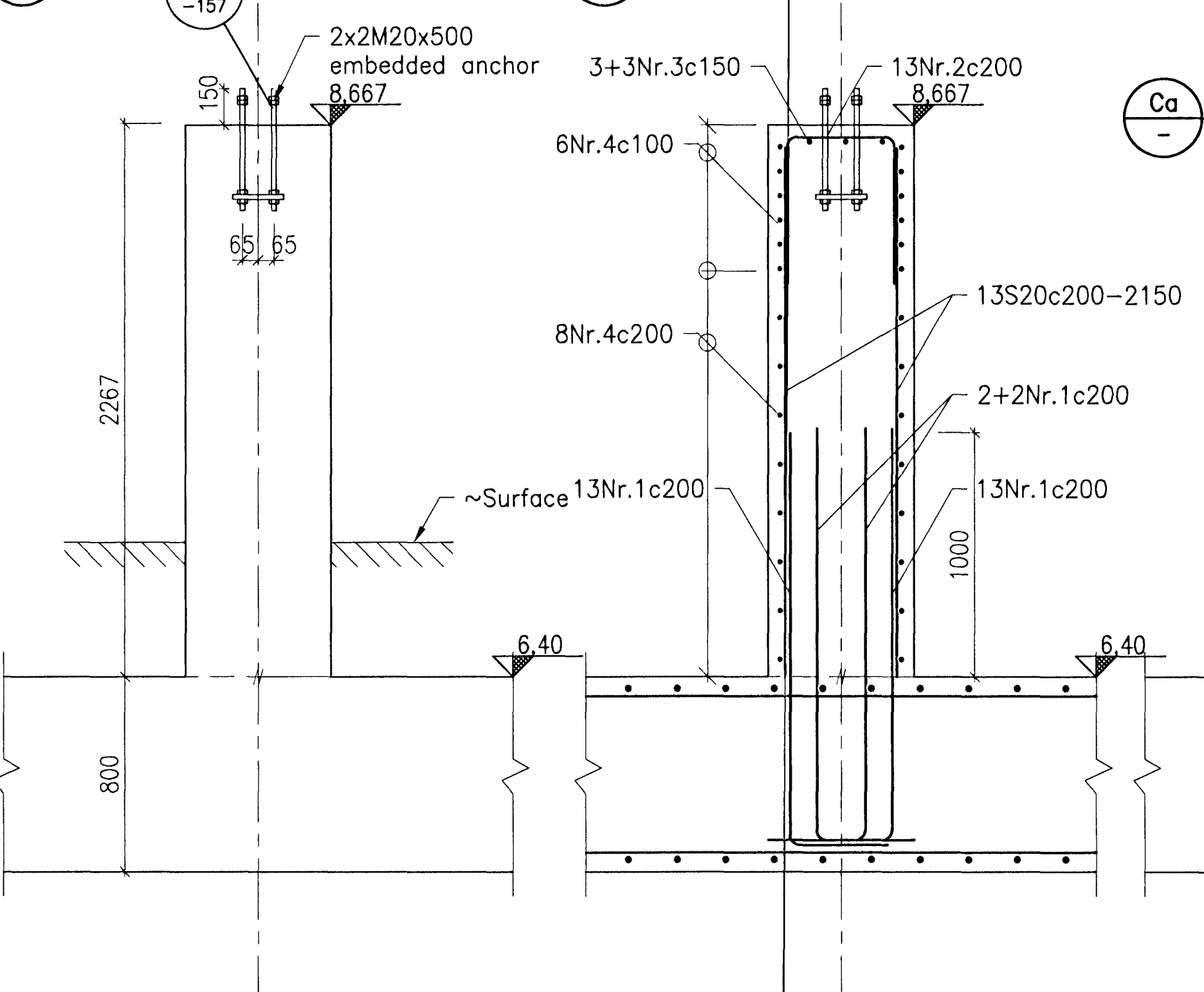
Aa SECTION
- 1:20

Ab SECTION
- 1:20



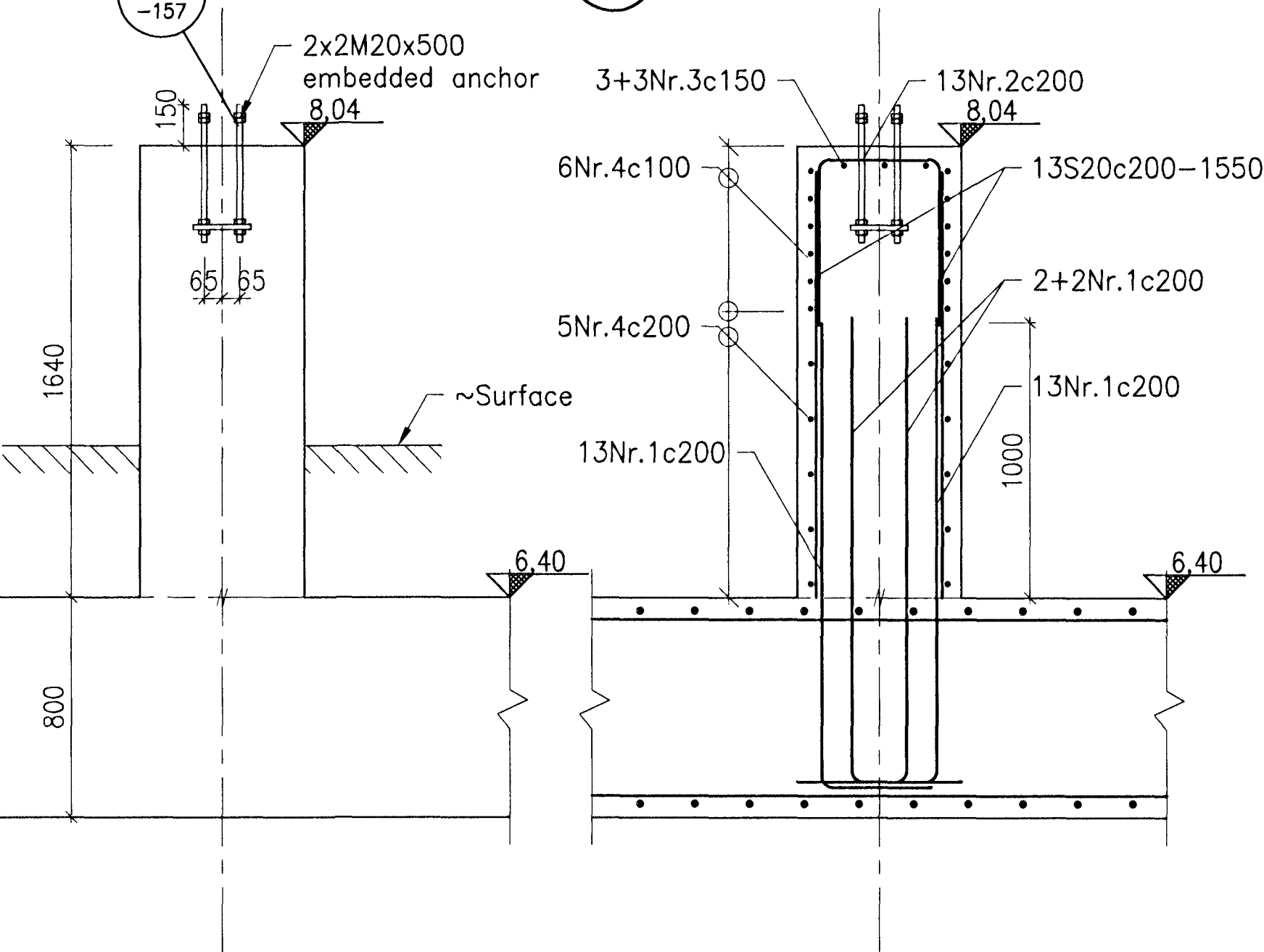
Ba SECTION
- 1:20

Bb SECTION
- 1:20

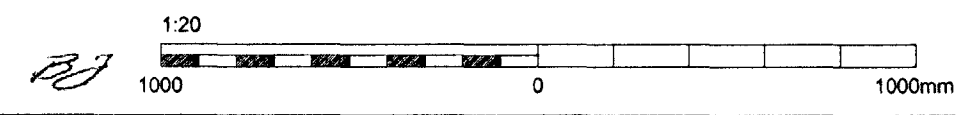
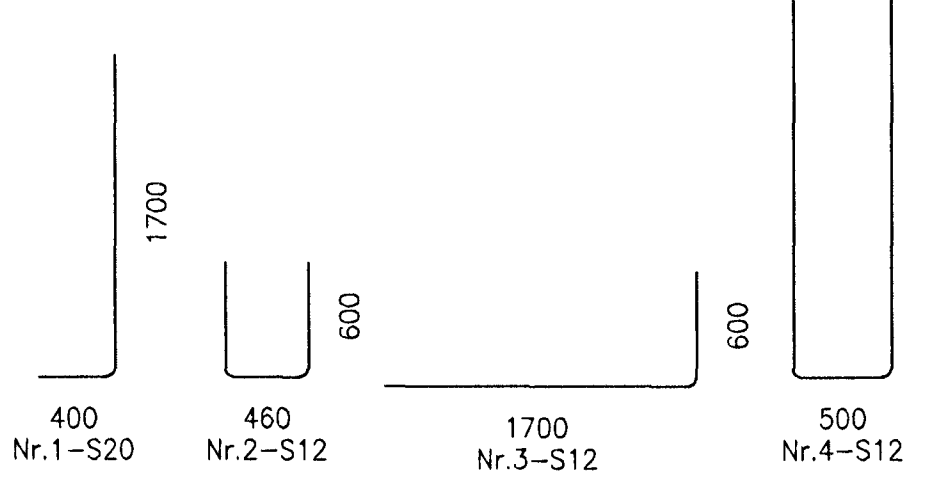


Ca SECTION
- 1:20

Cb SECTION
- 1:20



BAR SCHEDULE



Skýringar: General notes refer to drawing IPU-431-CA-017-101.
Legend: Concrete quality: C30/37:XF3-25

Forms for outside concrete corners shall be chamfered 30x30 mm.

Anchor bolts are to be fixed exactly into position before concreting.
Tread of bolts above top of concrete shall be protected at concrete work.

C:\DP\04 IPU\400 Reduction\430 Gas Treatment\Drawings\Civil\IPU-431-CA-017-124.dwg

3	Issued for construction	2011.11.01	DEL	NI	PE				
Fig. nr.	Rev. no.	Lýsing	Description	Dagsetning	Date	Hor./An.	Des./Dwg.	Yfirl.	Chkd.

This drawing is the property of Rio Tinto Alcan Iceland Ltd. and handed out for personal use only. It may neither be copied nor made available to others without permission of Rio Tinto Alcan Iceland Ltd. The receiver is liable for any misuse.



Dagsetning / Date: 2011.09.15
Hannað / Designed: DEL
Tækn. / Drawn: DEL
Varkæpti / Supplier: HRV
Tækn.nr./verkfrá. / Supplier draw no.: IPU-431-CA-017-124
Sambýkt / Approved: NI
Hluti af: / Part of:

IPU-430 GAS TREATMENT
GTC2A
FILTER AREA, FOUNDATION DETAIL D10-D12
FORMWORK, REINFORCEMENT

Rio Tinto Alcan

Flakur nr.: Blað nr.: Nasta bl. nr.:
Kostn.nr.-Cana. / Blann.-Eq.no.
AKS
Tækn.nr. ISAL / Dwg.no. of ISAL: Breyt./Rev.:
C