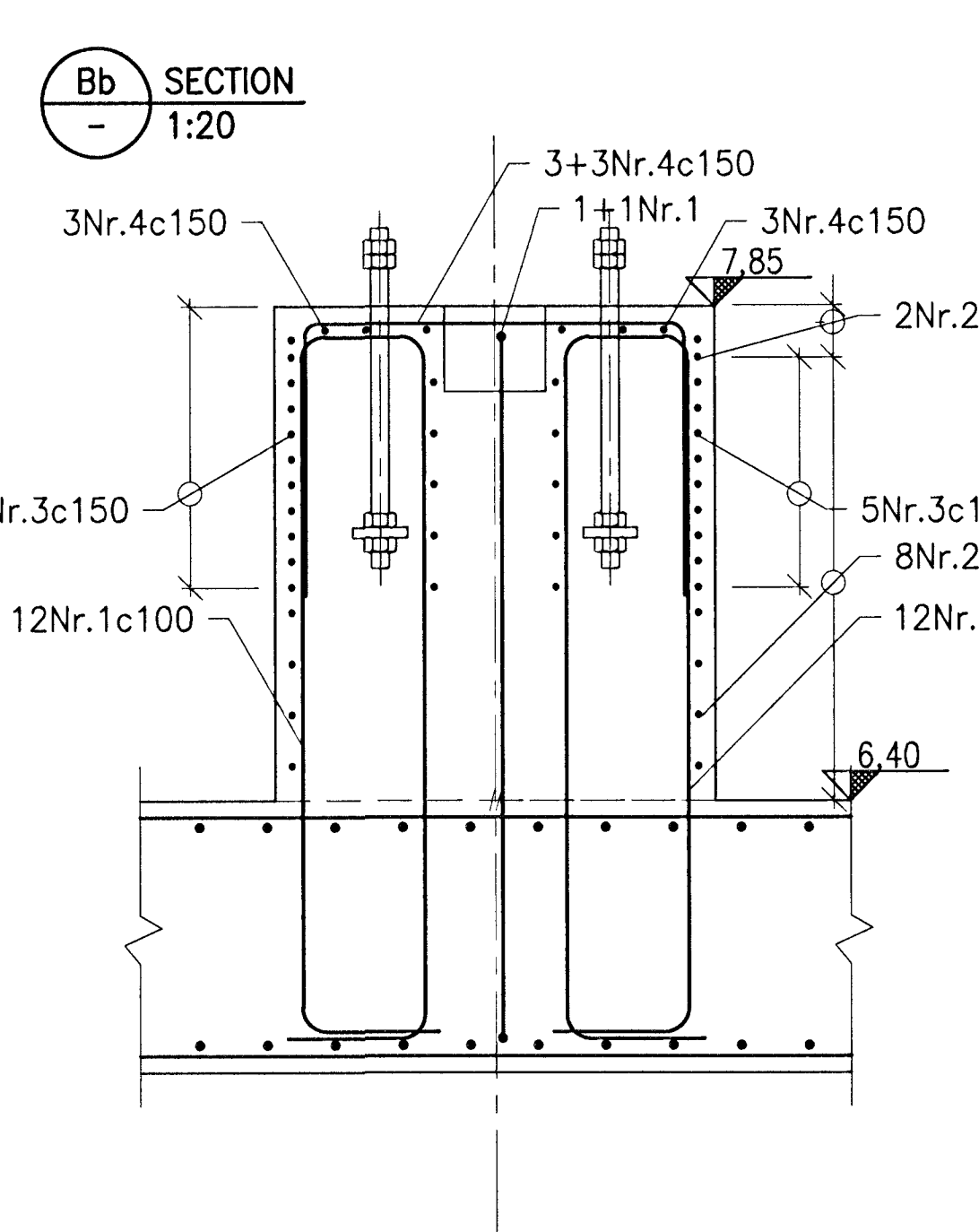
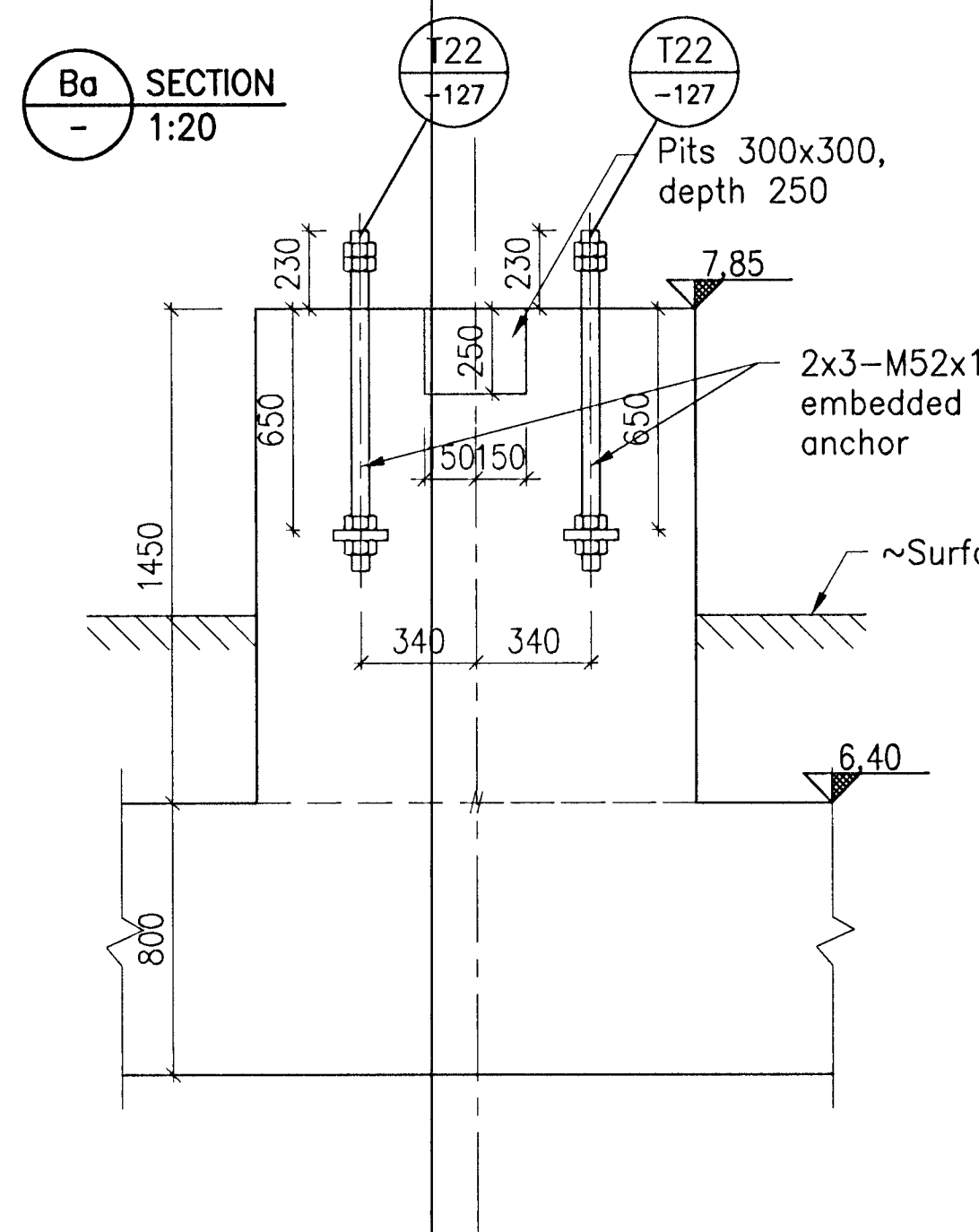
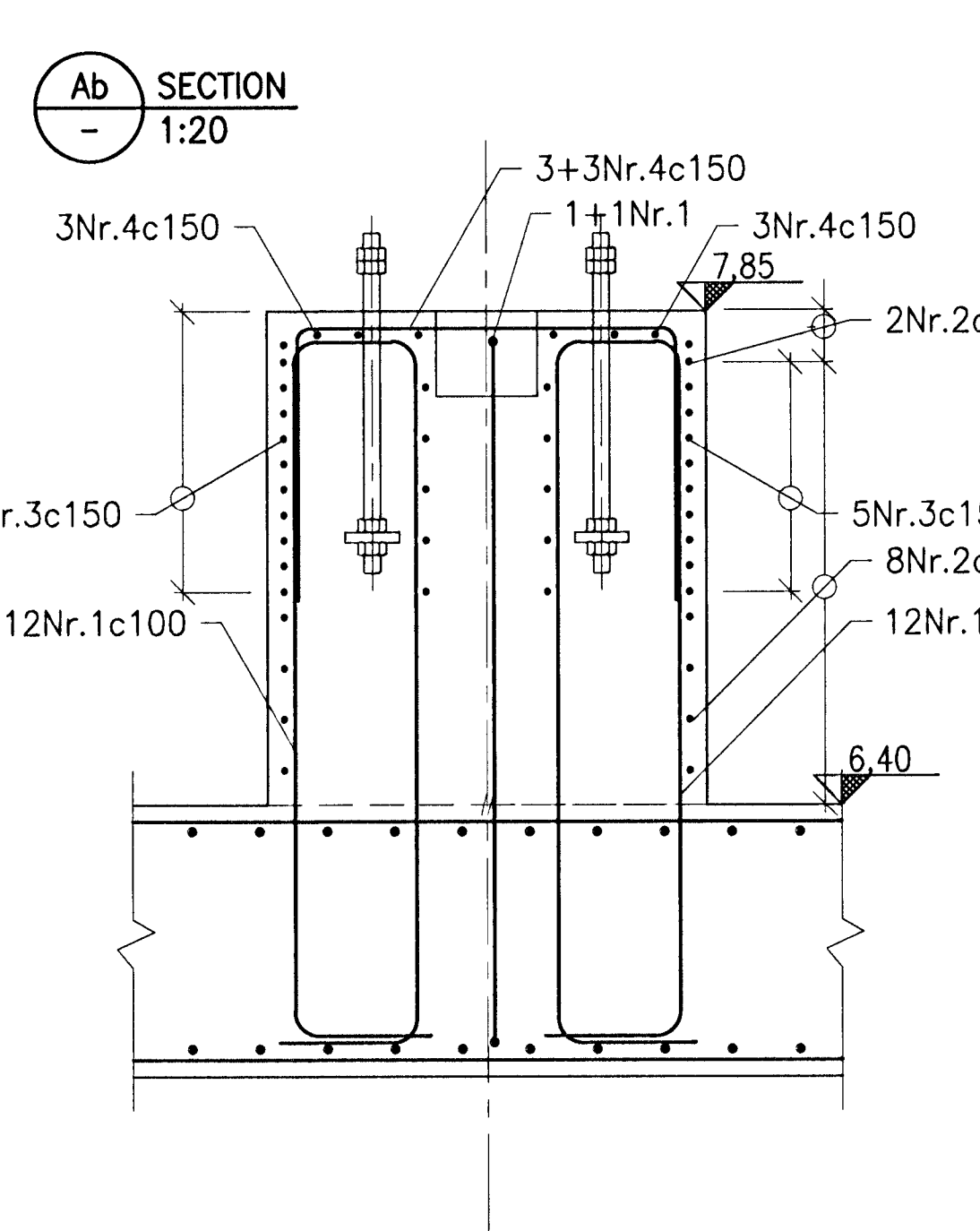
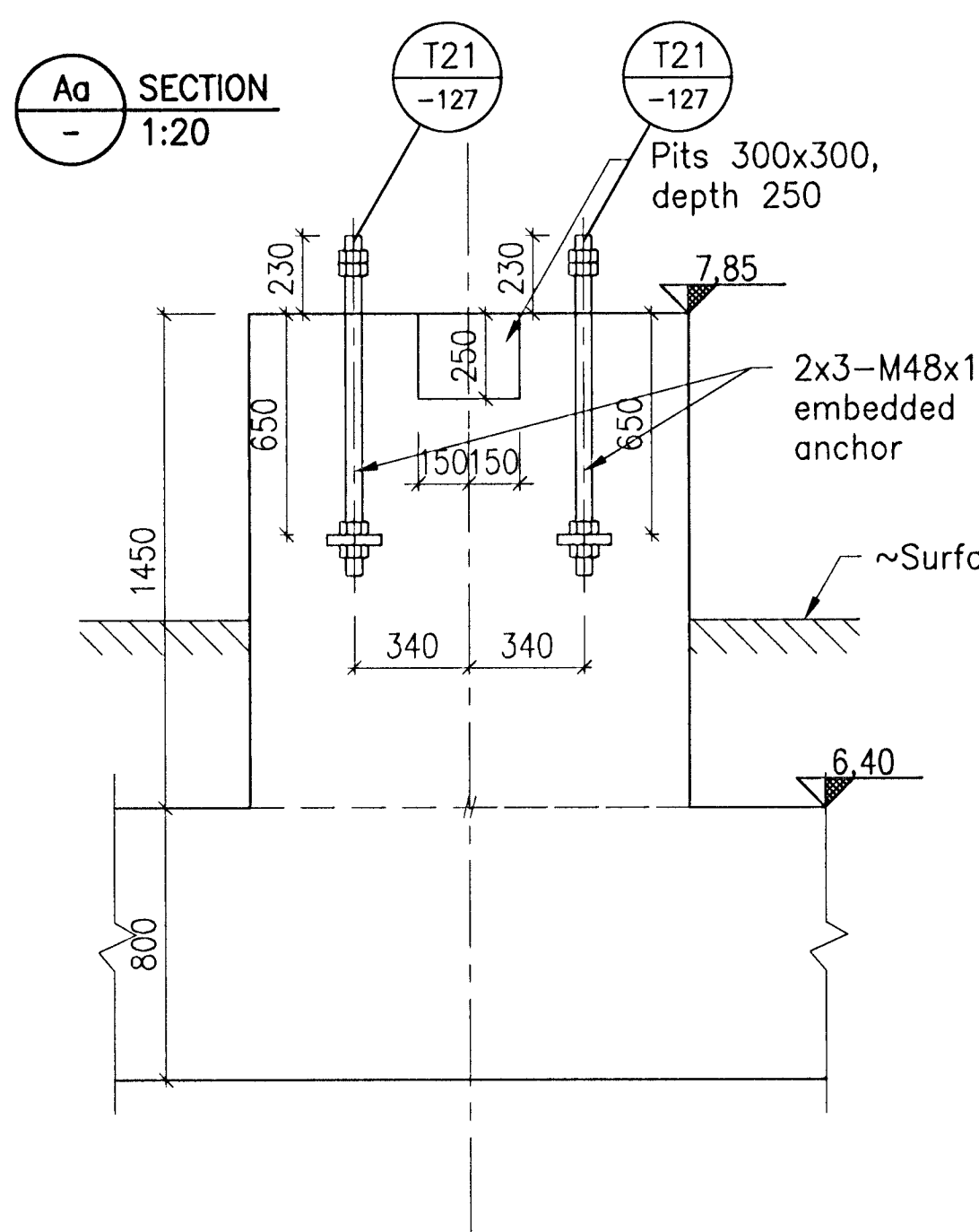
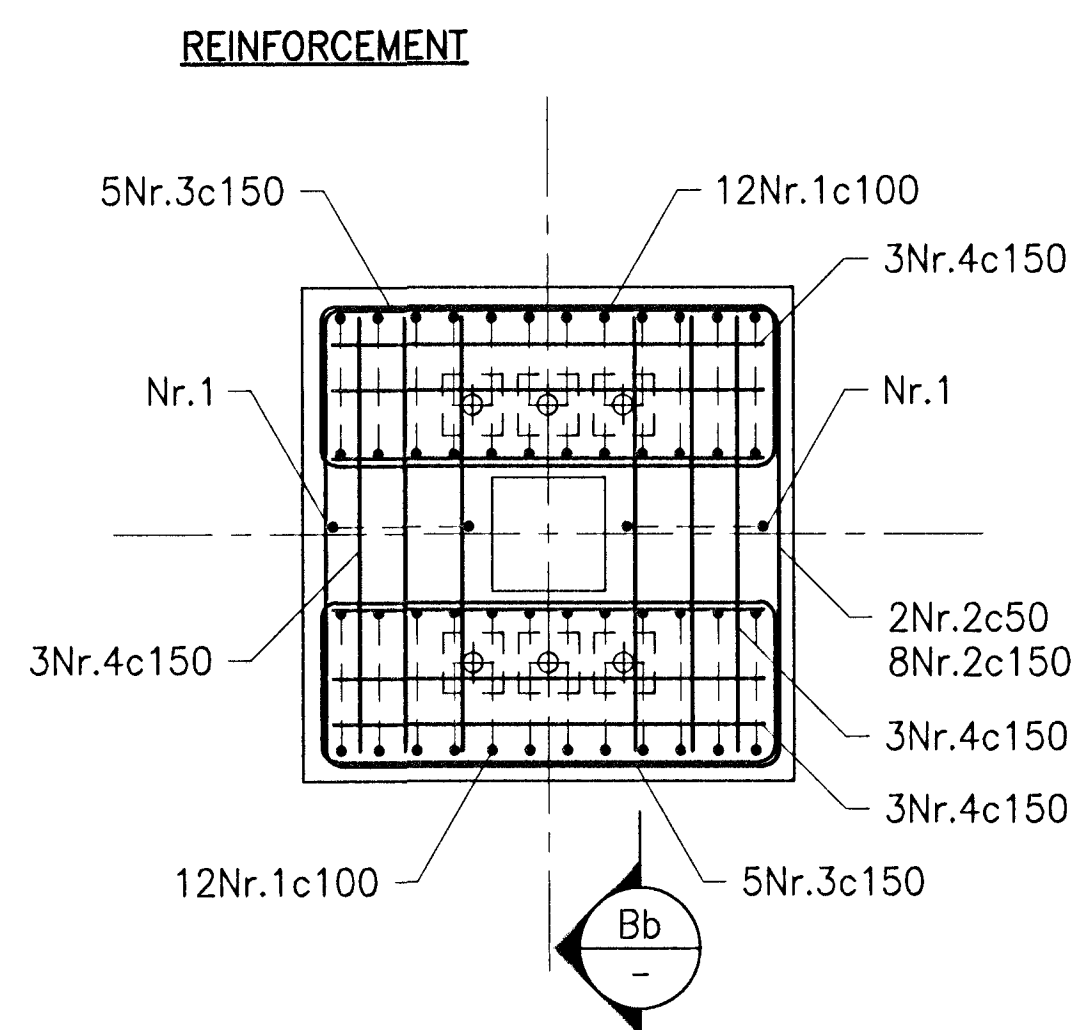
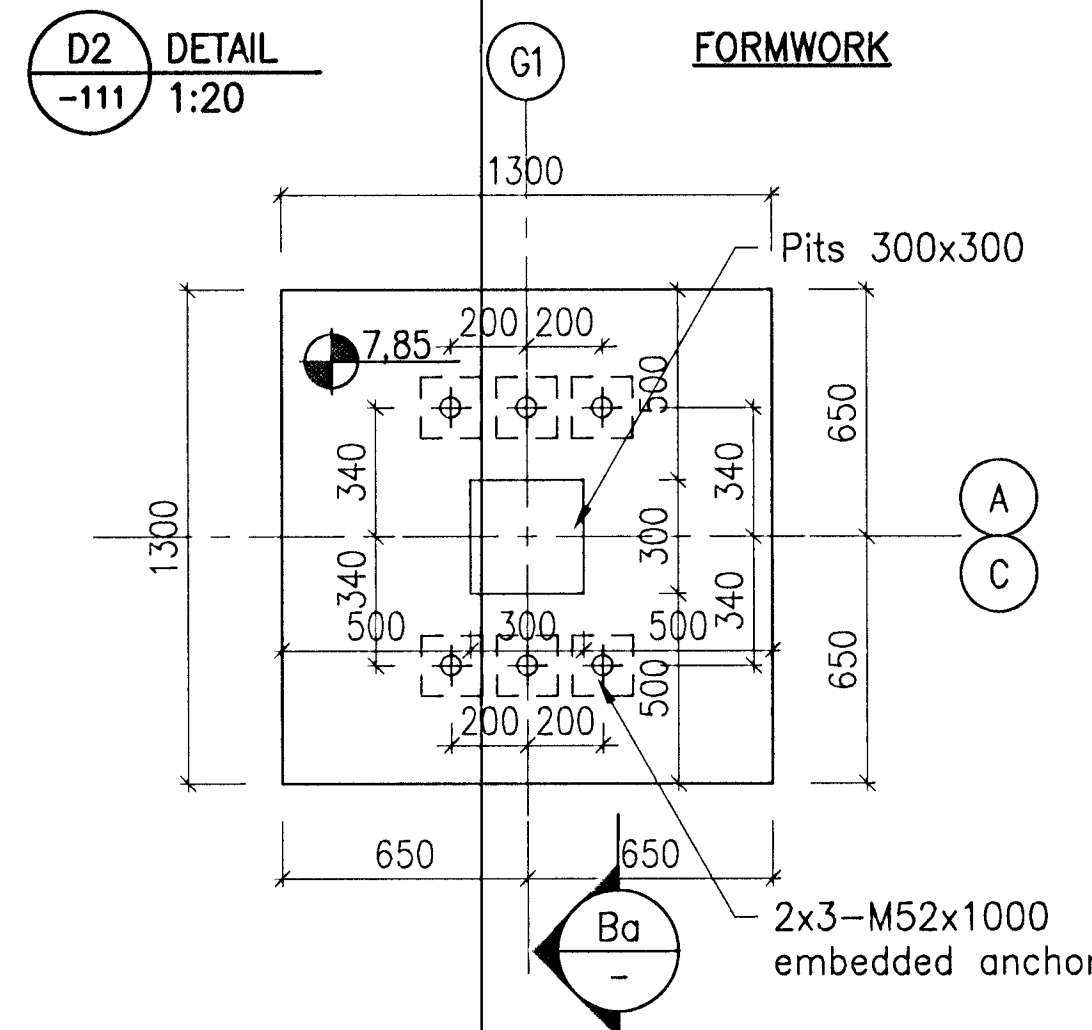
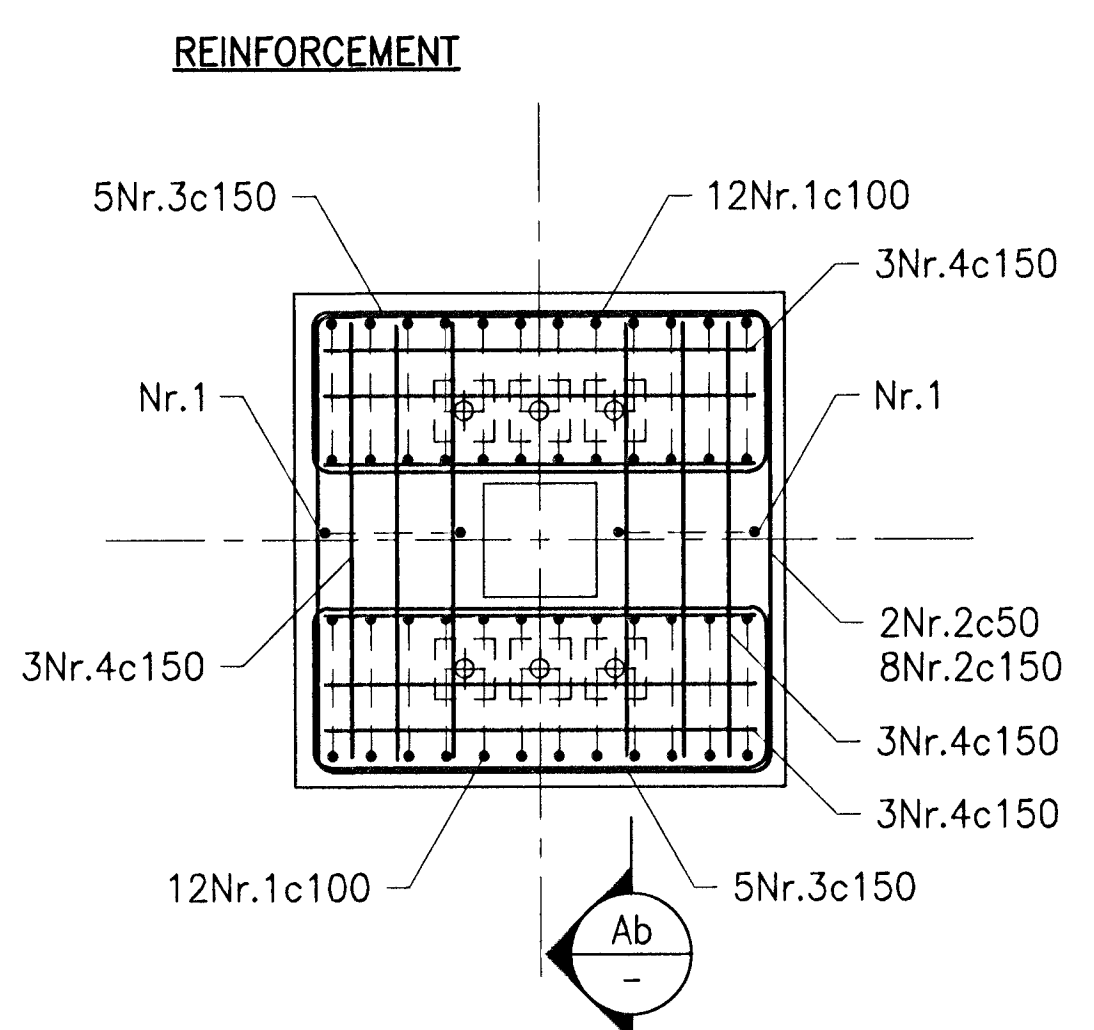
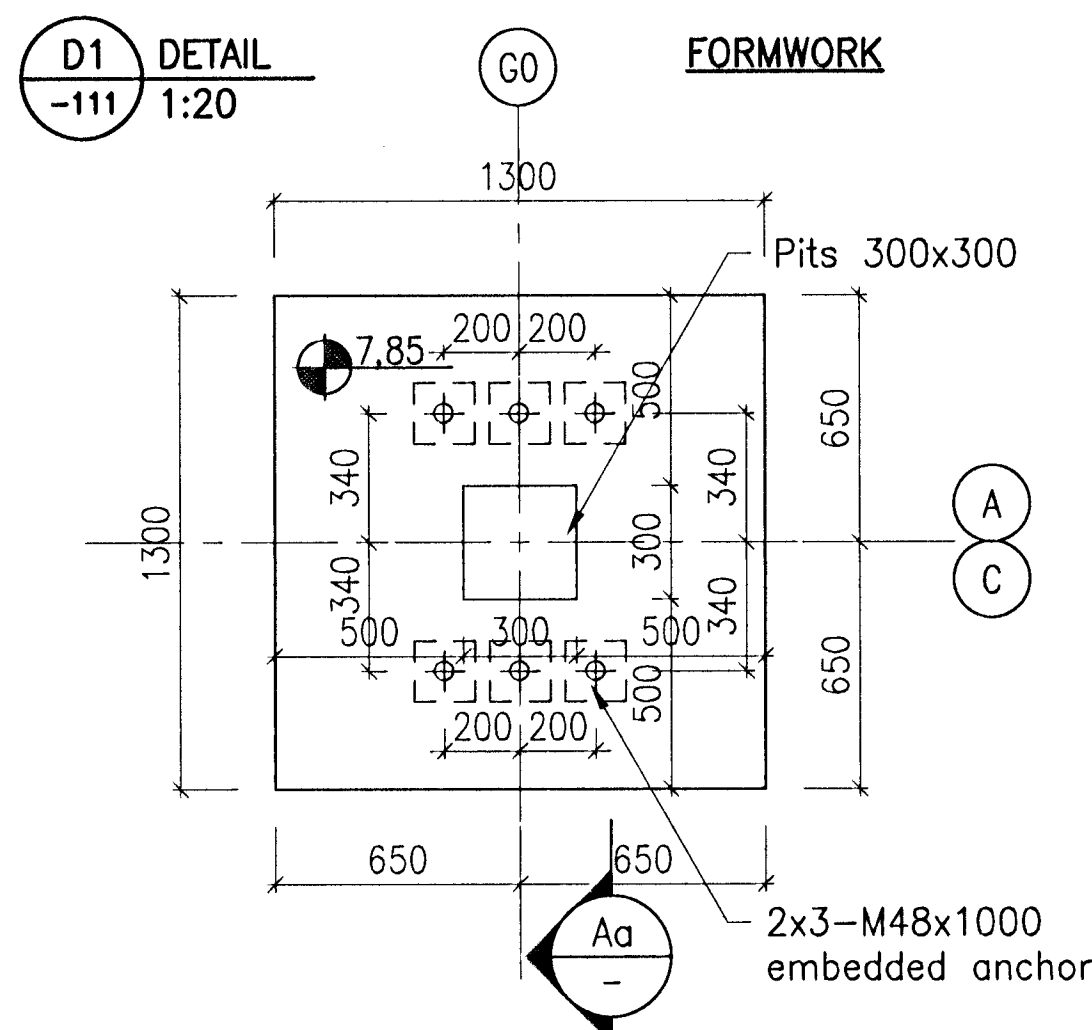
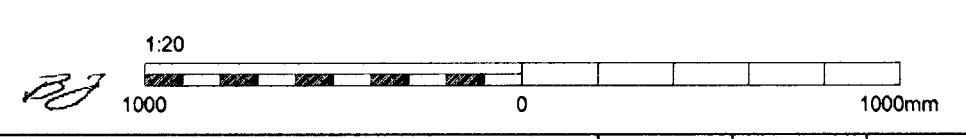
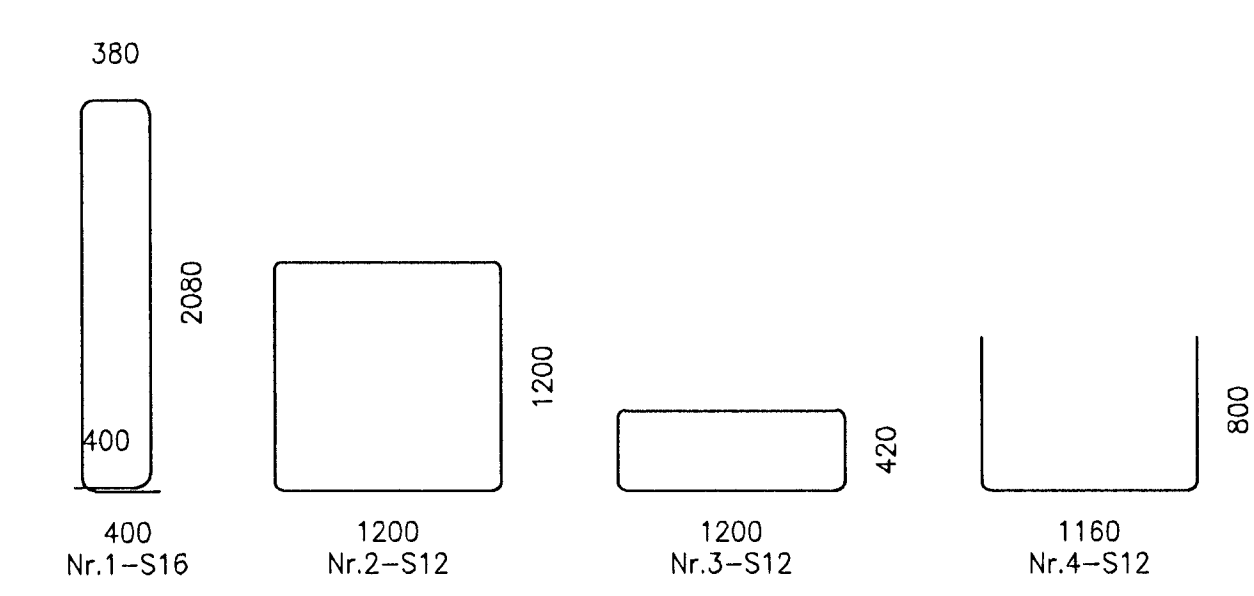


Samþykkt þann
05. júlí 2012
Byggingufulltrúi Hahnafríð
Fh. Hrólfur S. Gunnarsson

Níels Indriðason
Kt. 181144-3949



BAR SCHEDULE



Skýringar: General notes refer to drawing IPU-431-CA-017-101.
Legend: Concrete quality: C30/37;XF3-25
Forms for outside concrete corners shall be chamfered 30x30 mm.
Forms for pits shall have rough finish and the use of form-oil is not allowed.
Anchor bolts are to be fixed exactly into position before concreting.
Tread of bolts above top of concrete shall be protected at concrete work.

3	Issued for construction	2011.11.01	DEL	NI	IS															
Dwg no	Rev no	Issued	Design	Check	Draw	Rev	Rev	Rev	Rev	Rev	Rev	Rev	Rev	Rev	Rev	Rev	Rev	Rev	Rev	Rev

		Dagssetning / Date 2011.09.15		IPU-430 GAS TREATMENT GTC2A FILTER AREA, FOUNDATION DETAIL D1-D2		Flokkur nr.: Bláð nr.: Nasta bl. nr.:	
Hönnuð / Designed DEL		Tækn / Drawn DEL		Kostn. nr. - Dæna. / Bón. nr. - Eq. no.		AKS	
Vorkl. / Supplier HRV		Teg. teki / Approved NI		ISAL Alcan Iceland Ltd Straumsvík IS-222 Hafnarjörður Ísland		Tækn. nr. ISAL / Dwg. no. of ISAL Breyt./Rev. C	
Tækn. nr. / Verki. / Supplier dwg. no. IPU-431-CA-017-121		Yfirl. / Chkd NI		ISAL Yfirf. og skil. dags / ISAL Checked, date		ISAL Samþykkt, dags / ISAL Approved, date	