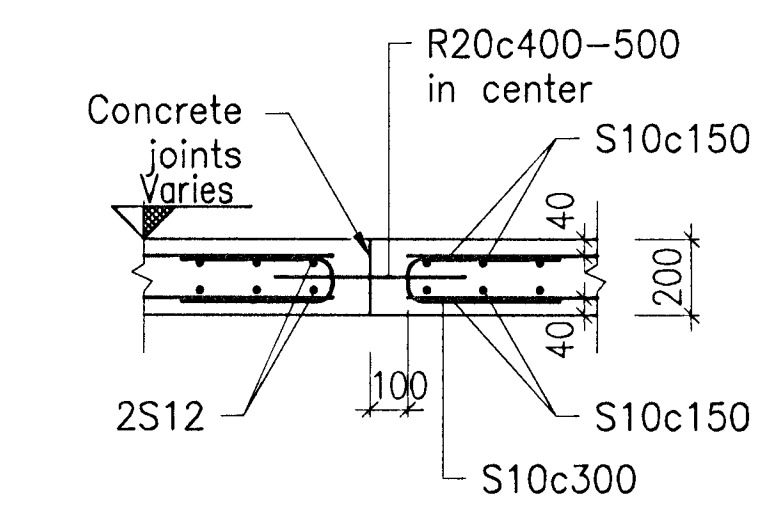


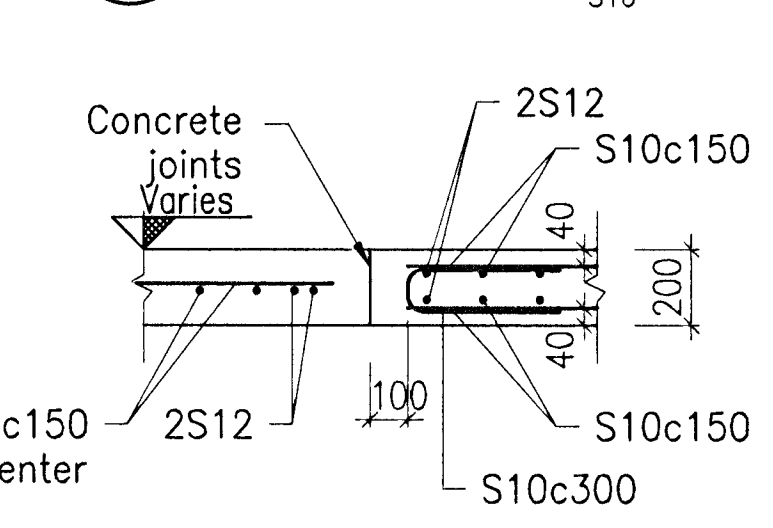
Samþykkt þann
05. júlí 2012
Bygginguvaldurinn Hálfarfiel
Fél. númer 5-Gunnlaugsson

Níels Indriðason
Kt. 181144-3949
Surface finish with brooming

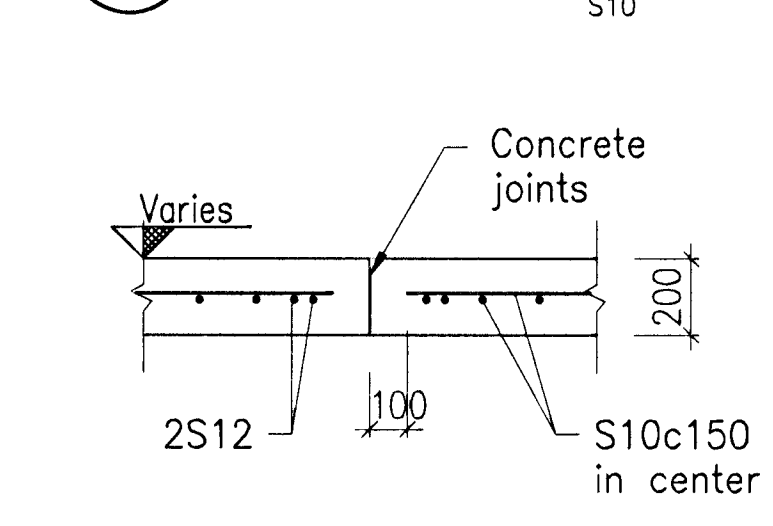
A SECTION
1:20



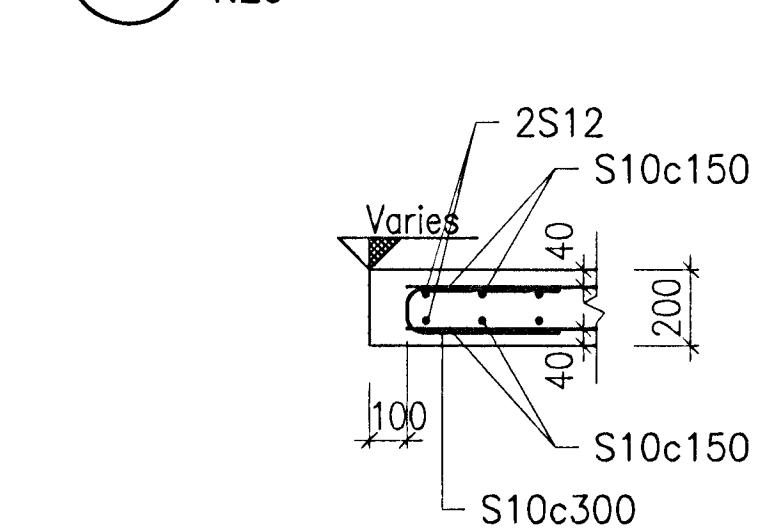
B SECTION
1:20



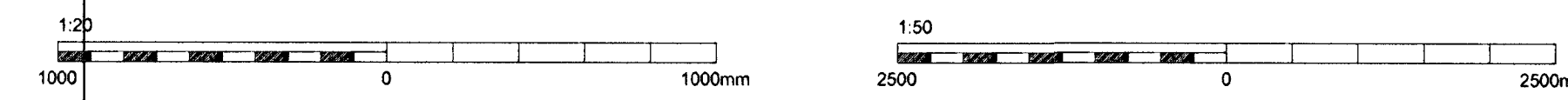
C SECTION
1:20



D SECTION
1:20



Surface finish with brooming



Skýringar: General notes refer to drawing IDP-431-CA-017-101.
Legend: Concrete quality: C30/37:XF3-25

Surface and EOP layout, refer to drawing IPU-431-C7-017-102.
Contours for concrete surface (1 cm interval).
Surface shall be non-slippery, finishing with brooming.

C:\IDP\04 IPU\400 Reduction\430 Gas Treatment\Drawings\Civil\IPU-431-CA-017-118.dwg

1		Issued for construction	2011.11.24	DEL	NI	PG														
Stig nr	Rev. no.	Lýsing	Description	Dagsetning	Date	Man/Teikn	Des/Draw	Yfir	Supp	Stjóri	Stjóri	Stjóri	Stjóri	Stjóri	Stjóri	Stjóri	Stjóri	Stjóri	Stjóri	Stjóri

This drawing is the property of Rio Tinto Alcan Iceland Ltd. and handed out for personal use only. It may neither be copied nor made available to others without permission of Rio Tinto Alcan Iceland Ltd. The receiver is liable for any misuse.

Stærð: A1 Mkv: 1:50/20
Scale: 1:50/20
Dimensions without tolerances according to IS 2188-1 medium.

HRV ENGINEERING

Dagsetning / Date: 2011.11.24
Hannað / Designed: DEL
Teikn / Drawn: DEL
Verktaki / Supplier: HRV
Teg. teikningar / Dwg. type: Formwork, Reinforcement

Teikn.nr. verktaka / Supplier dwno: IPU-431-CA-017-118
Samb. nkt / Approved: NI
Máli: / Part of:

Rio Tinto Alcan

IPU-430 GAS TREATMENT
GTC2A
FILTER AREA, IN-SITU CONCRETE PAVING
FORMWORK, REINFORCEMENT

Flokkur nr.: Búð nr.: Nasta bl.nr.:
Kostn.nr.-Cena. / Bú.nr.-Eq.no
AKS

ISAL
Iceland Ltd
Stjóri
IS-222 Hálfarfiel
Iceland

Teikn.nr. ISAL / Dwno. of ISAL: Breyt./Rev.:
C

ISAL Yfirfarð og skráð. dags. / ISAL Checked, date
ISAL Samþykkt, dags. / ISAL Approval, date