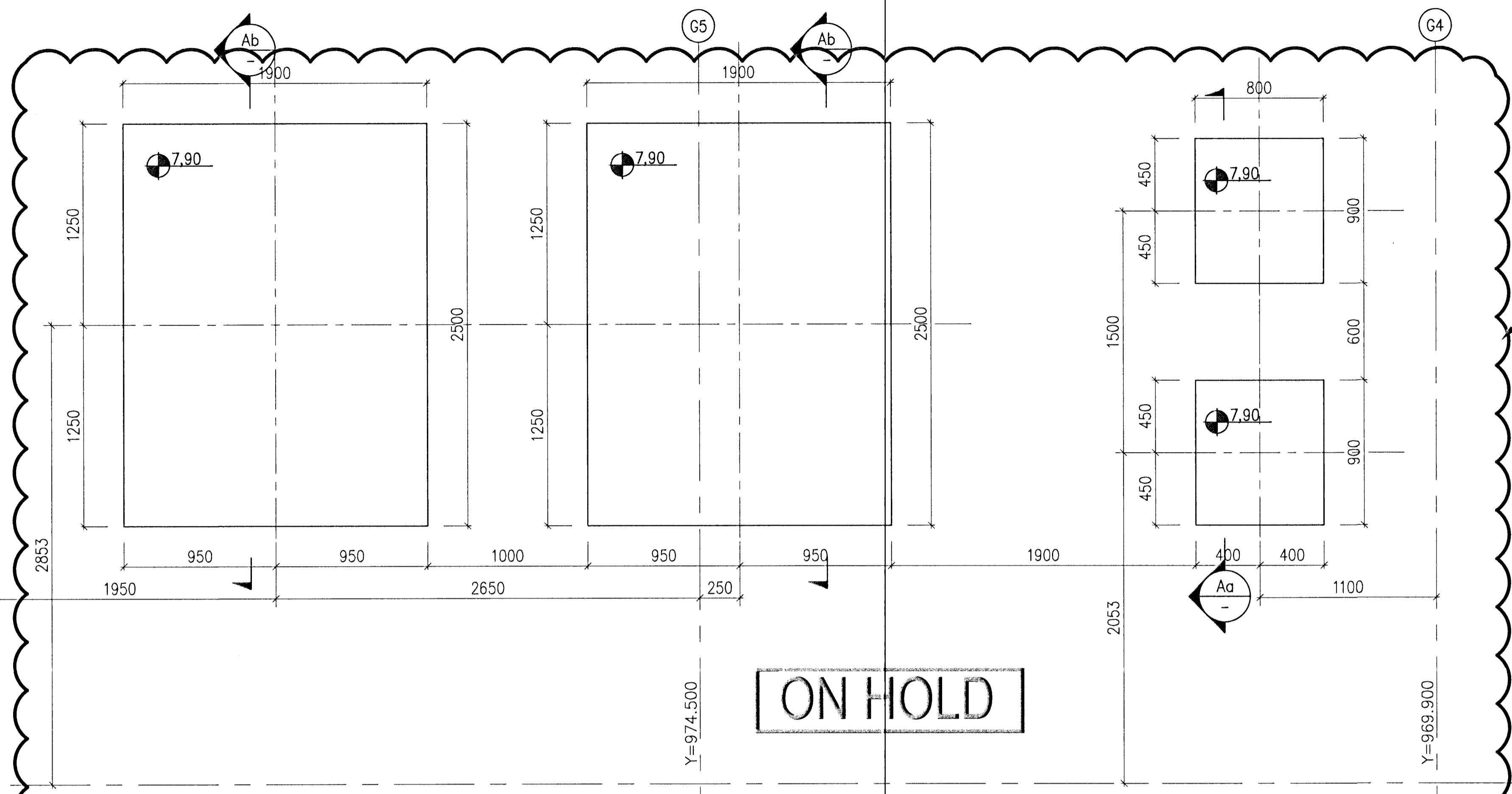
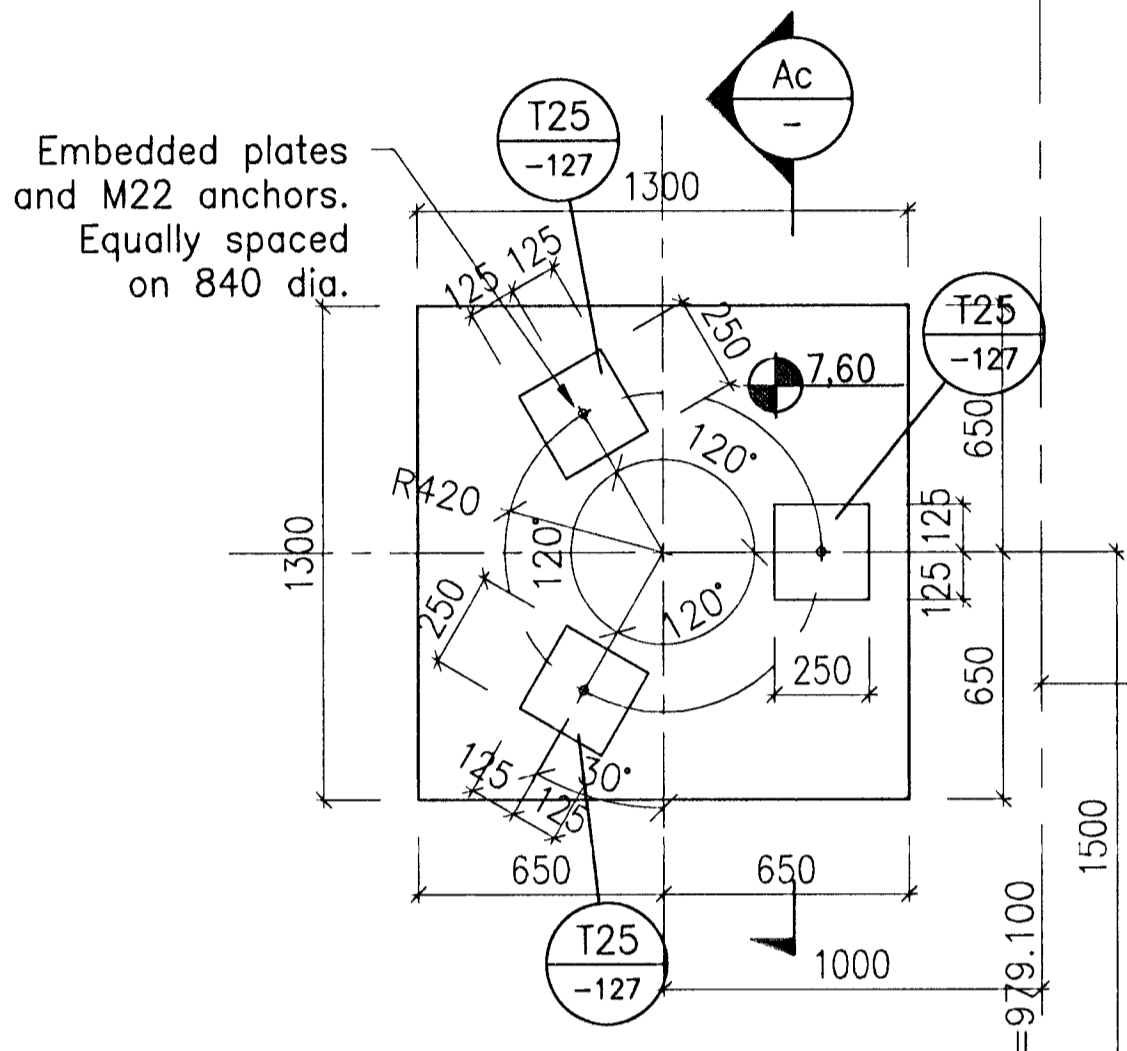


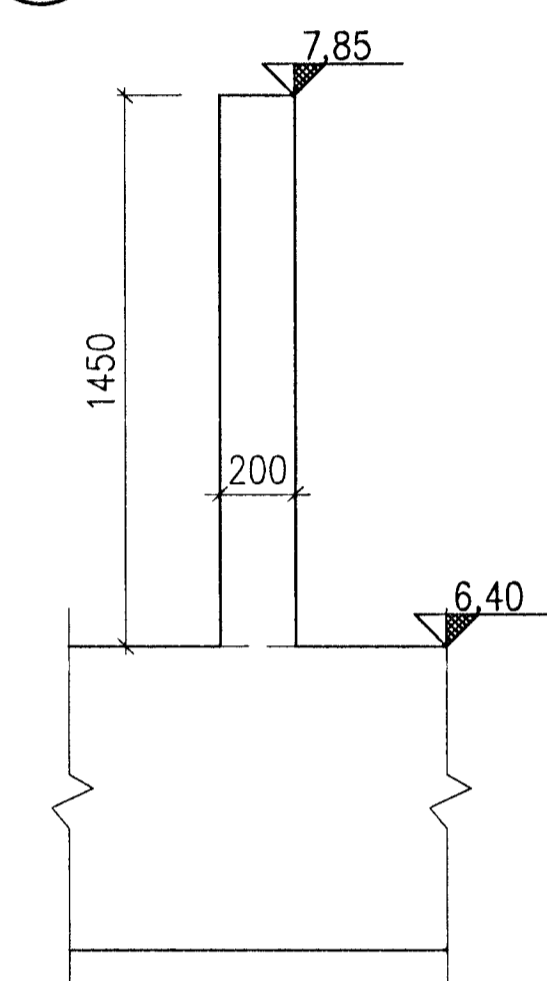
Sambýkkt þann  
05. júlí 2012  
Byggingufulltrúinn í Hafnarfirði  
Fél. Höfður S. Gunnlaugsson

Níels Indriásson  
Kt. 181144-3949

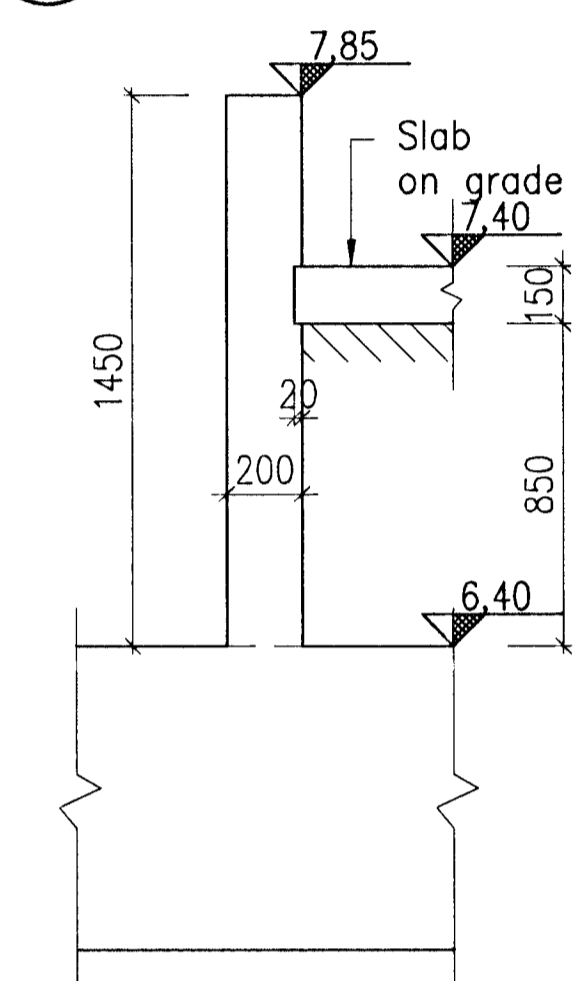
**B1** DETAIL, FAN ROOM, AIR TANK  
-111 1:20



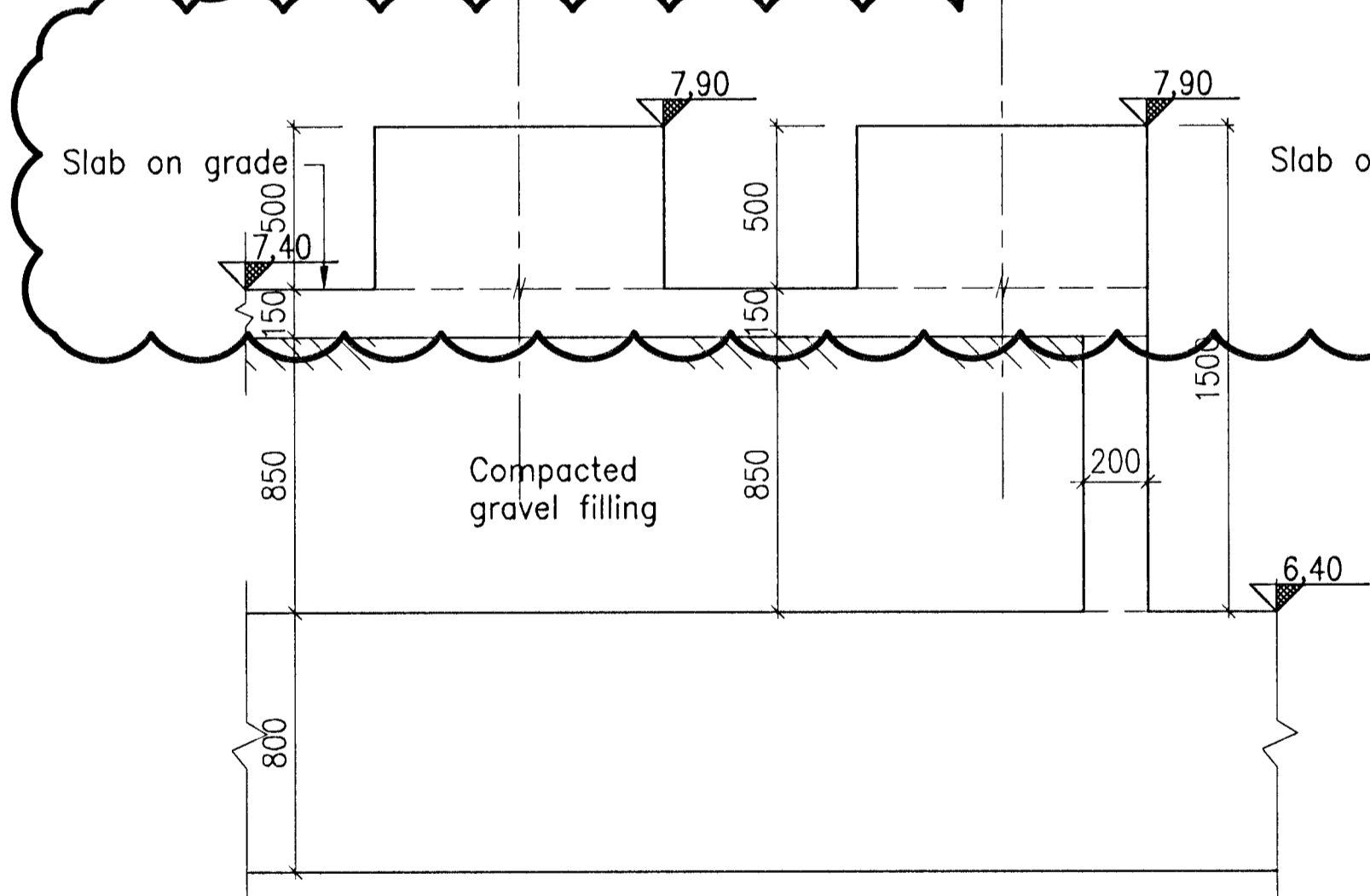
**B2** SECTION  
-111 1:20



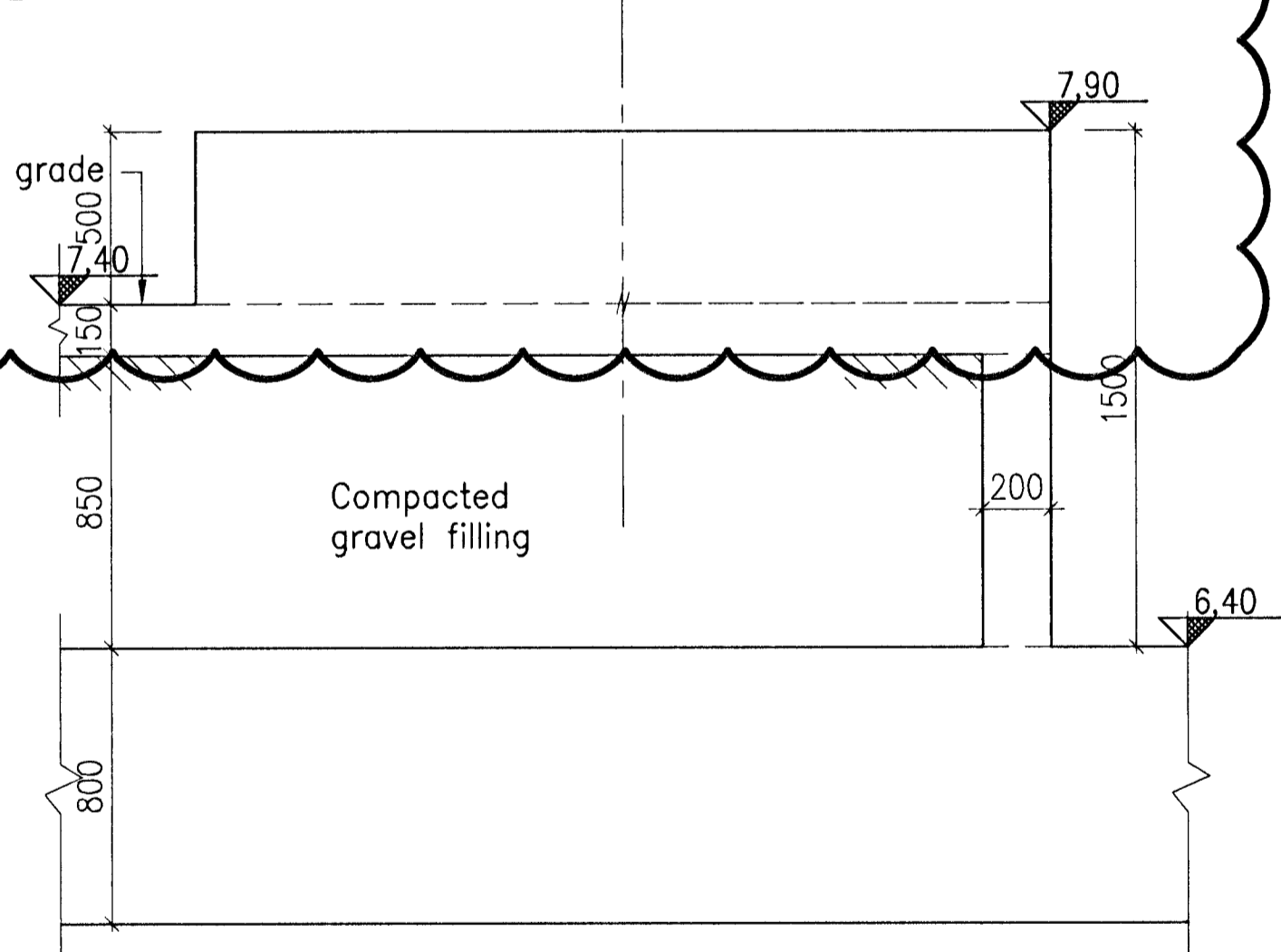
**B3** SECTION  
-111 1:20



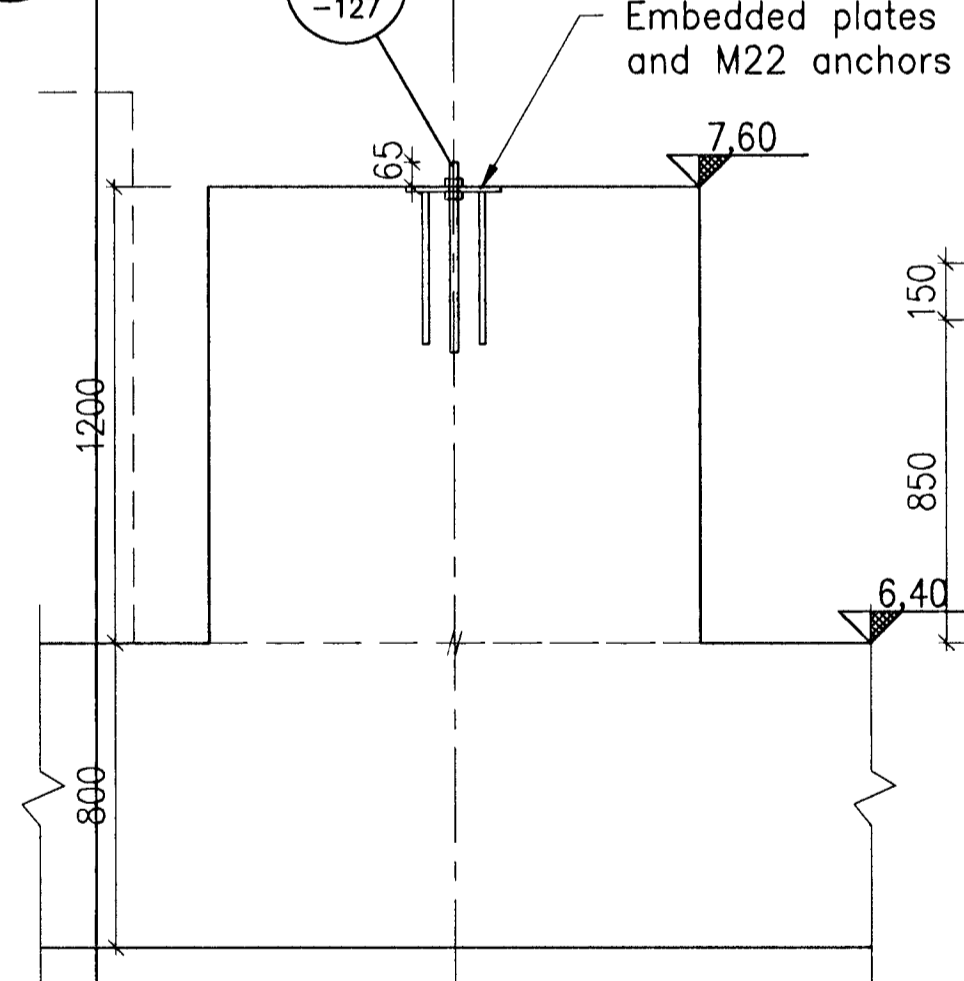
**Aa** SECTION  
- 1:20



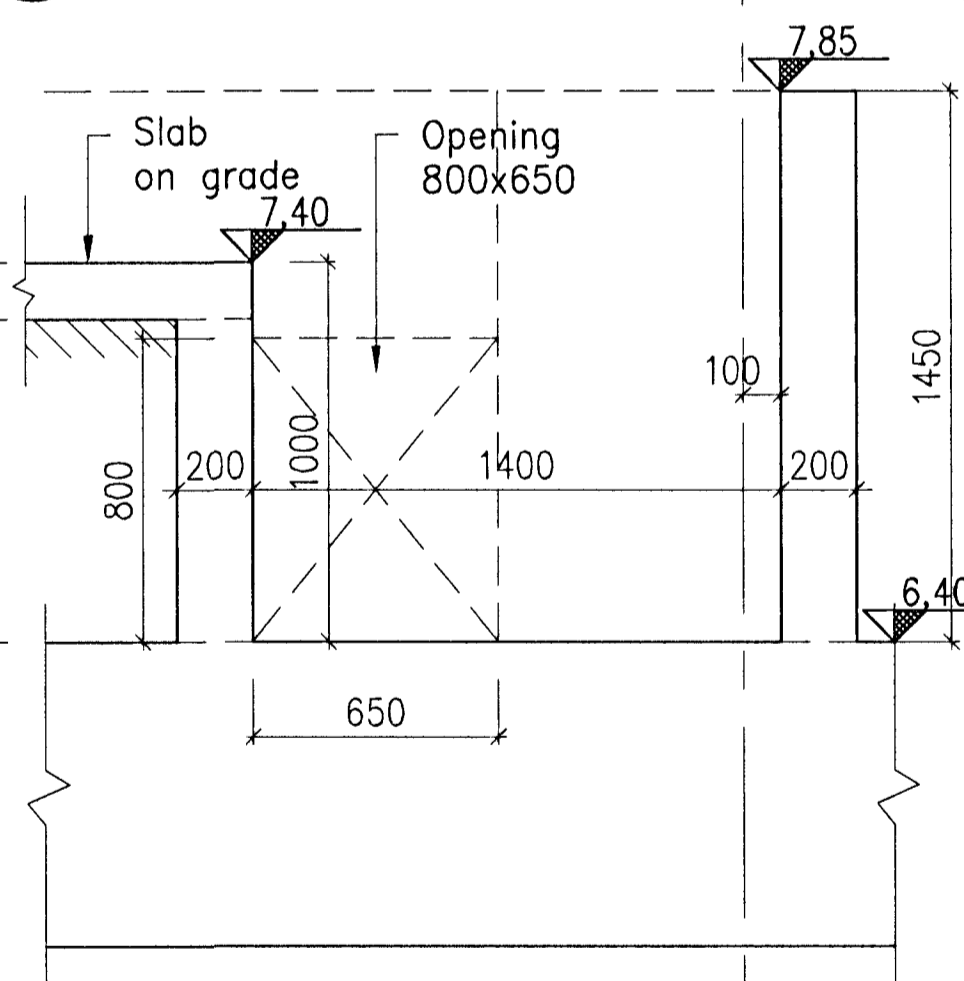
**Ab** SECTION  
- 1:20



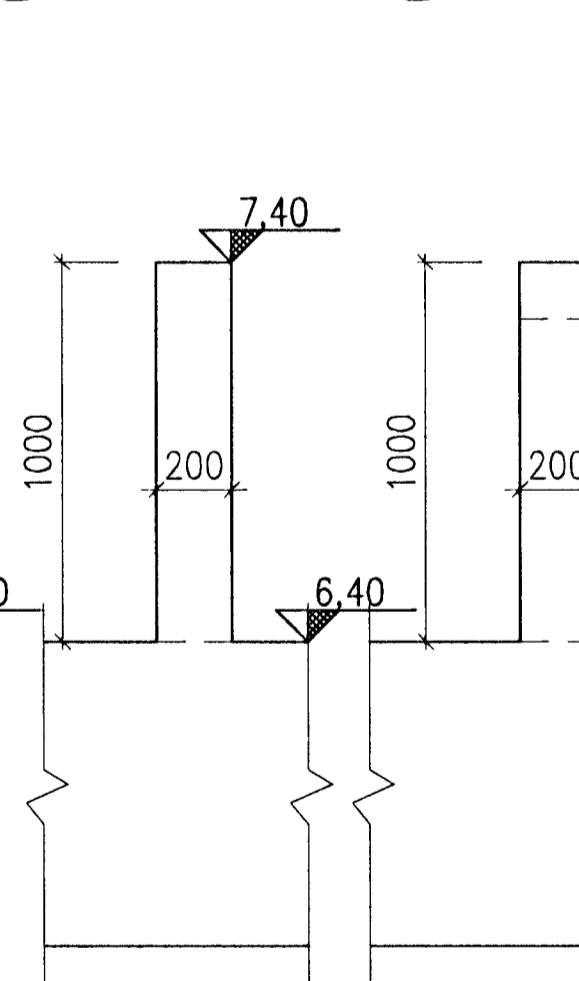
**Ac** SECTION  
- 1:20



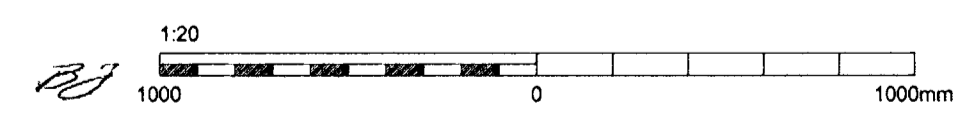
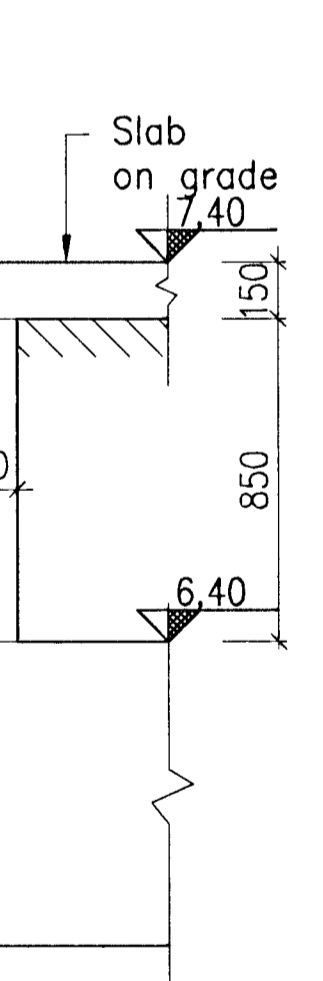
**B4** SECTION  
-111 1:20



**B5** SECTION  
-111 1:20



**B6** SECTION  
-111 1:20



Skýringar: General notes refer to drawing IPU-431-CA-017-101.  
Legend: Concrete quality: C30/37:XF3-25  
Forms for outside concrete corners shall be chamfered 30x30 mm.  
Anchor bolts are to be fixed exactly into position before concreting.  
Tread of bolts above top of concrete shall be protected at concrete work.

C:\DP\04 IPU\400 Reduction\430 Gas Treatment\Drawings\Civil\IPU-431-CA-017-114.dwg

4	Issued for construction	2011.11.01	PEL	NI	FG				
Ólg nr	Lýsing	Dagsetning	Han/Þin	Yfir	Notk heim	Notk heim	Notk heim	Notk heim	Notk heim
Rev no	Description	Date	Des/Drw	Chk	Suppl	Rel	ISAL	Rel	ISAL

This drawing is the property of Rio Tinto Alcan Iceland Ltd. and handed out for personal use only. It may neither be copied nor made available to others without permission of Rio Tinto Alcan Iceland Ltd. The receiver is liable for any misuse.

Stærð: A1 Mæki: 1:20  
Format: A1 Mæki: 1:20  
Dimensions without tolerances according to ISO 2768-1 medium.

**HRV ENGINEERING**

Dagsetning / Date: 2011.09.05  
Hannað / Designed: PEL  
Tekin / Drawn: PEL  
Vertakni / Supplier: HRV  
Teg. teikningar / Dwg. type: FORMWORK

IPU-430 GAS TREATMENT  
GTC2A  
FILTER AREA, FOUNDATION, FAN ROOM, AIR TANK

Flokkur nr.: Blað nr.: Nasta blnr.:  
Kostn.nr.-Cana. / Bgn.nr.-Eq.no

AKS

RioTintoAlcan

ISAL  
Tekn.nr. ISAL / Dwg.no. of ISAL  
Breyt./Rev. C

ISAL Vefiraró og skráð. dags / ISAL Checked, date  
ISAL Sambýkkt, dags / ISAL Approved, date