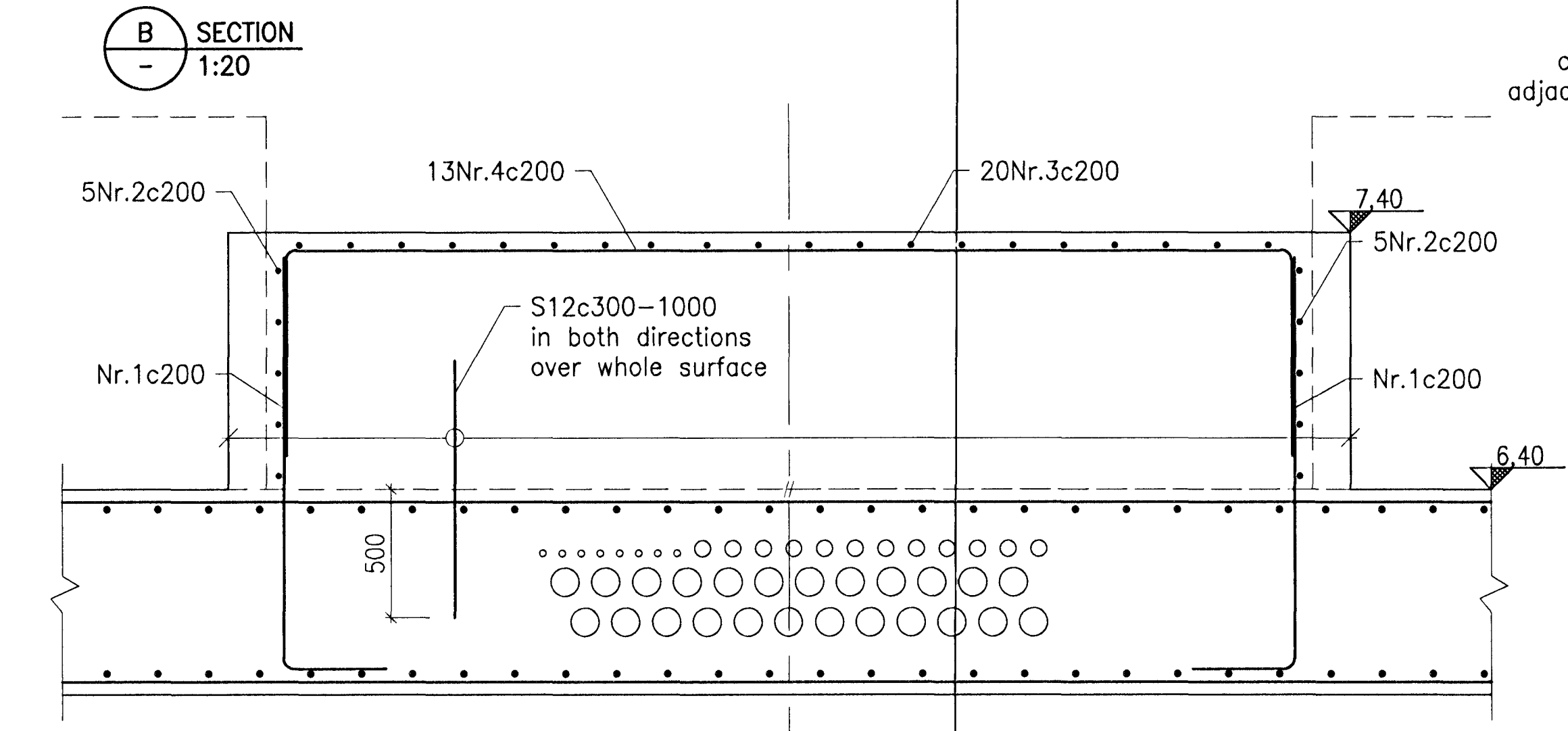
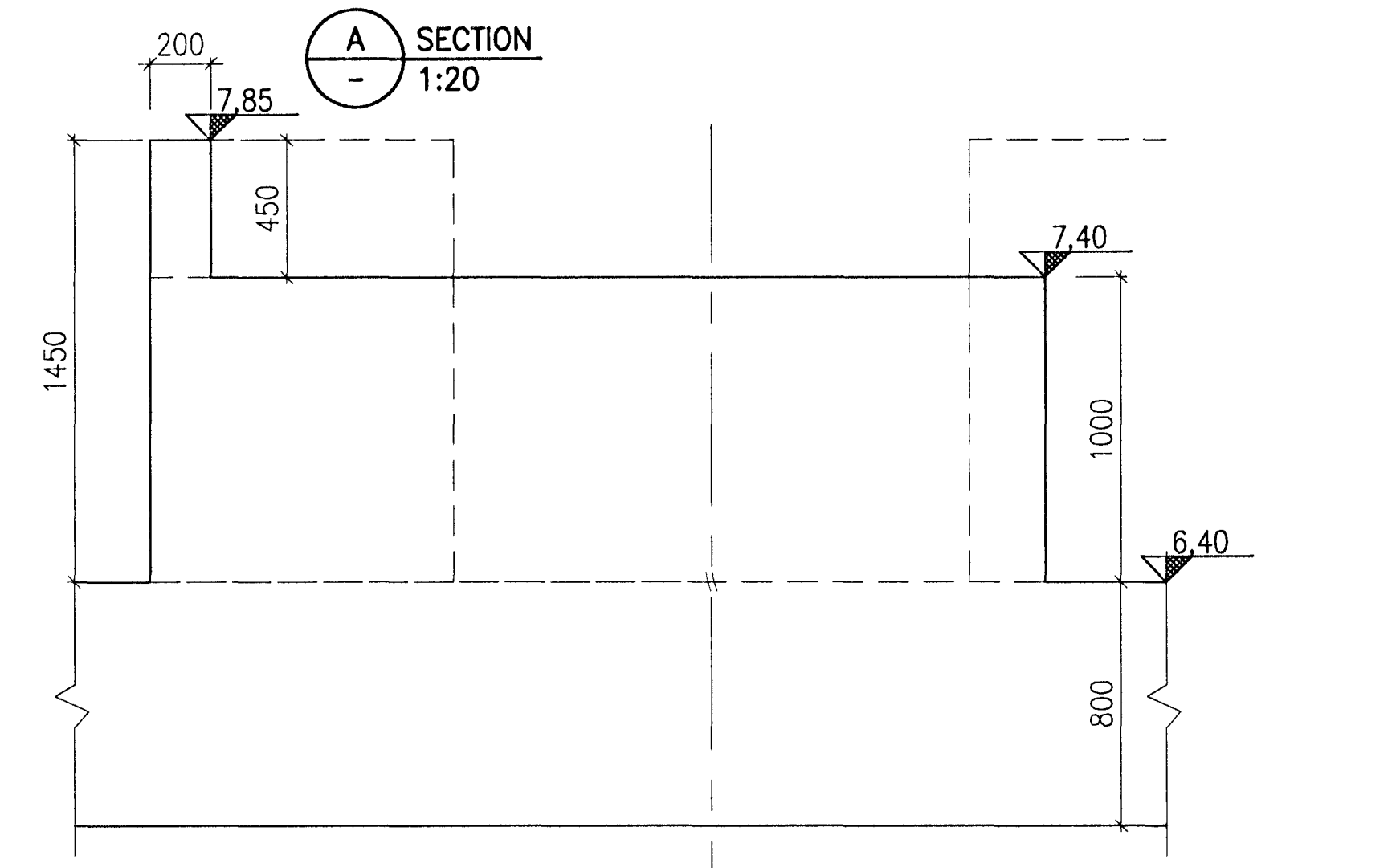
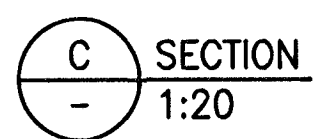
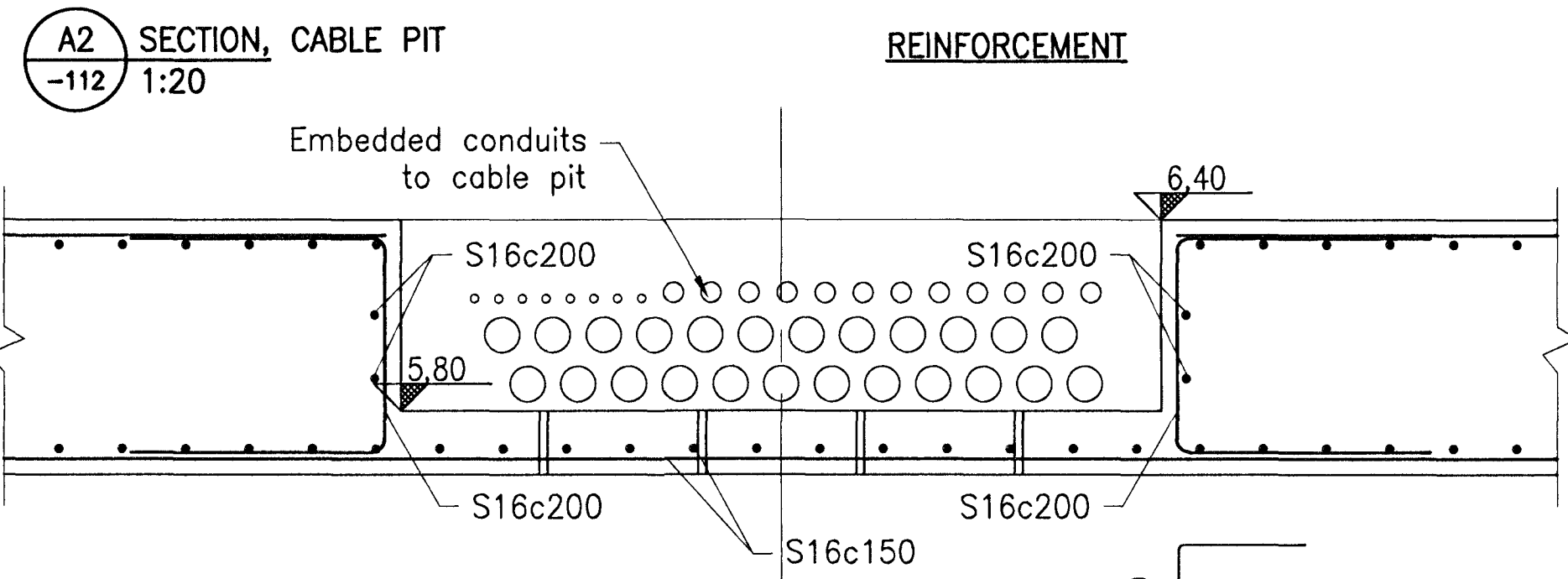
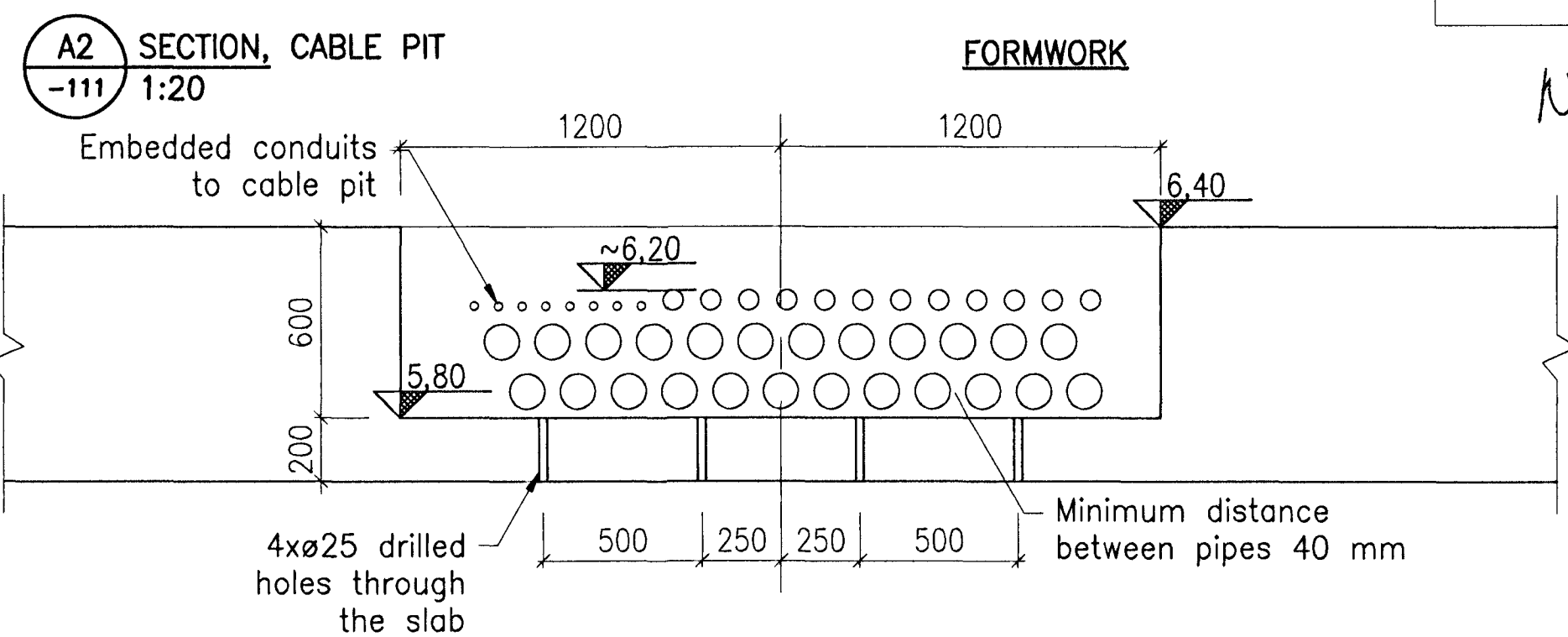
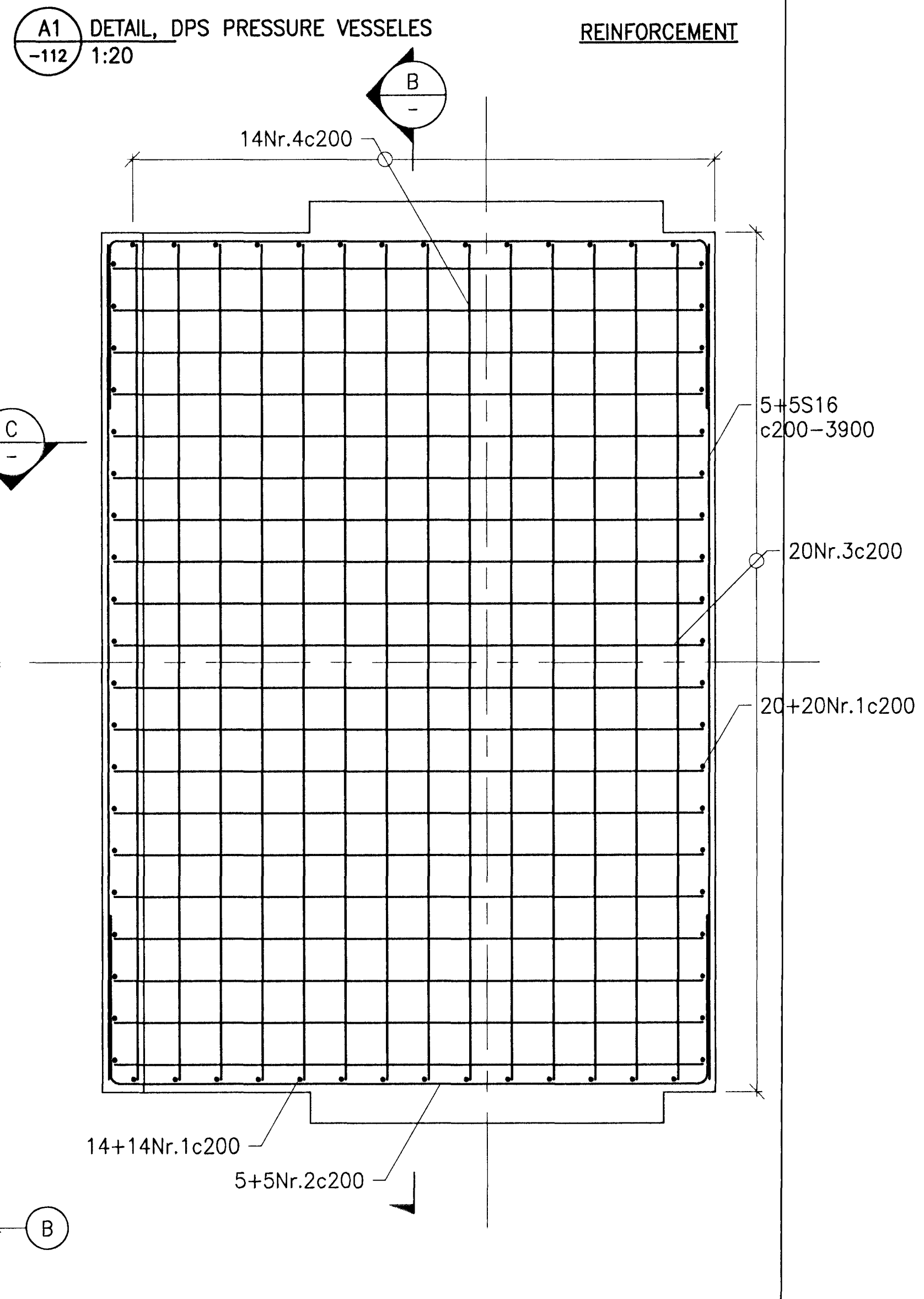
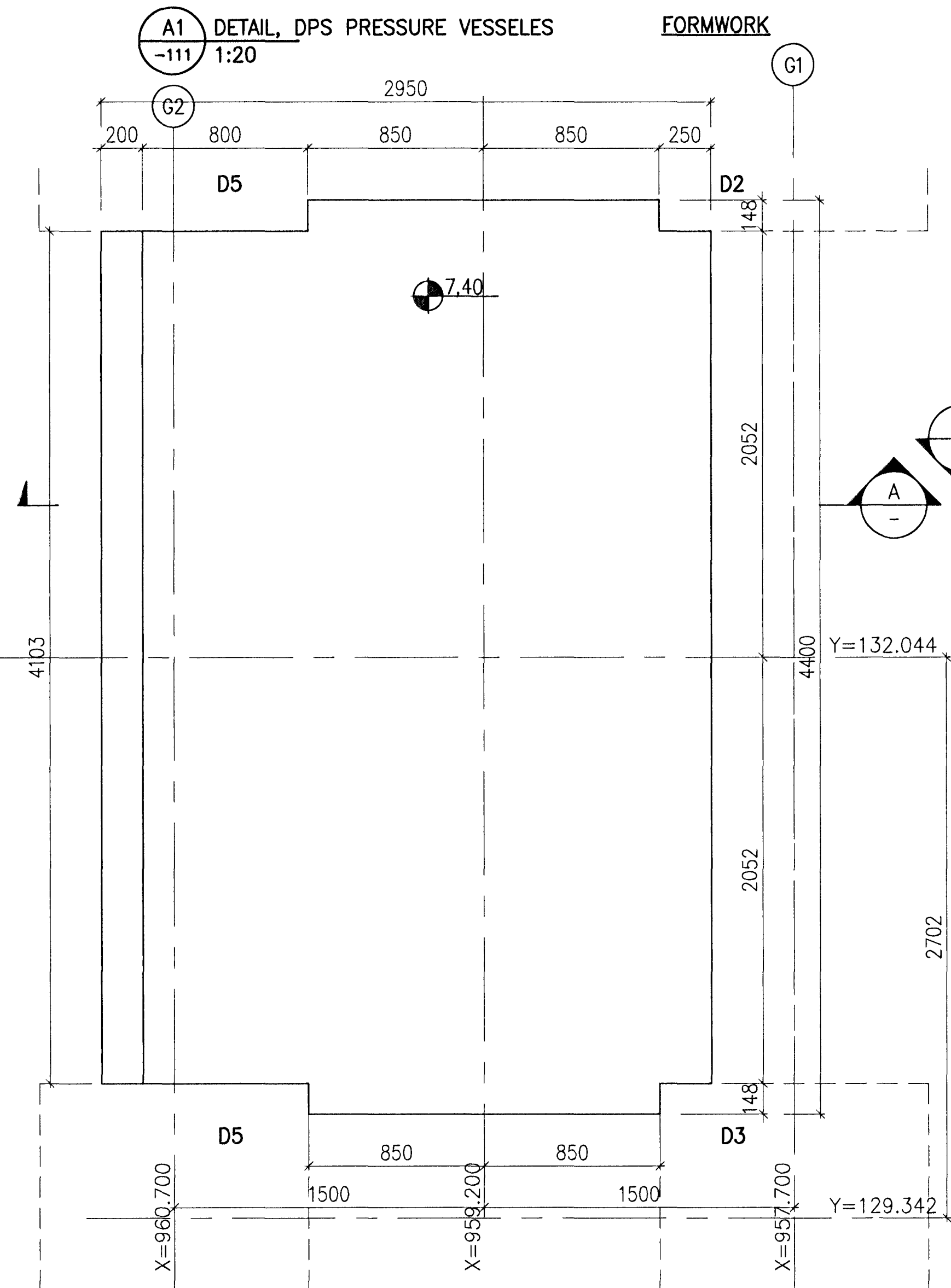
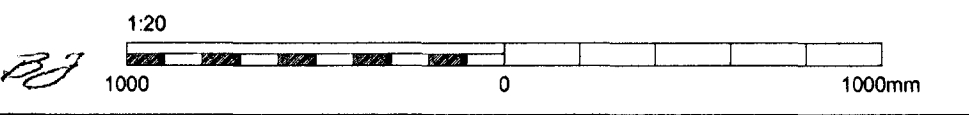
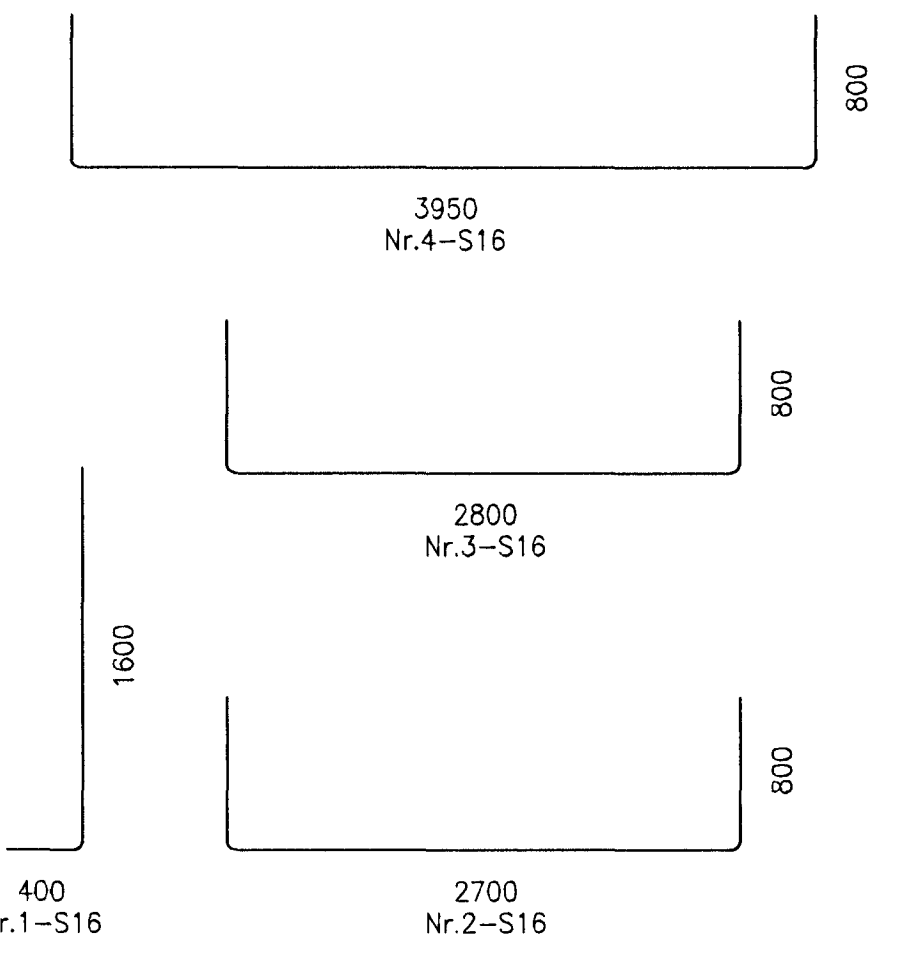


Níels Indriðason  
Kt. 181144-3949



BAR SCHEDULE



Skýringar: General notes refer to drawing IPU-431-CA-017-101.  
Legend: Concrete quality: C30/37:XF3-25  
Forms for outside concrete corners shall be chamfered 30x30 mm.  
Embedded conduits to cable pit, refer to electrical drawings IPU-431-FJ-017-101 and IPU-431-FB-017-101 to -103.

C:\DP\04 IPU\400 Reduction\430 Gas Treatment\Drawings\Civil\IPU-431-CA-017-113.dwg

|        |                         |            |          |      |       |       |       |       |       |
|--------|-------------------------|------------|----------|------|-------|-------|-------|-------|-------|
| 3      | issued for construction | 2011.11.01 | DEL      | NI   | PE    |       |       |       |       |
| Sign   | Description             | Dagsetning | Haf/Ön   | Yfir | Stjór | Stjór | Stjór | Stjór | Stjór |
| Rev no |                         | Date       | Des/Draw | Chk  | Suppl | Rel   | ISAL  | Rel   |       |

|  |             |
|--|-------------|
| This drawing is the property of Rio Tinto Alcan Iceland Ltd. and handed out for personal use only. It may neither be copied nor made available to others without permission of Rio Tinto Alcan Iceland Ltd. The receiver is liable for any misuse. |             |
| Stærð: A1  | Mkv.: 1:20  |
| Formát: HRV  | Skala: 1:20 |
| Dimensions without tolerances according to ISO 2768-1 medium.  |             |



|                                       |                    |
|---------------------------------------|--------------------|
| Dagsetning / Date                     | 2011.09.15         |
| Hönnuð / Designed                     | DEL                |
| Tekni / Drawn                         | DEL                |
| Verktaki / Supplier                   | HRV                |
| Tekni.nr./verktaka / Supplier drw.no. | IPU-431-CA-017-113 |
| Samb.átt / Approved                   | Yfir / Chkd        |
| Hluti af / Part of                    | NI                 |

|  |  |  |   |           |                |
|--|--|--|---|-----------|----------------|
| IPU-430 GAS TREATMENT                            |  |  | Flokkur nr.:                              | Bláð nr.: | Nesta bl. nr.: |
| GTC2A  |  |  | Kostn.nr.-Gæna. / Bón.nr.-Eq.no           |           |                |
| FILTER AREA, FOUNDATION FOR DPS PV, CABLE PIT    |  |  | AKS                                       |           |                |
| FORMWORK, REINFORCEMENT                          |  |  | AKS                                       |           |                |
| RioTintoAlcan                                    |  |  | ISAL                                      |           |                |
| Alcan Iceland Ltd                                |  |  | Teikn.nr. ISAL / Drw.no. of ISAL          |           |                |
| IS-222 Hafnarforðingur                           |  |  | Breyt./Rev                                |           |                |
| Iceland  |  |  | C   |           |                |
| ISAL Yfirráð og ák.áð. dags / ISAL Checked, date |  |  | ISAL Samþykkt, dags / ISAL Approved, date |           |                |