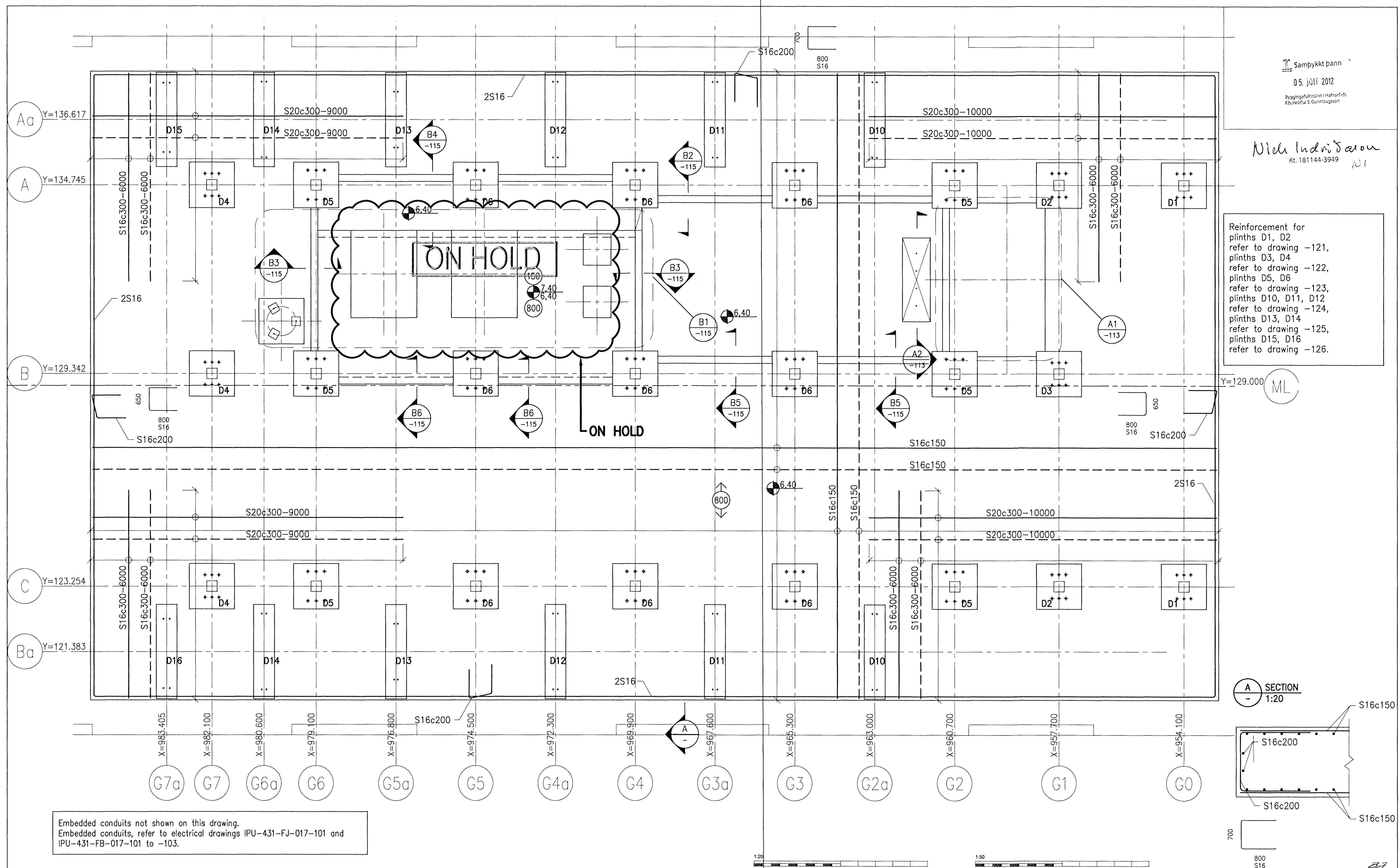


Samþykkt þann  
05. júlí 2012  
Byggingafræðingur / Háskólinn í Hálfarfinni  
Eldhólfur S. Gunnlaugsson

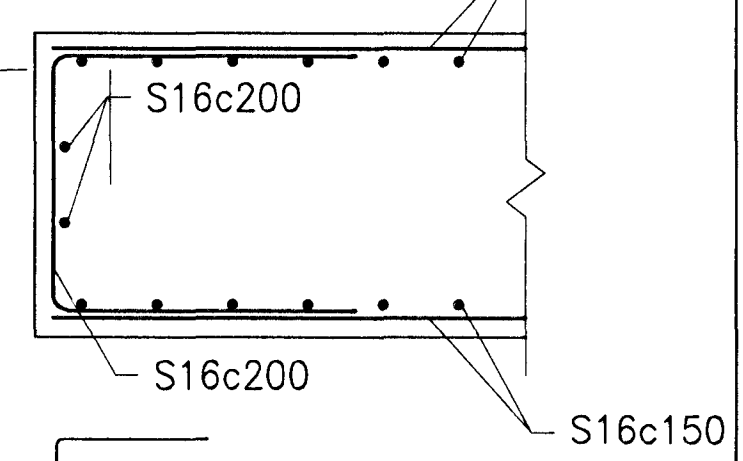
Níel Indriðsson  
Kt. 181144-3949

Reinforcement for  
plinths D1, D2  
refer to drawing -121,  
plinths D3, D4  
refer to drawing -122,  
plinths D5, D6  
refer to drawing -123,  
plinths D10, D11, D12  
refer to drawing -124,  
plinths D13, D14  
refer to drawing -125,  
plinths D15, D16  
refer to drawing -126.



Embedded conduits not shown on this drawing.  
Embedded conduits, refer to electrical drawings IPU-431-FJ-017-101 and  
IPU-431-FB-017-101 to -103.

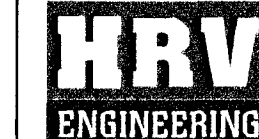
A SECTION  
1:20



Skýringar: General notes refer to drawing IPU-431-CA-017-101.  
Legend: Concrete quality: C30/37:XF3-25

3	Issued for construction	2011.11.01	DEL	NI	PE
Dlg nr	Lýsing	Dagsetning	Höf / Tn	Yf / Dk	Netk heim
Rev no	Description	Date	Des / Dr	Chk	Suppl

This drawing is the property of  
Rio Tinto Alcan Iceland Ltd.  
and handed out for personal use only.  
It may neither be copied nor made  
available to others without permission of  
Rio Tinto Alcan Iceland Ltd.  
The receiver is liable for any misuse.  
Star: A1 Mkv: 1:50/20  
Fármál: IPU-431-CA-017-112  
Scale: 1:50/20  
Dimensions without tolerance  
according to ISO 2768-1 medium.



Dagsetning / Date	2011.09.15
Hönnað / Designed	DEL
Tekni / Drawn	DEL
Verktaki / Supplier	HRV
Tekni nr. verktaka / Supplier drw. no.	
Fármál / Approved	NI
Yf / Chkd	NI
Hluti af / Part of:	

IPU-430 GAS TREATMENT GTC2A FILTER AREA, FOUNDATION PLATE			Flokkur nr.:	Bláð nr.:	Nesta bln. nr.:
REINFORCEMENT			Kostn. nr. - Cóno. / Bón. nr. - Eq. no.		
Rio Tinto Alcan			Tekni nr. ISAL / Drw. no. of ISAL	Breyt./Rev.	C
ISAL Vefur og ákæð, dags / ISAL Checked, date			ISAL Samþykkt, dags / ISAL Approved, date		