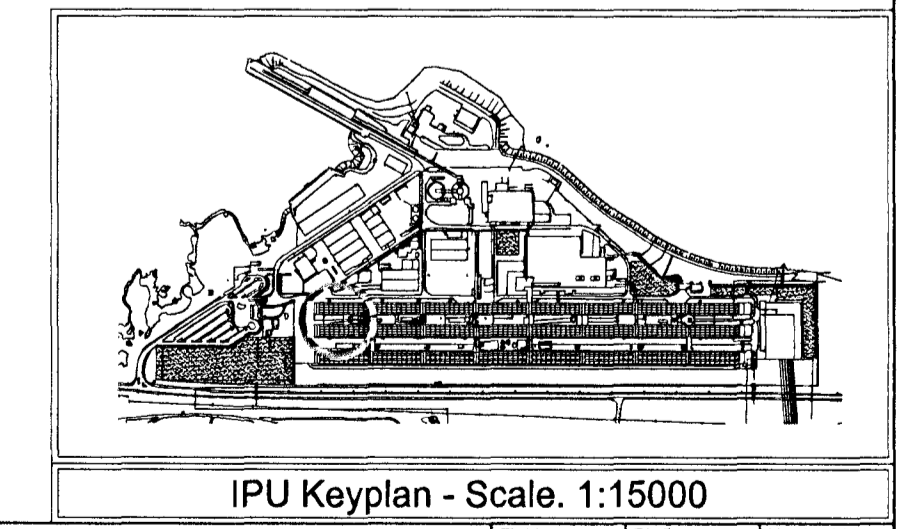
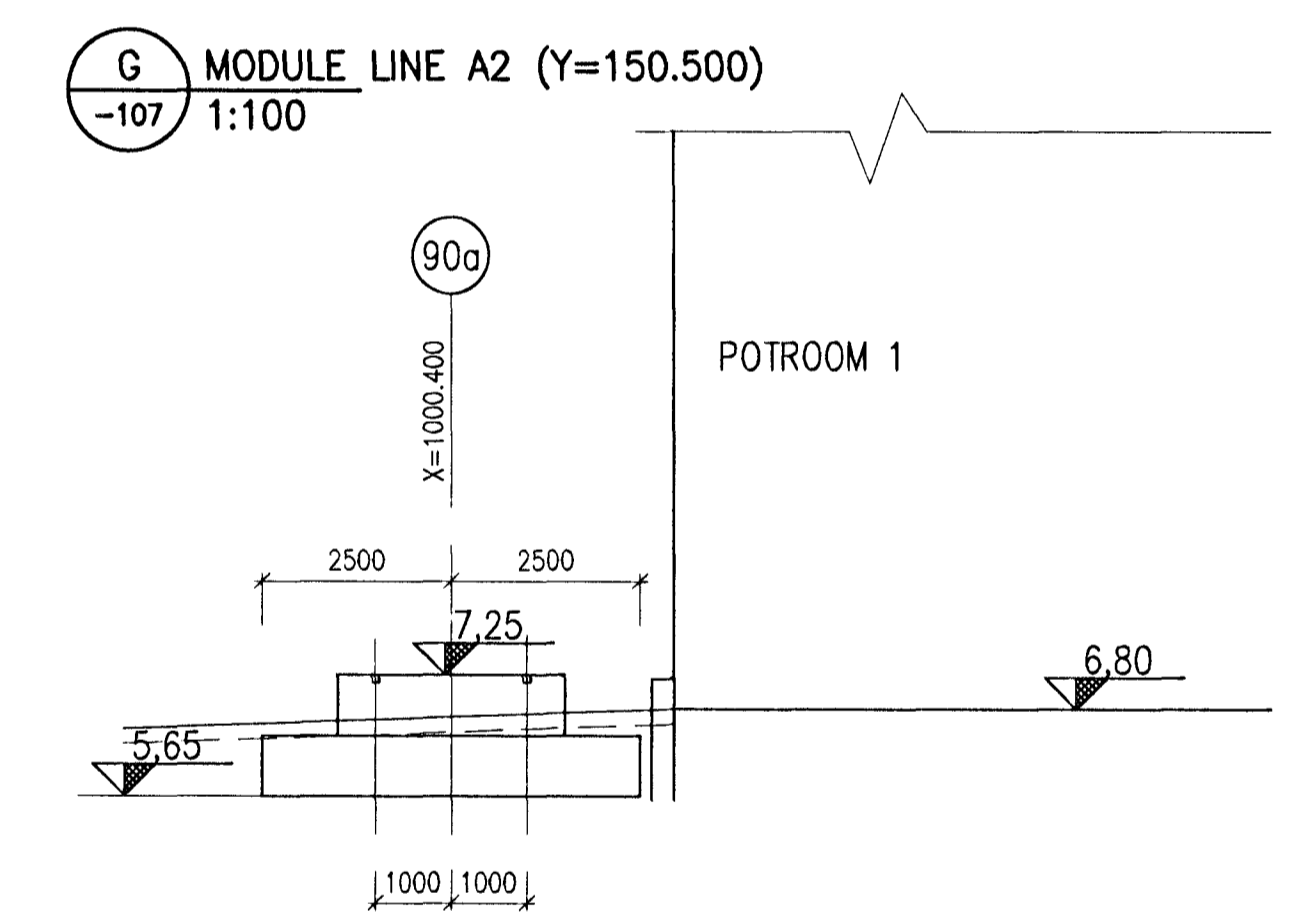
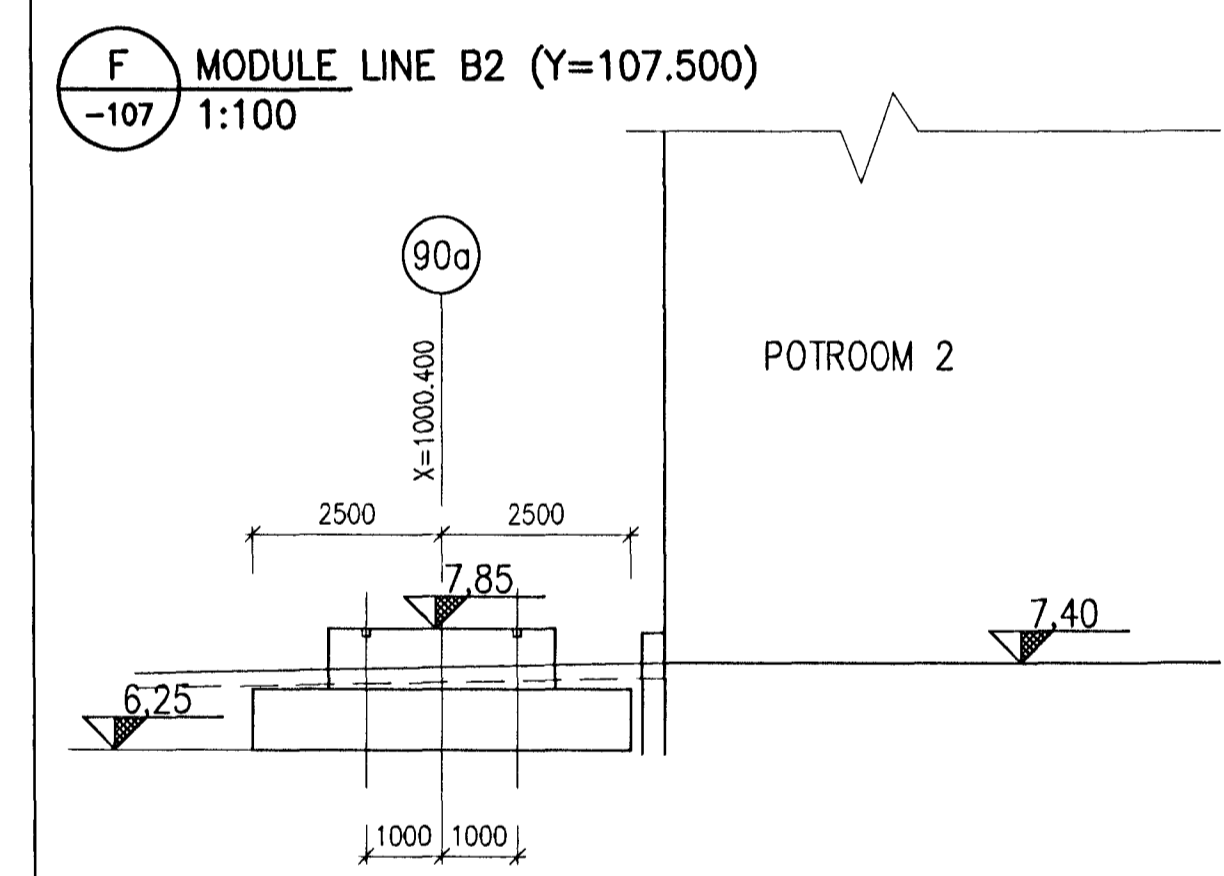
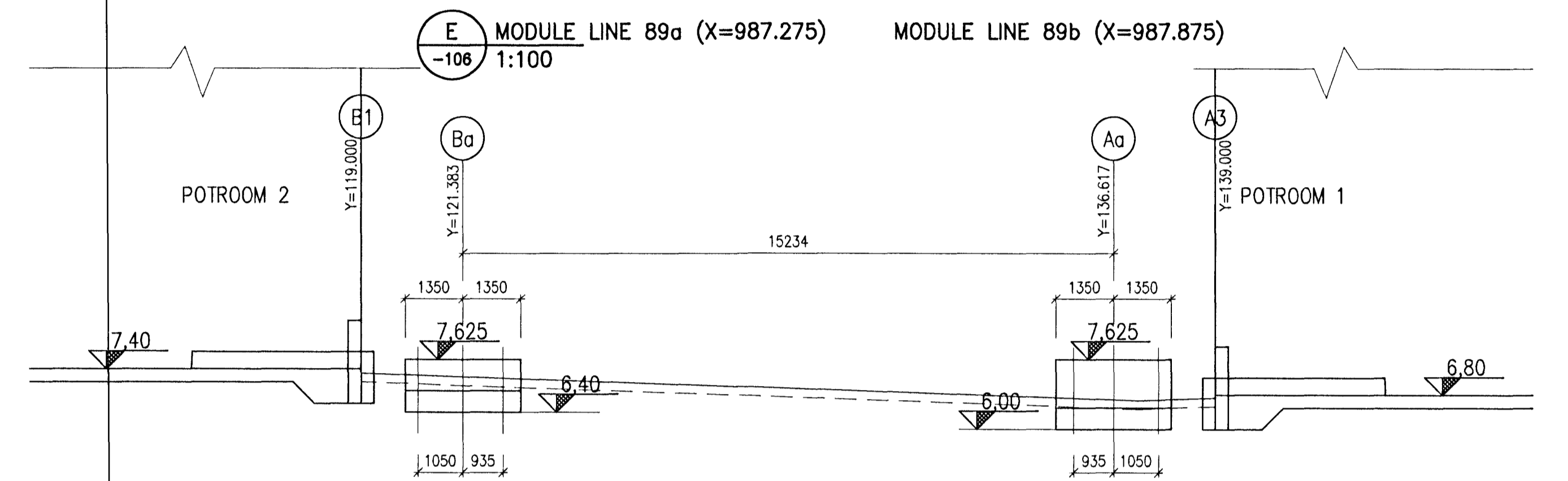
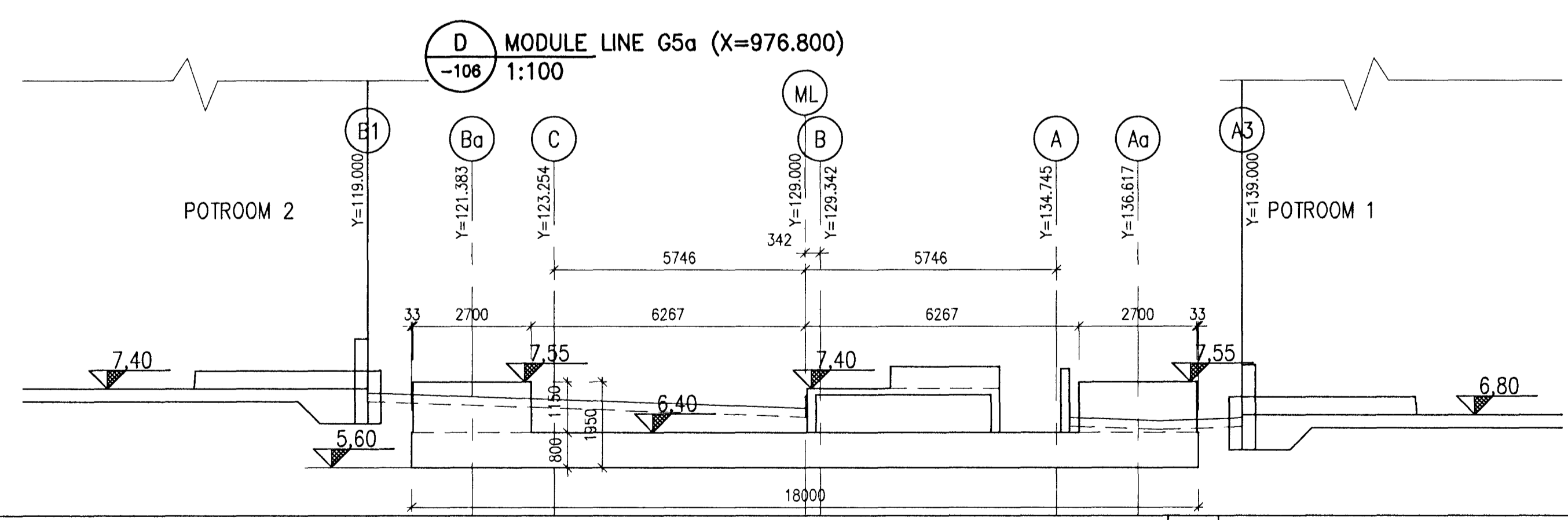
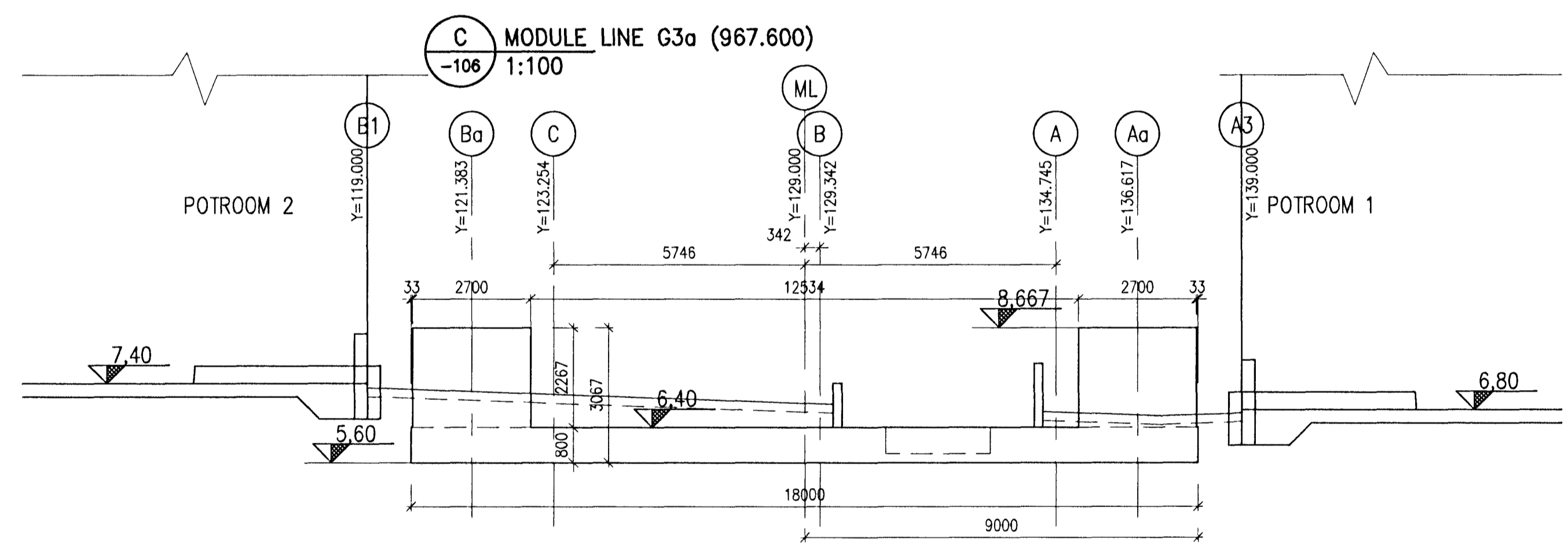
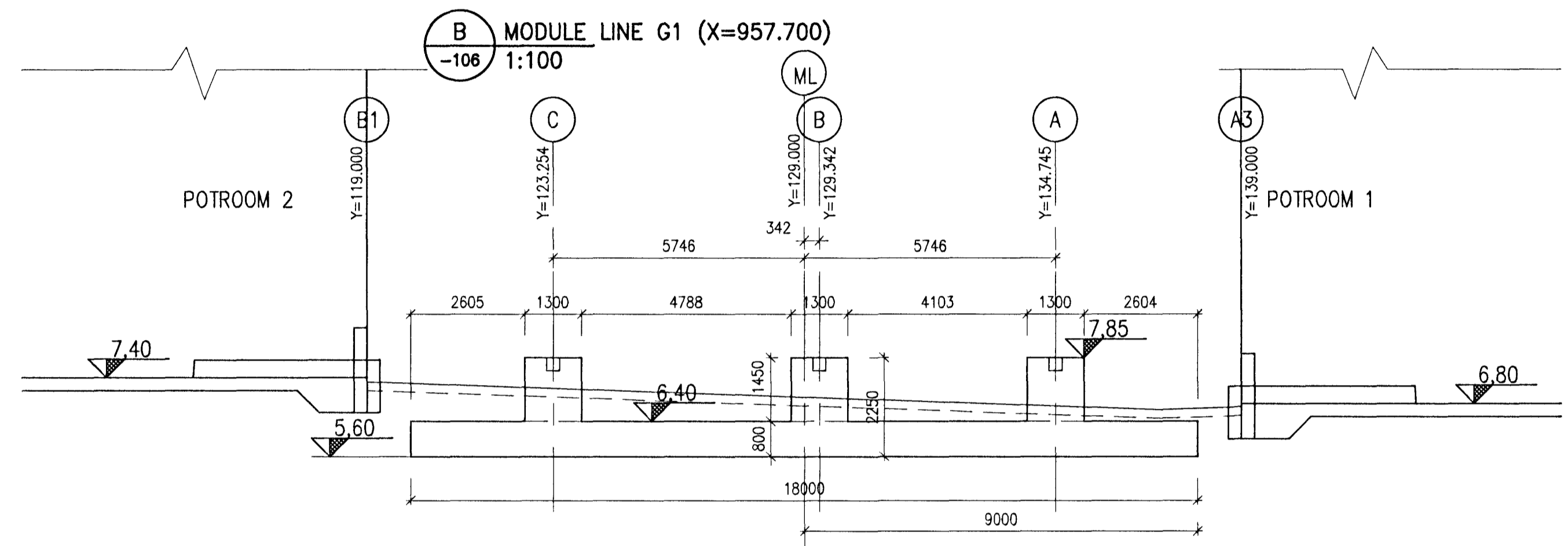
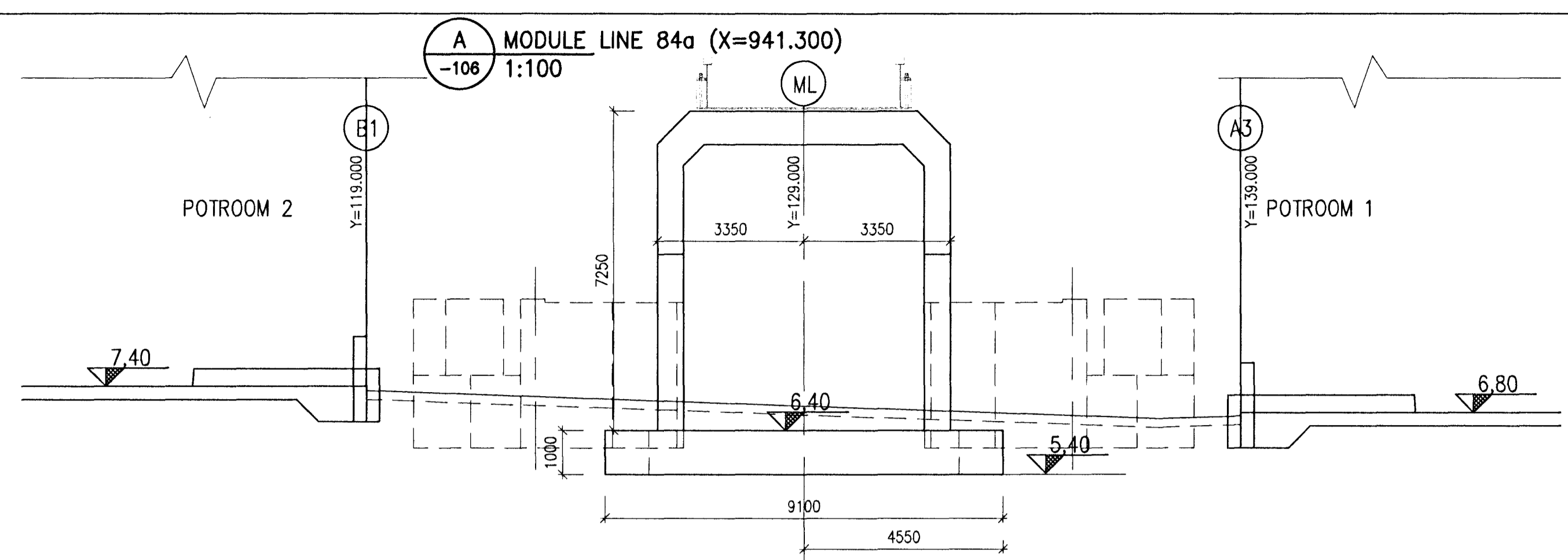


Níels Indriðason
Kt. 181144-3949



Skýringar: Embedded conduits not shown on this drawing, refer to electrical drawings
Legend: IPU-431-FJ-017-101 and IPU-431-FB-017-101 to -103.

4	Issued for construction	Liping	2011.11.02	DEL	NI	ISAL	ISAL
Fig. nr	Rev. no.	Description	Dagsetning / Date	How/fin Des/Drw	Yfir Ckd	Notk heim Suppl Rá	Notk heim ISAL Rá

This drawing is the property of Rio Tinto Alcan Iceland Ltd. and handed out for personal use only. It may neither be copied nor made available to others without permission of Rio Tinto Alcan Iceland Ltd. The receiver is liable for any misuse.
Stærð: A1 Mkv.: 1:100
Formát: A1 Scale: 1:100
Dimensions without tolerances according to ISO 2768-1 medium.



Dagsetning / Date	2011.09.05
Hannað / Designed	DEL
Tekni / Drawn	DEL
Verktaki / Supplier	HRV
Tekni.nr.verktaka / Supplier drw.no	IPU-431-CA-017-108
Samþykkt / Approved	NI
Yfir / Chkd	NI
Hlutur af / Part of:	

IPU-430 GAS TREATMENT
GTC2A
FOUNDATION, SECTION
FORMWORK



Flakkur nr.:	Blað nr.:	Nesta blinn.:
Kostn.nr.-Ggna. / Bglnr.-Eq.no		
AKS		
Tekni.nr. ISAL / Drw.no. of ISAL	Breyt./Rev.	
ISAL	C	