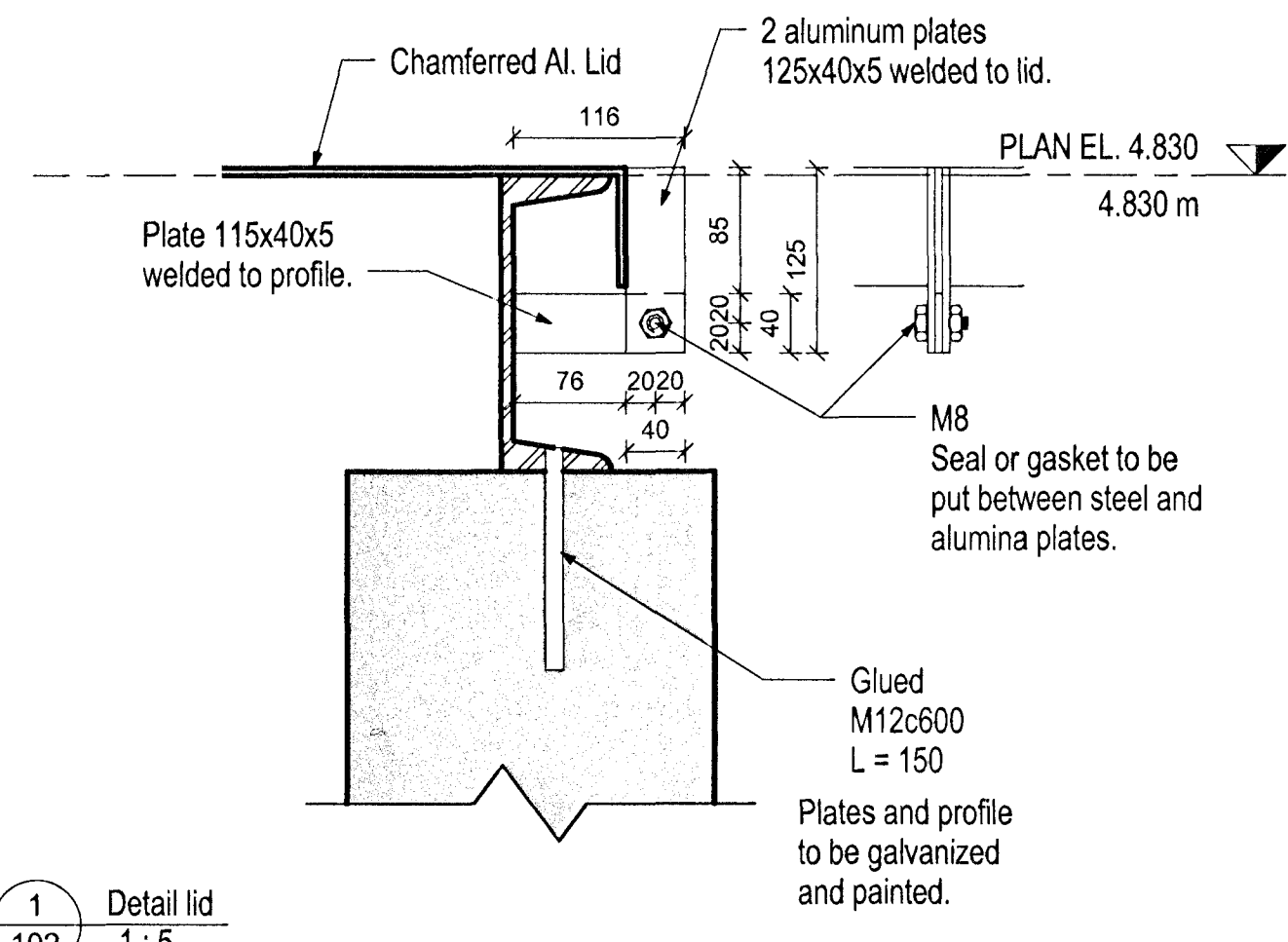


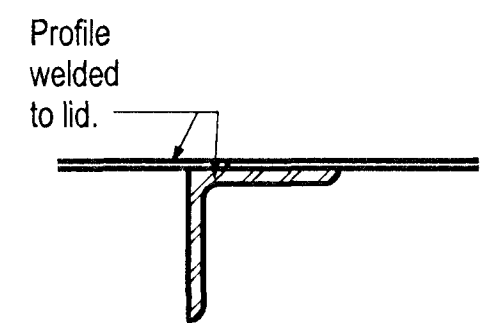
Format A1 (841x594 mm) is 20 mm outside of this frame

Samþykkt þann  
05. júlí 2012  
Byggingafróðleikni í Hálfarfiði  
F.h. Hrólfur S. Gunnlaugsson

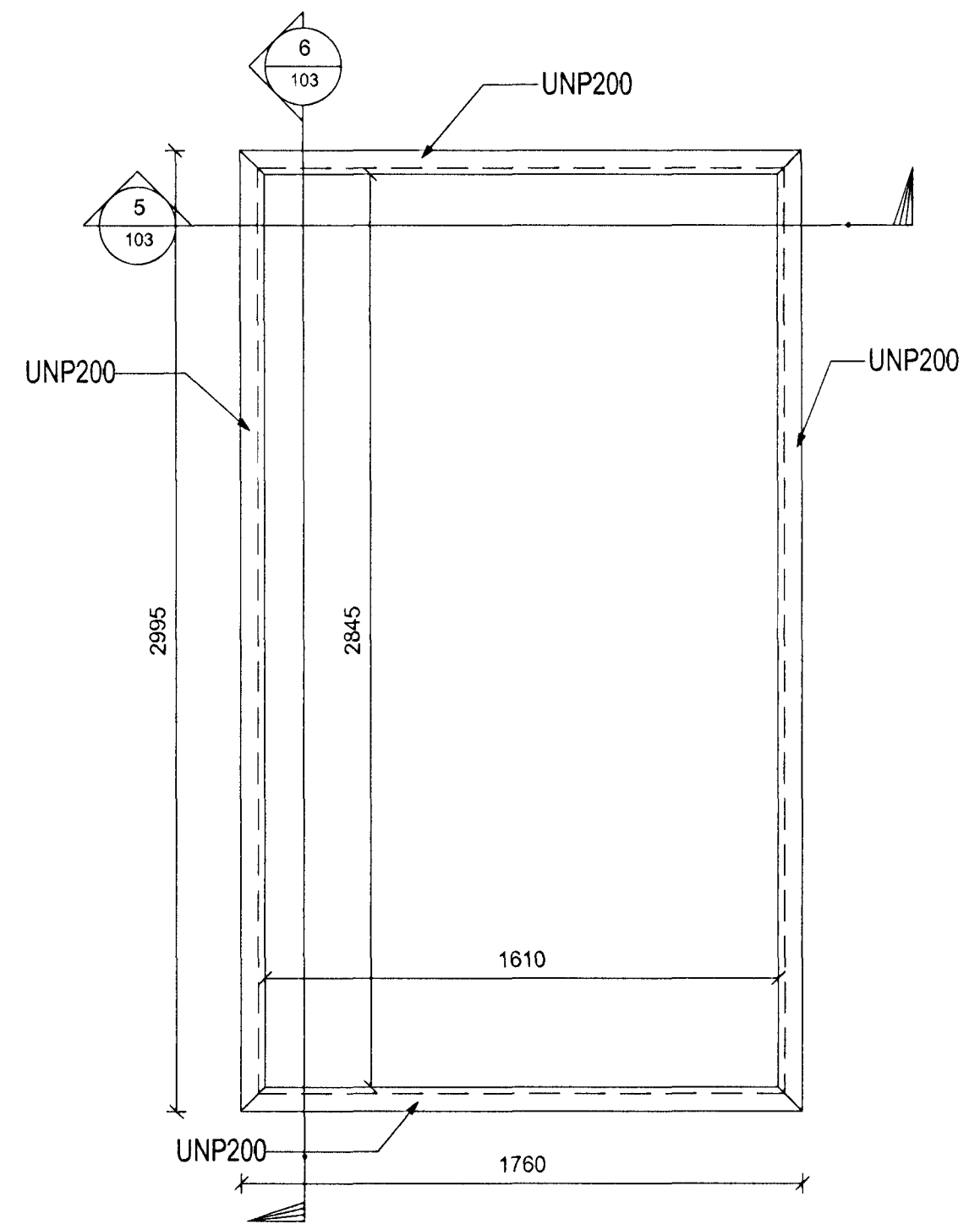
Níli Indriðason  
Kt. 181144-3949  
NI



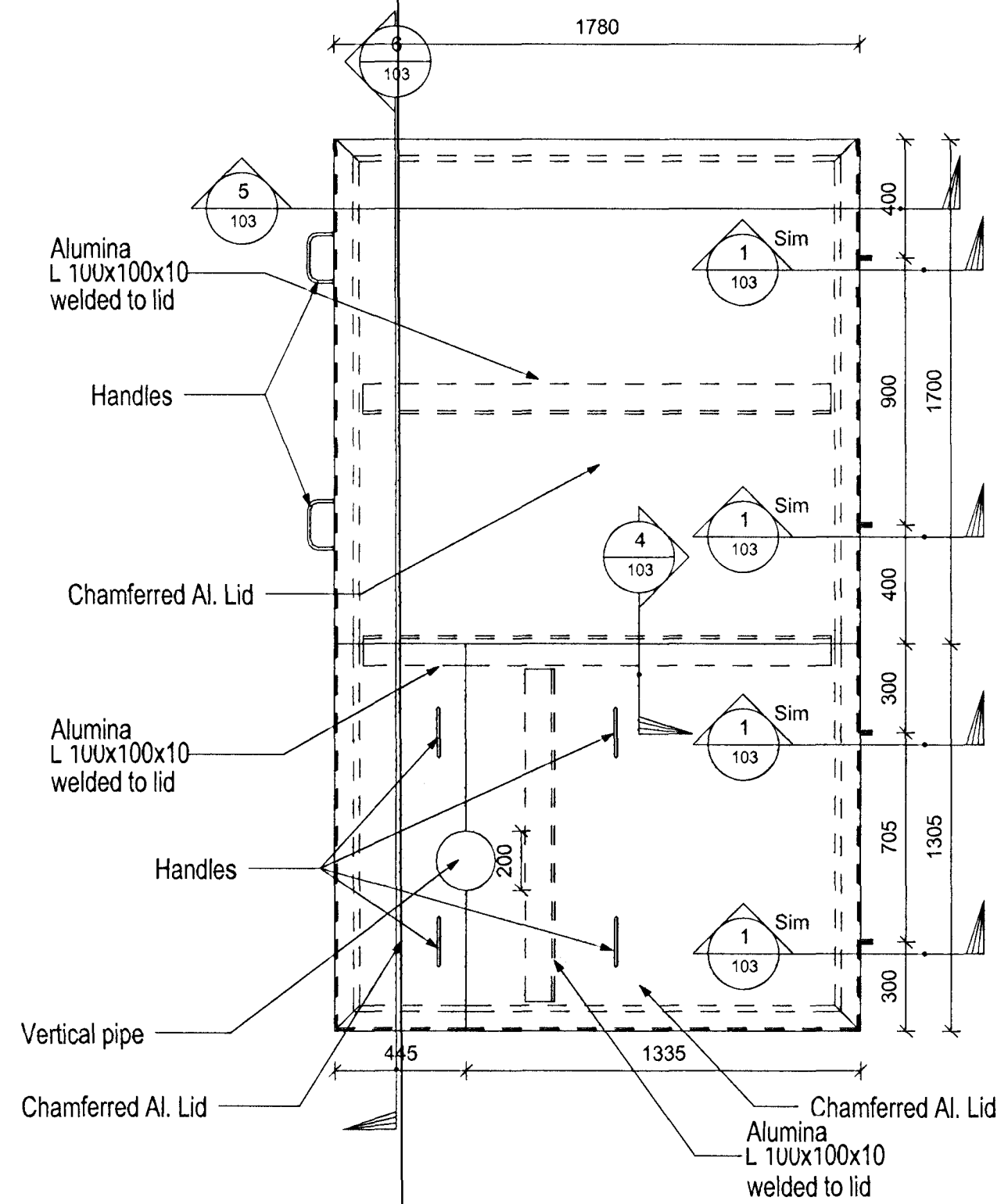
1 Detail lid 1:5



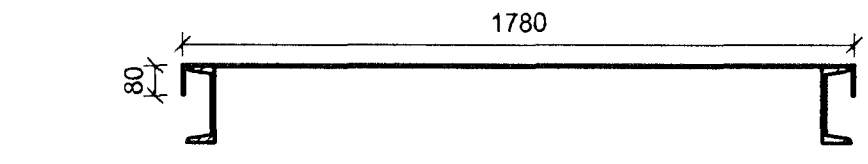
4 Section 15 1:5



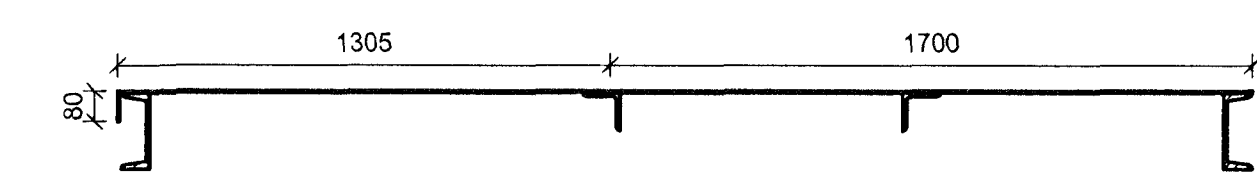
Frame for alumina lid 1:20



Chamfered Al. Lid 1:20



5 Section 16 1:20



6 Section 17 1:20

C:\DPI\04 IPU\300 Raw Material and Finished Products\320 Handling and Storage - Port\321 Alumina\Drawings\Revit\DP0.rvt

Skýringar:  
Explanations:

Utg. nr. Rev. no.	Lýsing Description	Dagsetning Date	Hann/Tin Des/Drw	Yfir Ckd	Notk heim Suppl Rel	Notk heim ISAL Rel
3	Issued for construction	2011-10-07	IAJ/LDB	NI	PE	

This drawing is the property of Rio Tinto Alcan Iceland Ltd and handed out for personal use only. It may neither be copied nor made available to others without permission of Rio Tinto Alcan Iceland Ltd. The receiver is liable for any misuse.

Scale: 1:20, 1:5  
Dimensions without tolerances according to ISO 2768-1 medium

**HRV**  
ENGINEERING

Dagsetning / Date	2011-09-19
Hannað / Designed	IAJ
Tekin / Drawn	IAJ
Verktaki / Supplier	HRV
Tekin nr. verktaka / Supplier drw. no.	IPU-321-CA-059-103
Samþykkt / Approved	NI
Yfir / Chkd	NI
Húð af / Part of:	

IPU - 321 ALUMINA		Flokkur nr.:	Blað nr.:	Næsta blað nr.:
DP0 EXTENSION		Kostn. nr. - Cono. / Bún. nr. - Eq. no		
SECTIONS AND DETAIL		AKS		
STEEL/AL. WORKS		ISAL		
<b>Rio Tinto Alcan</b>		Tekin nr. ISAL	Drw. no. of ISAL	Brýtt/Rev
ISAL Yfirland og skráð. dags / ISAL Checked. date		ISAL Samþykkt. dags / ISAL Approval. date		