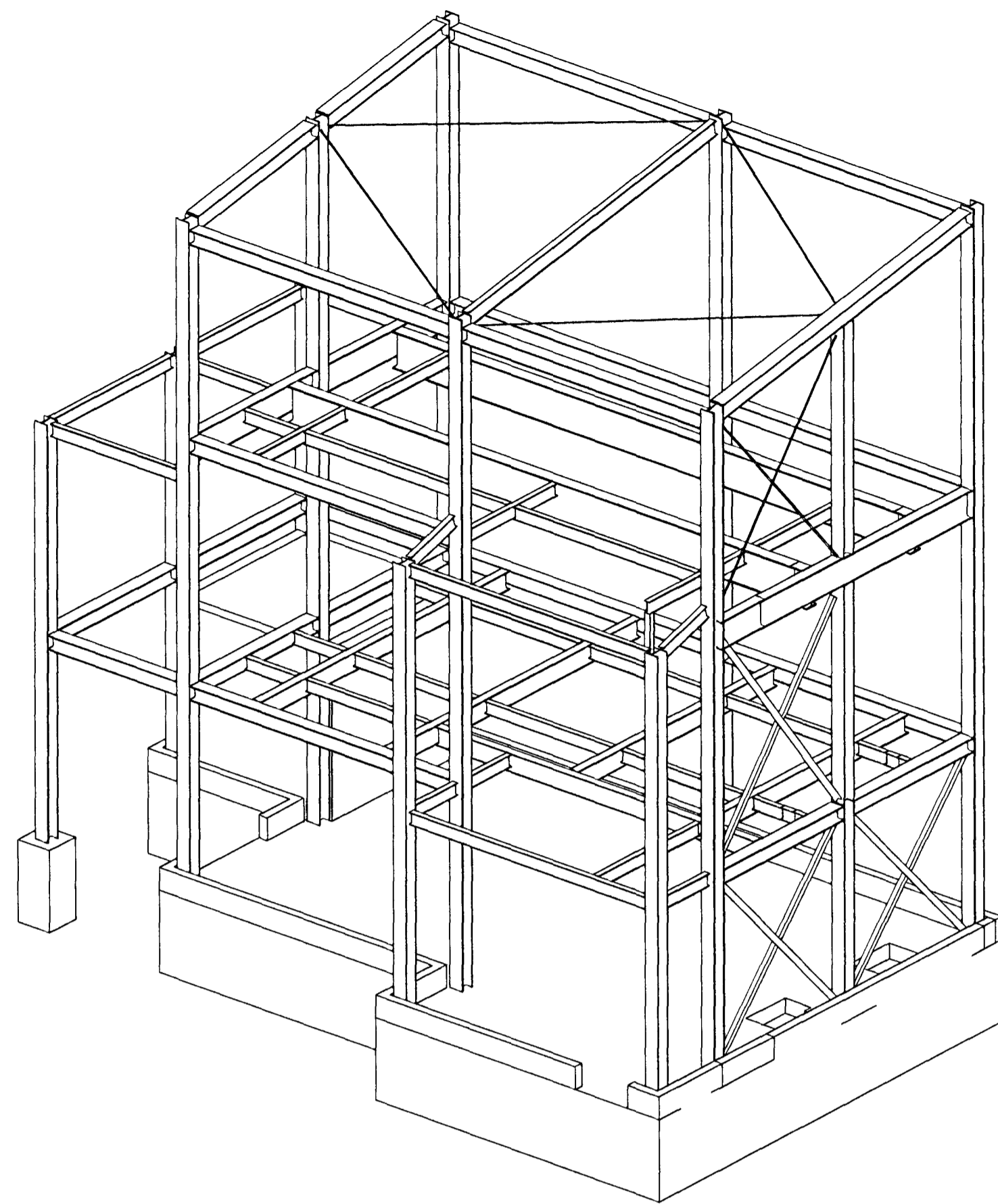


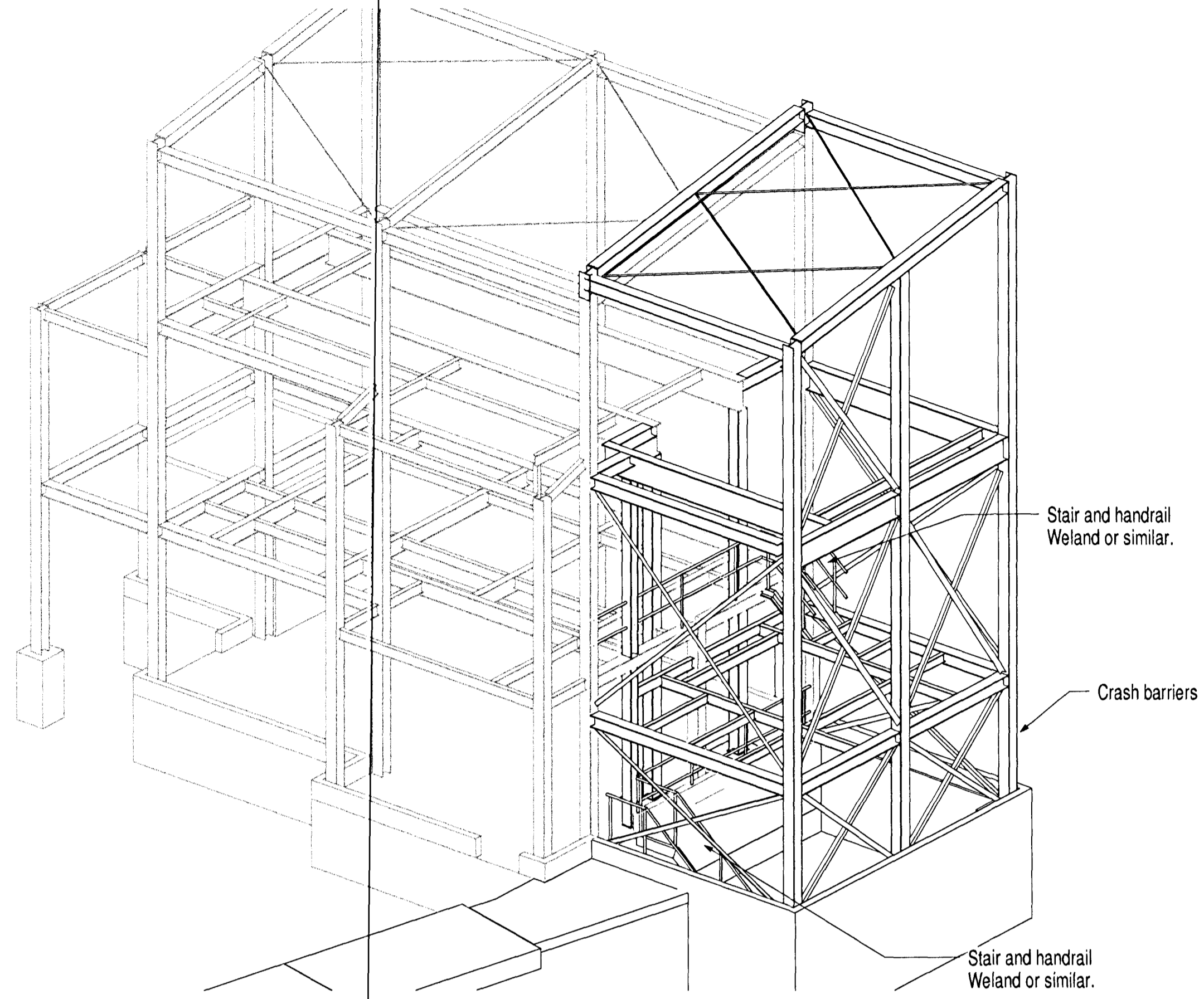
Format A1 (841x594 mm) is 20 mm outside of this frame

Samþykkt bann
05. júlí 2012
Byggingafulltrúinn / Hafnarfróð
Eiðhofur 5, Gunnabúgsson

Níel Indriðason
Kt. 181144-3949
NI



EXISTING LAYOUT

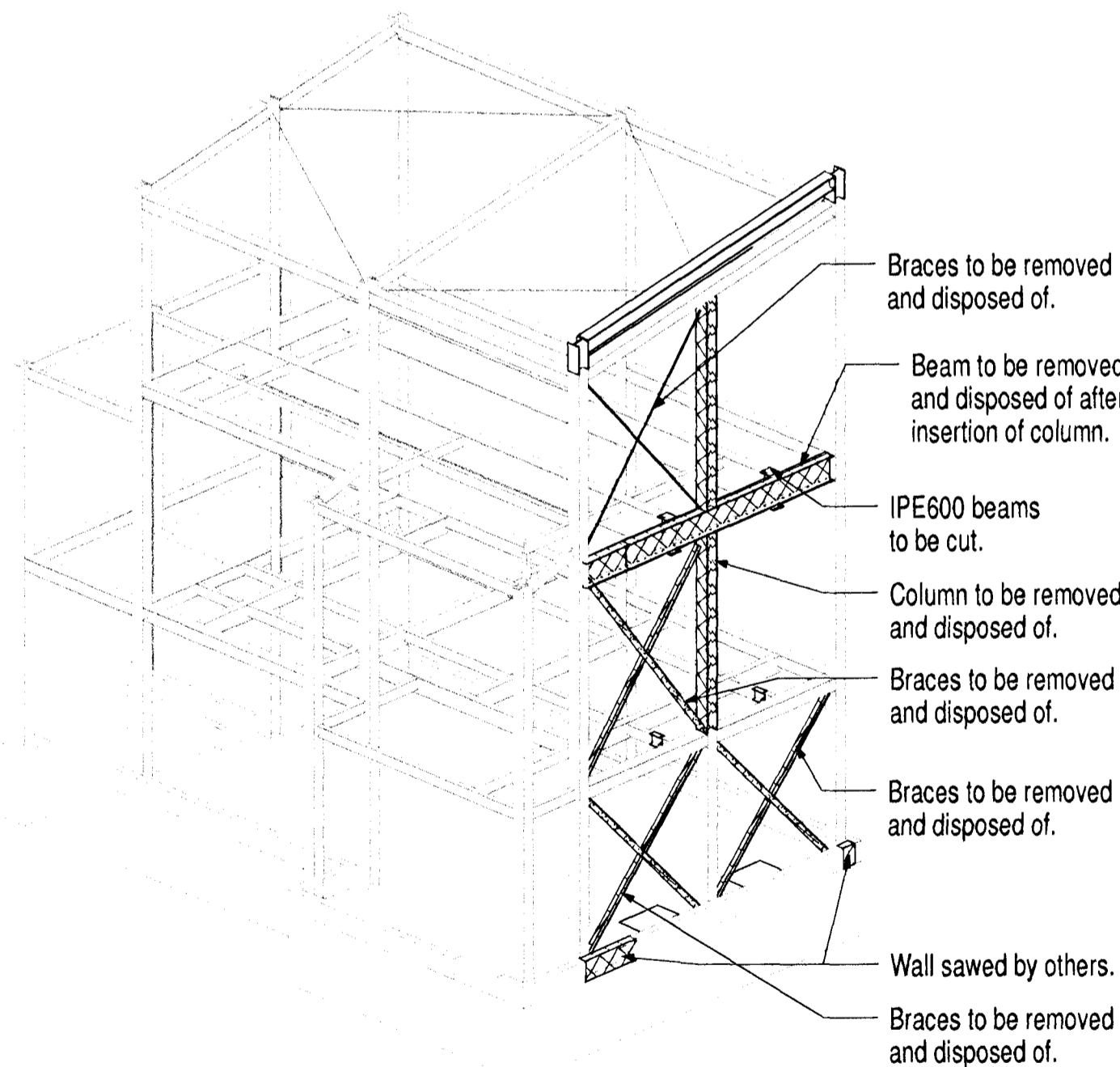


FINAL LAYOUT

Stair and handrail
Weland or similar.

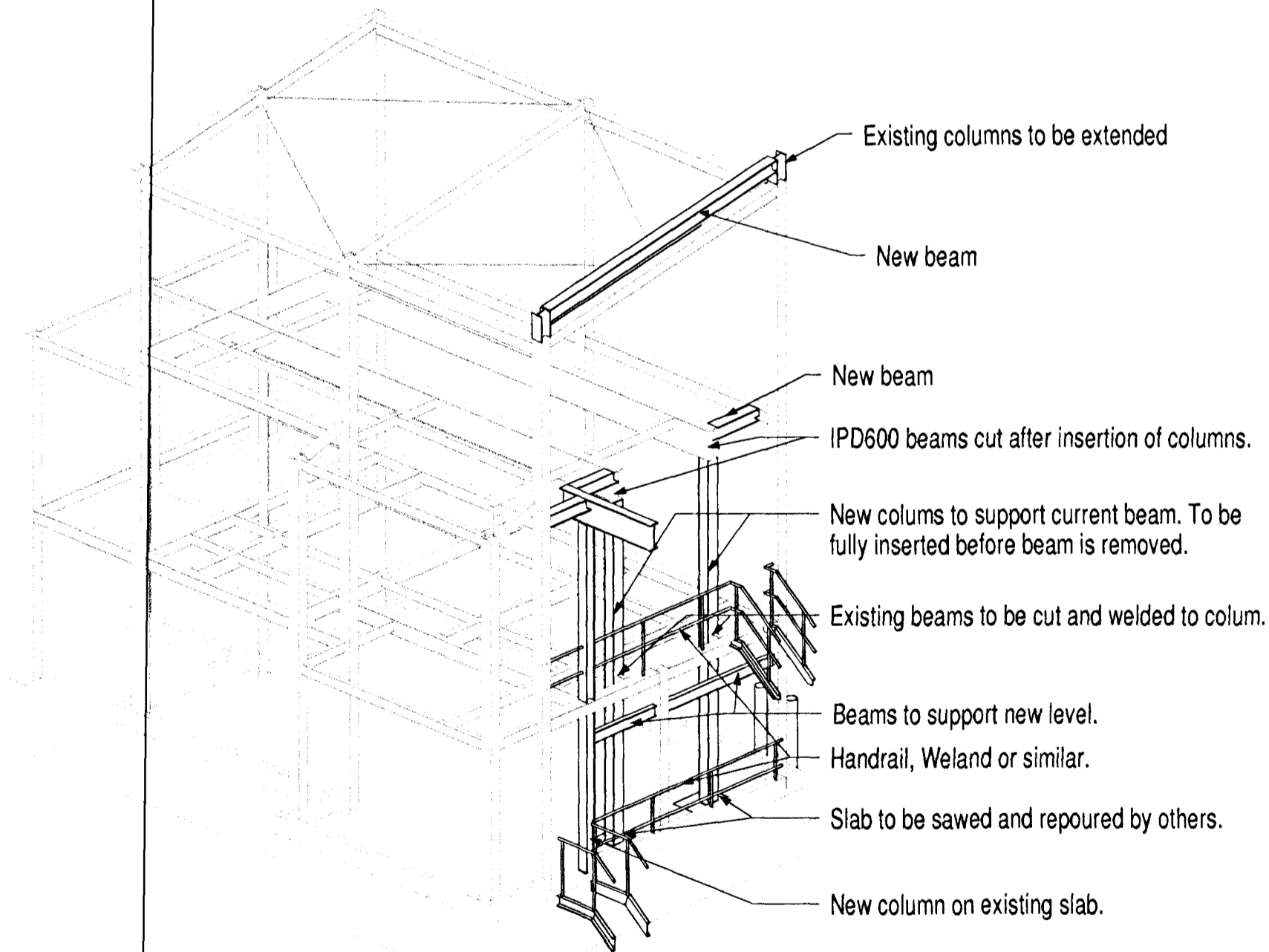
Crash barriers

Stair and handrail
Weland or similar.



EXISTING BUILDING - DEMOLITION PLAN

Braces to be removed and disposed of.
Beam to be removed and disposed of after insertion of column.
IPE600 beams to be cut.
Column to be removed and disposed of.
Braces to be removed and disposed of.
Braces to be removed and disposed of.
Wall sawed by others.
Braces to be removed and disposed of.



MEMBERS ADDED TO EXISTING STRUCTURE

Existing columns to be extended

New beam

New beam

IPD600 beams cut after insertion of columns.

New columns to support current beam. To be fully inserted before beam is removed.

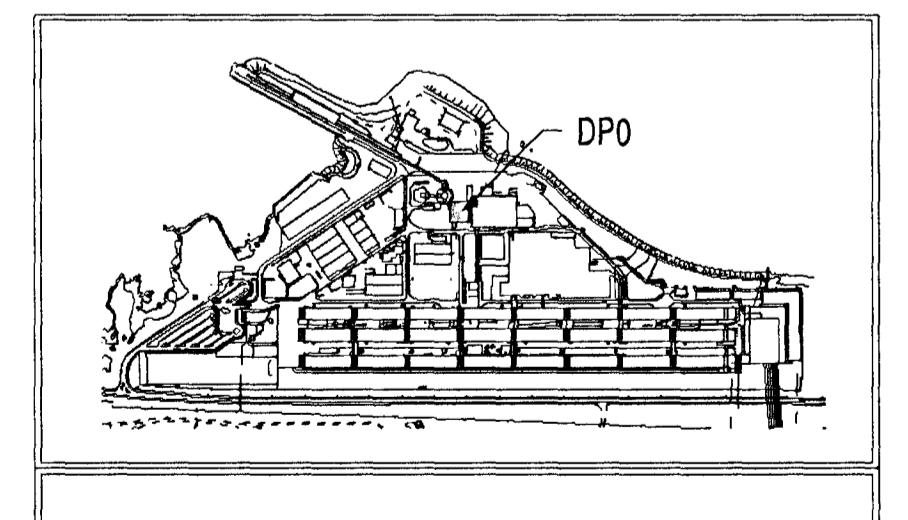
Existing beams to be cut and welded to column.

Beams to support new level.

Handrail, Weland or similar.

Slab to be sawed and repoured by others.

New column on existing slab.



C:\IDP\04 IPU\300 Raw Material and Finished Products\320 Handling and Storage - Port\321 Alumina\Drawings\Revit\DP0.rvt

Skýringar:
Explanations:

5	Issue for construction	2012-04-27	IAJ	NI	JF															
Utg. nr. Rev. no.	Lýsing Description	Dagsetning Date	Hafn. Tönn Des. Dr.	Yfir Out.	Notk. höfn Suppl. Ref.	Notk. höfn ISAL Ref.														

This drawing is the property of Rio Tinto Alcan Iceland Ltd. and handed out for personal use only. It may neither be copied nor made available to others without permission of Rio Tinto Alcan Iceland Ltd. The receiver is liable for any misuse.



Dagsetning / Date	2011-10-21	Tekin / Drawn	DM
Myndab / Designed	IAJ/DM		
Verktogi / Supplier	HRV		
Talnr. nr. verktaka / Supplier drw. no.	IPU-321-ZA-208-110		
Samþykkt / Approved	NI	Yfir / Chkd	NI
Hluti af / Part of:			

IPU-321 ALUMINA DPO EXTENSION 3D VIEWS		Flokkur nr.:	Blað nr.:	Næsta blað nr.:
STRUCTURAL STEEL		Kostn. nr. - Gæro. / Bútn. nr. - Eign		
RioTinto Alcan		AKS		
ISAL Yfirfarið og skrifað, dags / ISAL Checked, date		ISAL Samþykkt, dags / ISAL Approval, date		