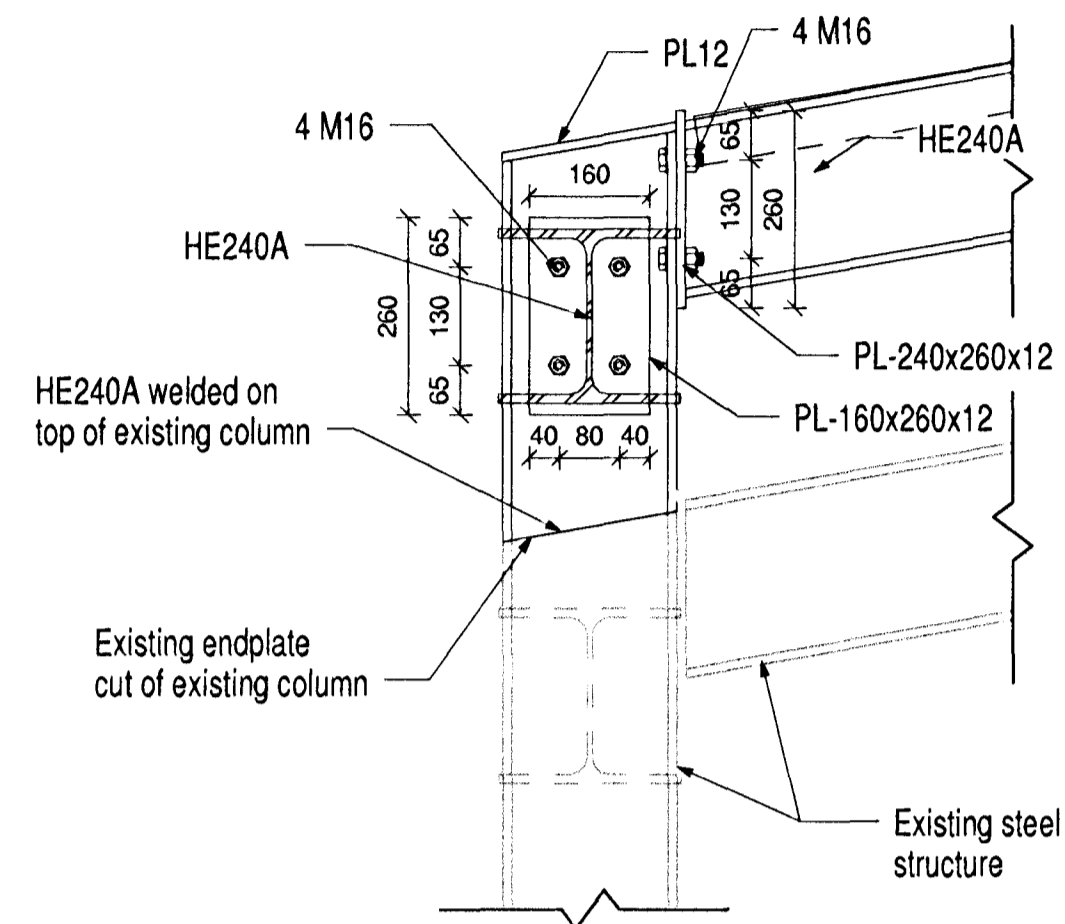
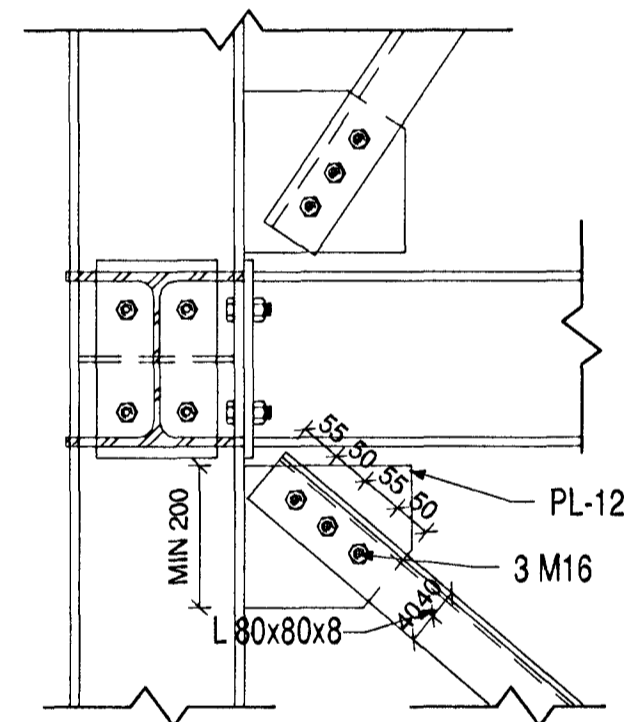


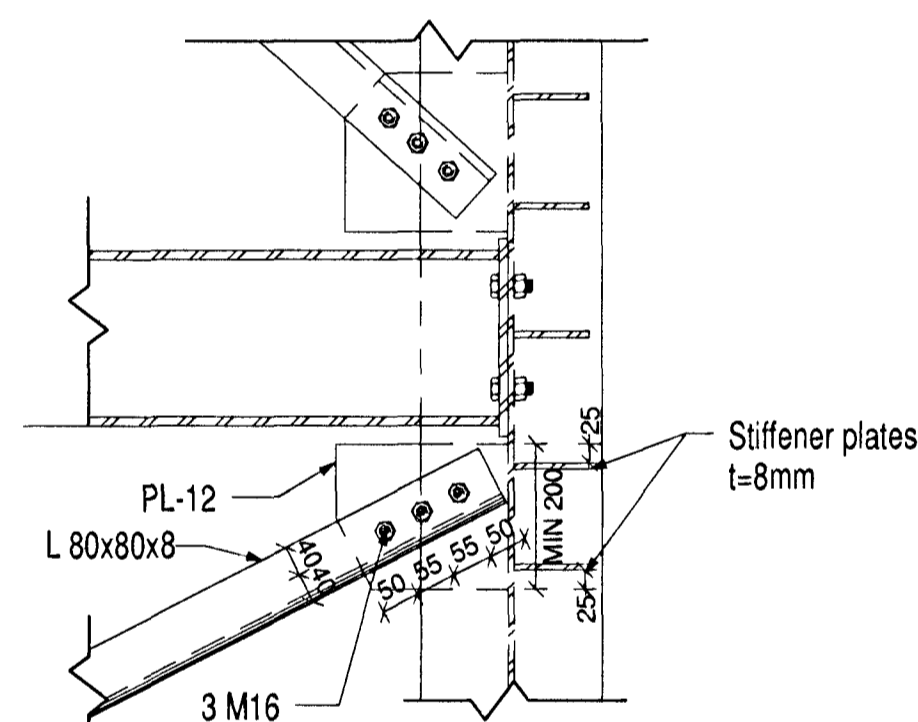
Níel Indriðason
Kt. 181144-3949
NI



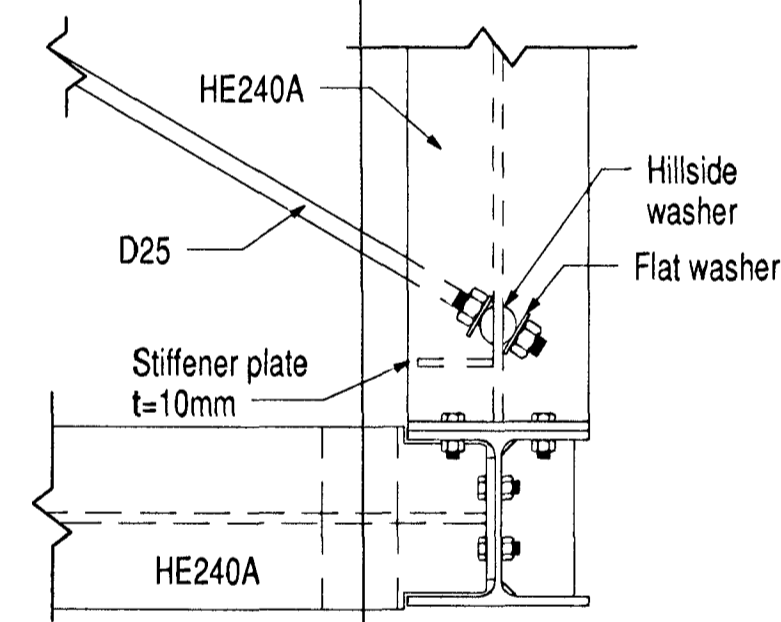
SECTION 17
1:10



A BRACING CONNECTED TO FLANGE
1:10

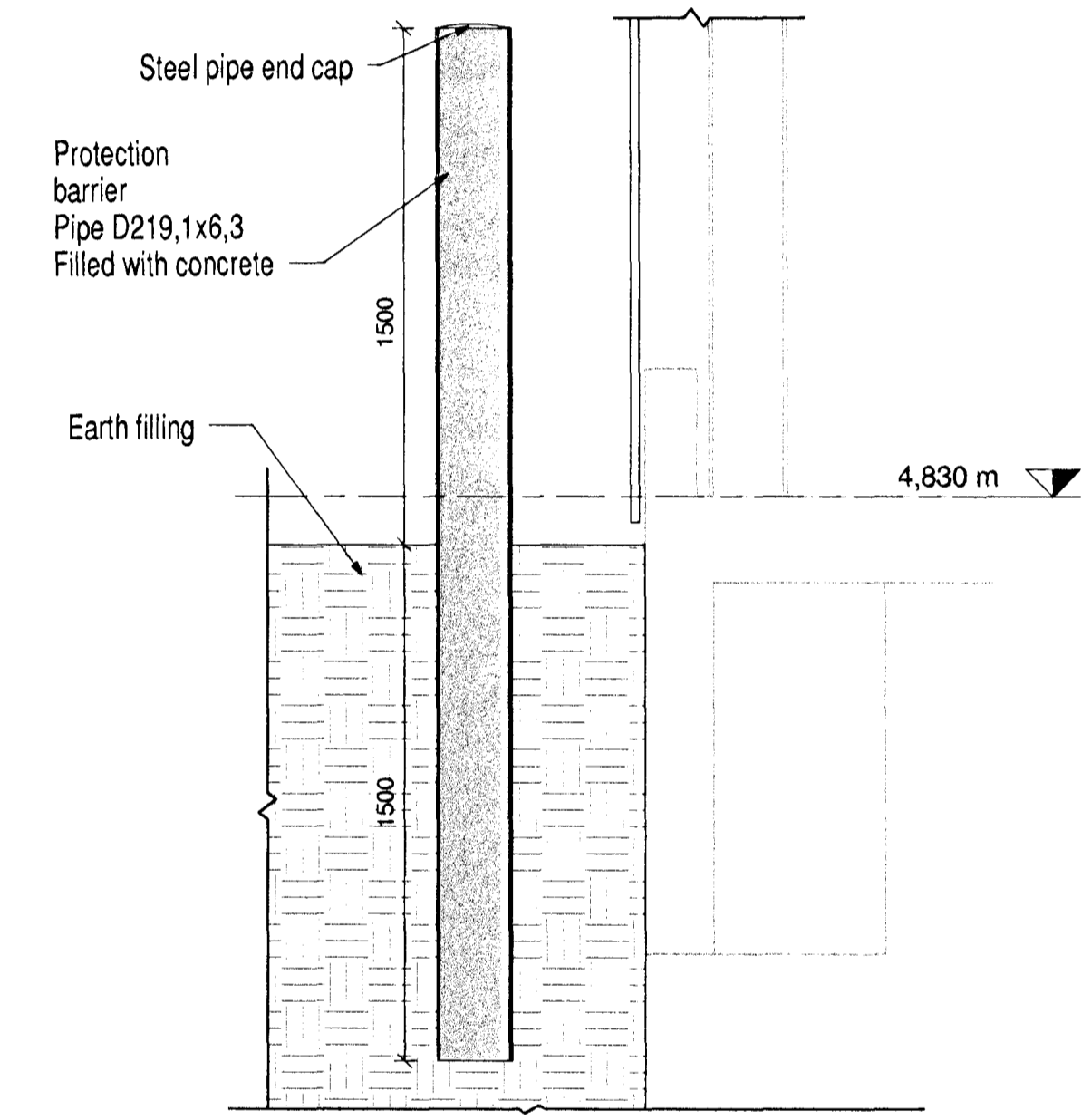


B BRACING CONNECTED TO WEB
1:10

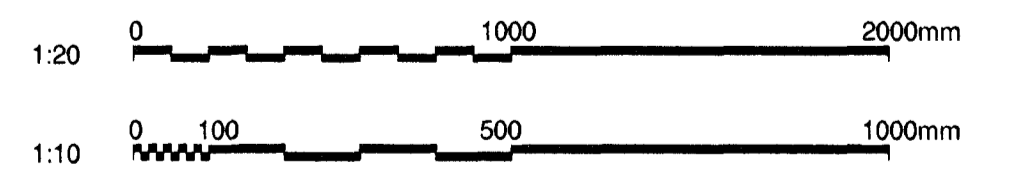


C ROOF BRACING
1:10

* Note: Dimensions and location for crash barriers must be verified on site.



D DETAIL 20
1:20



Skýringar:
Explanations:

Utg. nr. Rev. no.	Lýsing Description	Dagsetning Date	Byggn. Des/Drw	Yfir Ckd	Netk heim Suppl Rel	Netk heim ISAL Rel
5	Issue for construction	2012-04-27	IAJ	NI	JF	

This drawing is the property of Rio Tinto Alcan Iceland Ltd. and handed out for personal use only. It may neither be copied nor made available to others without permission of Rio Tinto Alcan Iceland Ltd. The receiver is liable for any misuse.

Scale: 1:10,20
Dimensions without tolerances according to ISO 2768-1 medium.

HRV HATCH
ISAL PRODUCTION UPGRADE

Dagsetning / Date: 2011-10-21
Hannað / Designed: IAJ/DM
Tekin / Drawn: IAJ
Virkjafi / Supplier: HRV
Tökn.nr. virkjakta / Supplier drw no.: IPU-321-ZA-208-117
Sæðhykkji / Approved: NI
Húli af / Part of:

IPU - 321 ALUMINA DP0 EXTENSIONS SECTIONS AND DETAILS STRUCTURAL STEEL

Flokkur nr.: Blað nr.: Næsta blað nr.:
Kostn. nr. - Cono. / Blun. nr. - Eq. no. AXS

Rio Tinto Alcan

ISAL Yfirbú og skráð. dags / ISAL Checked, date
ISAL Samþykkt, dags / ISAL Approval, date