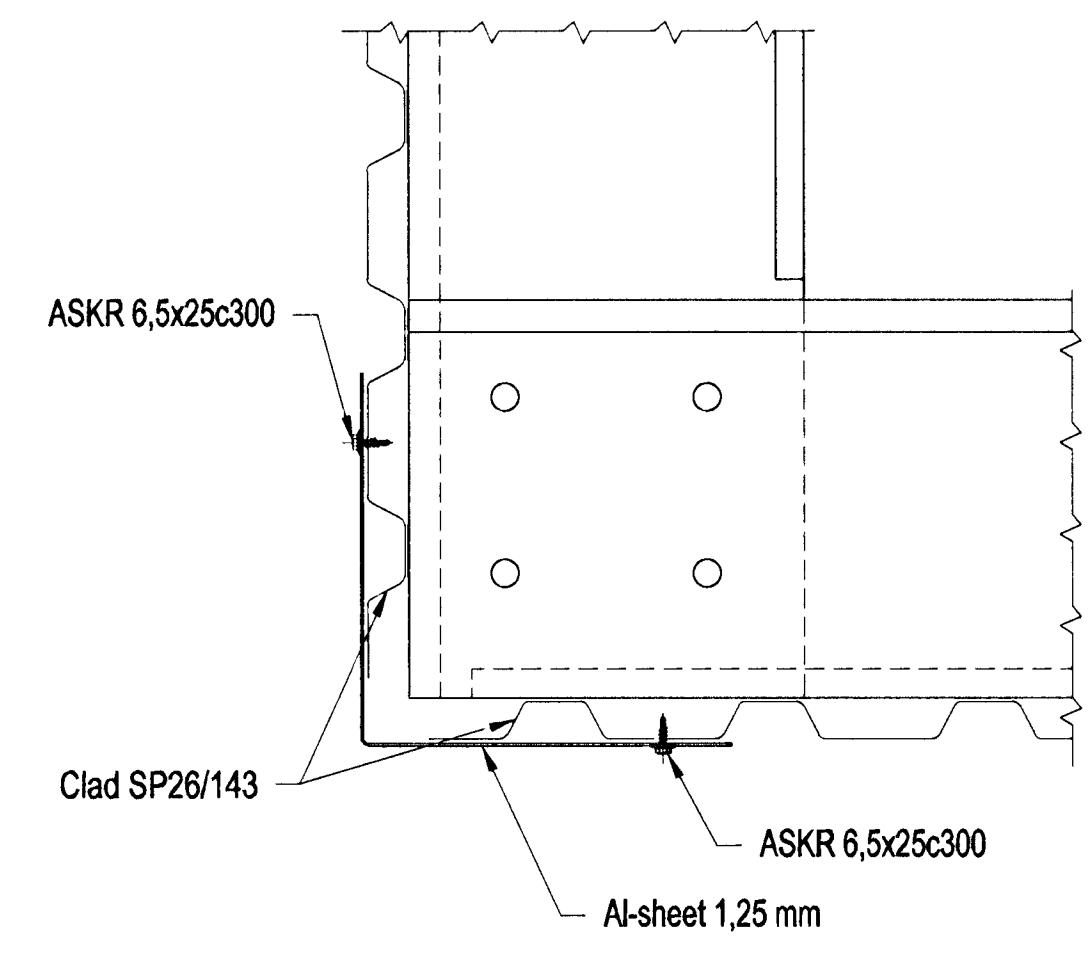
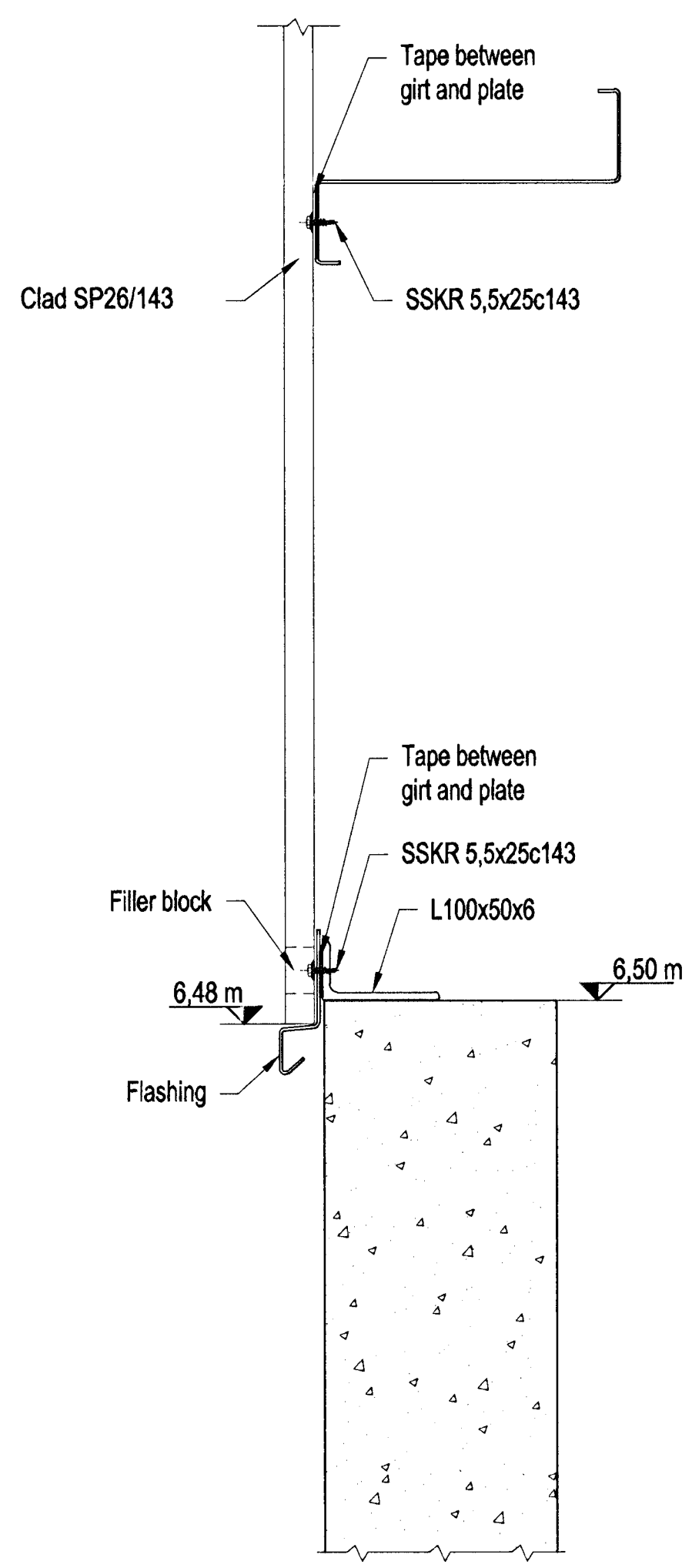


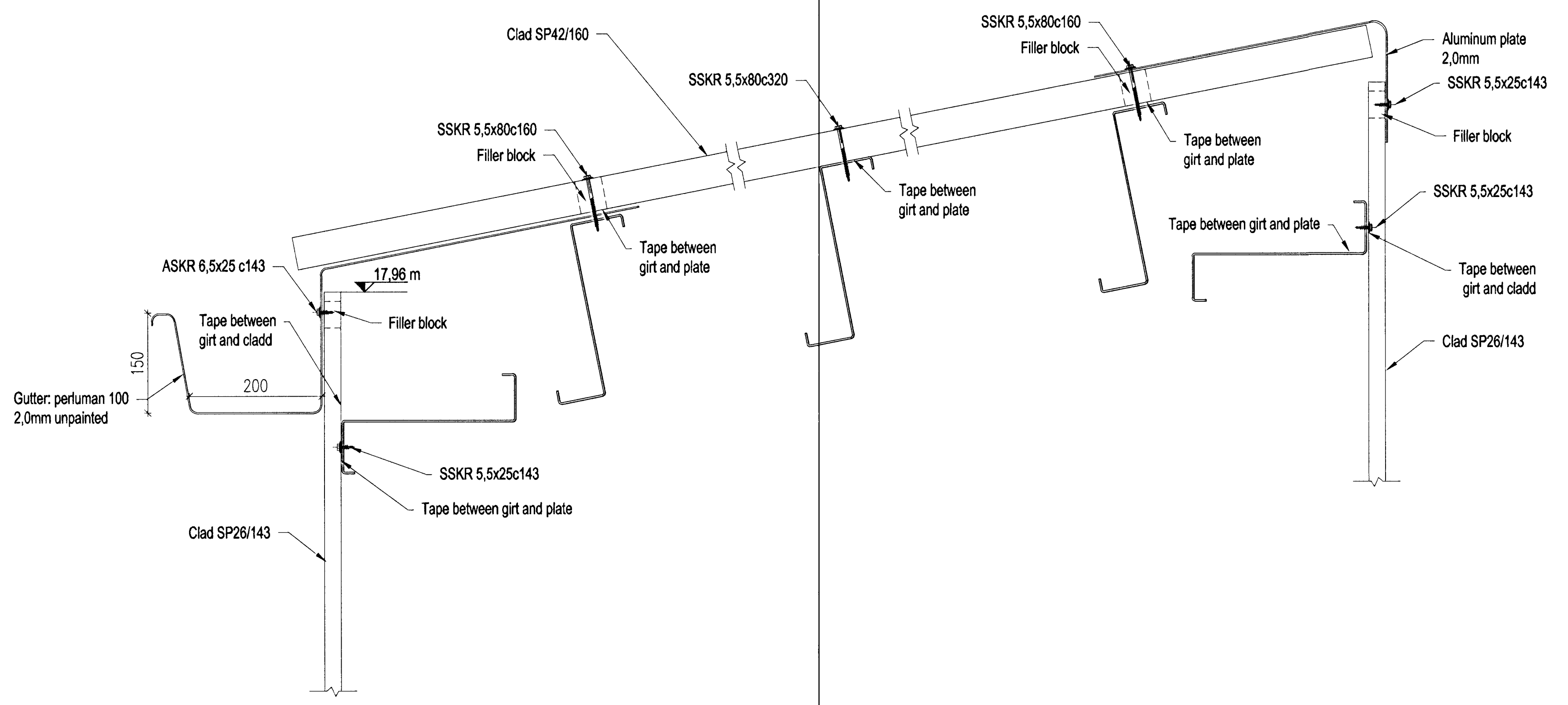
Nick Indriðason
Kt. 181144-3949
NI



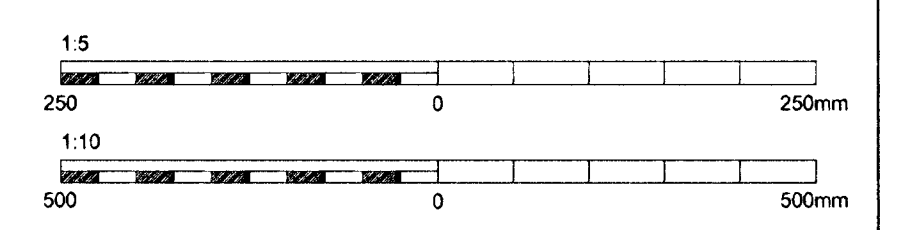
FINISHING CORNERS, 1:5



WALL CLADDING, 1:5



WALL CLADDING, 1:5



Skýringar: Legend:	This drawing is the property of Rio Tinto Alcan Iceland Ltd. and handed out for personal use only. It may neither be copied nor made available to others without permission of Rio Tinto Alcan Iceland Ltd. The receiver is liable for any misuse.						Disposition / Date 2011-10-21		IPU - 321 ALUMINIA DPO EXTENSION CLADDING, DETAILS AND SECTIONS		Flakur nr.: Blad nr.: Masta bl. nr.:	
	Stærð: A1 Mjör: Scale: 1:5/10 Dimensions without tolerances according to ISO 2768-M medium.						Hamnað / Designed: HS Tekin / Drawn: AFV	Vertikall / Supplier: HRV		Tölu nr. vorkraka / Supplier drw. no.: IPU-321-ZA-208-121		Kostn. nr. / Costo. / Búna. nr. / Eq. no.: AKS
5	Issue for construction	2012-04-27	IAJ	NI	JF						Tölu nr. / ISAL Drw. no. of ISAL: IPU-321-ZA-208-121 ISAL: Alcan Iceland Ltd. IS-222 Hafnarfordur Iceland ISAL: Yfirráð og skrást. degn / ISAL Checked, date ISAL: Samþykkt, degn / ISAL Approval, date	Breyt. / Rev.: C
Útg. nr. / Rev. no.	Lýsing / Description	Útgáfudagur / Date	Hamnaður / Drawn	Yfir / Old	Notk. heiti / Suppl. Ref.	Notk. heiti / ISAL Ref.						