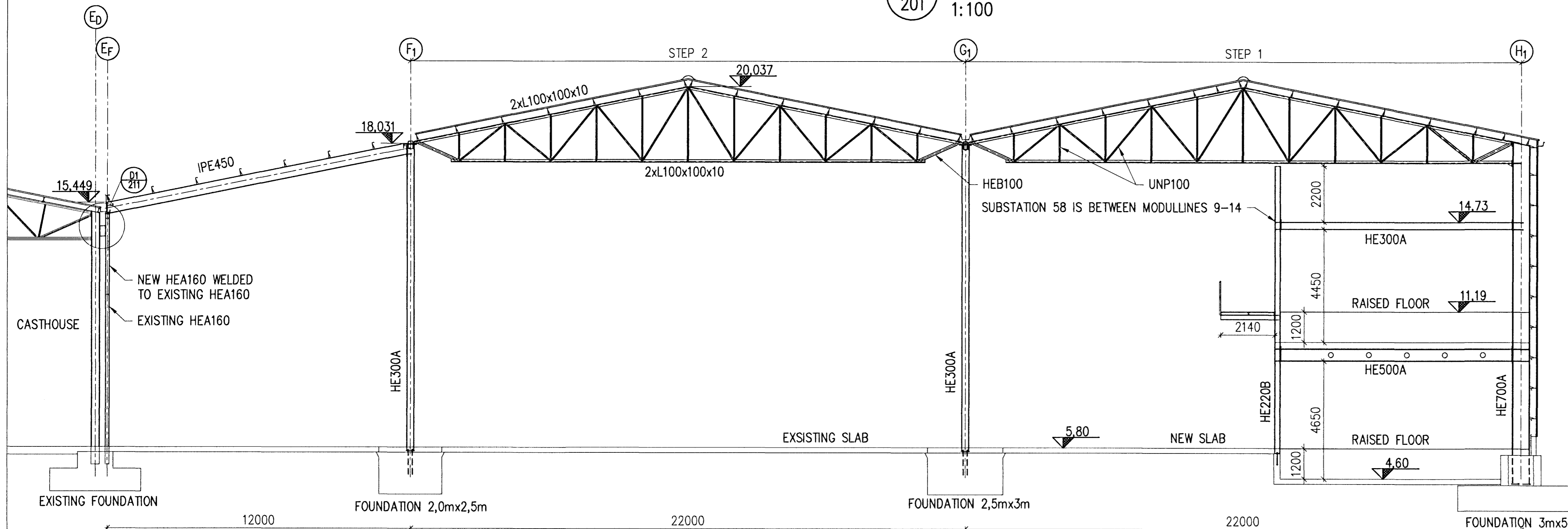
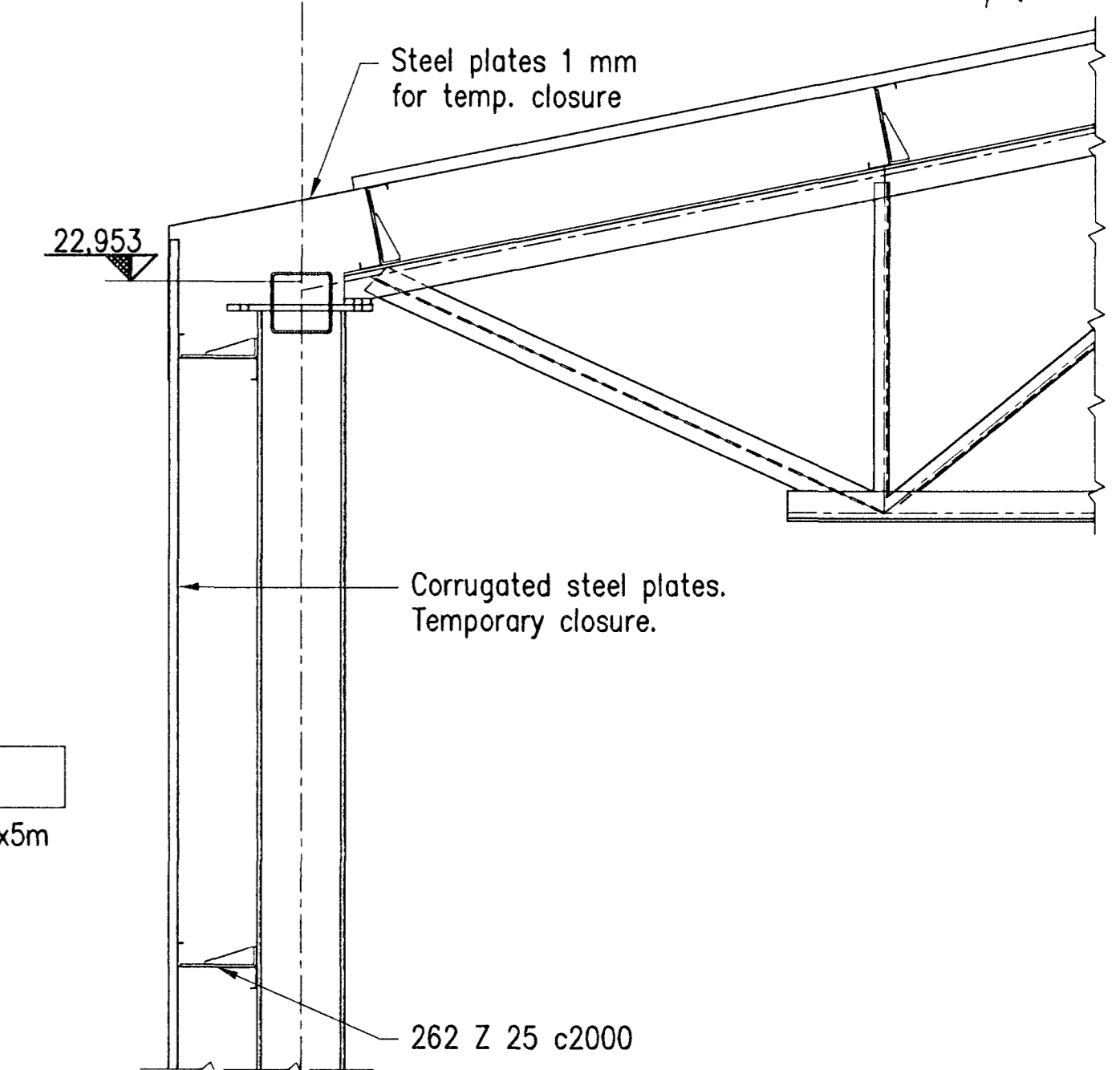


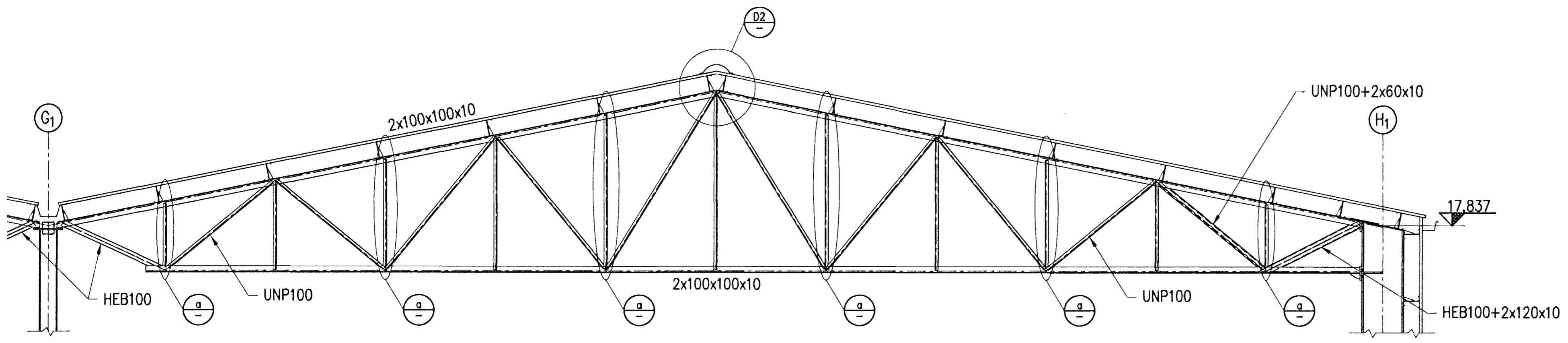
2
201 SECTION
1:100



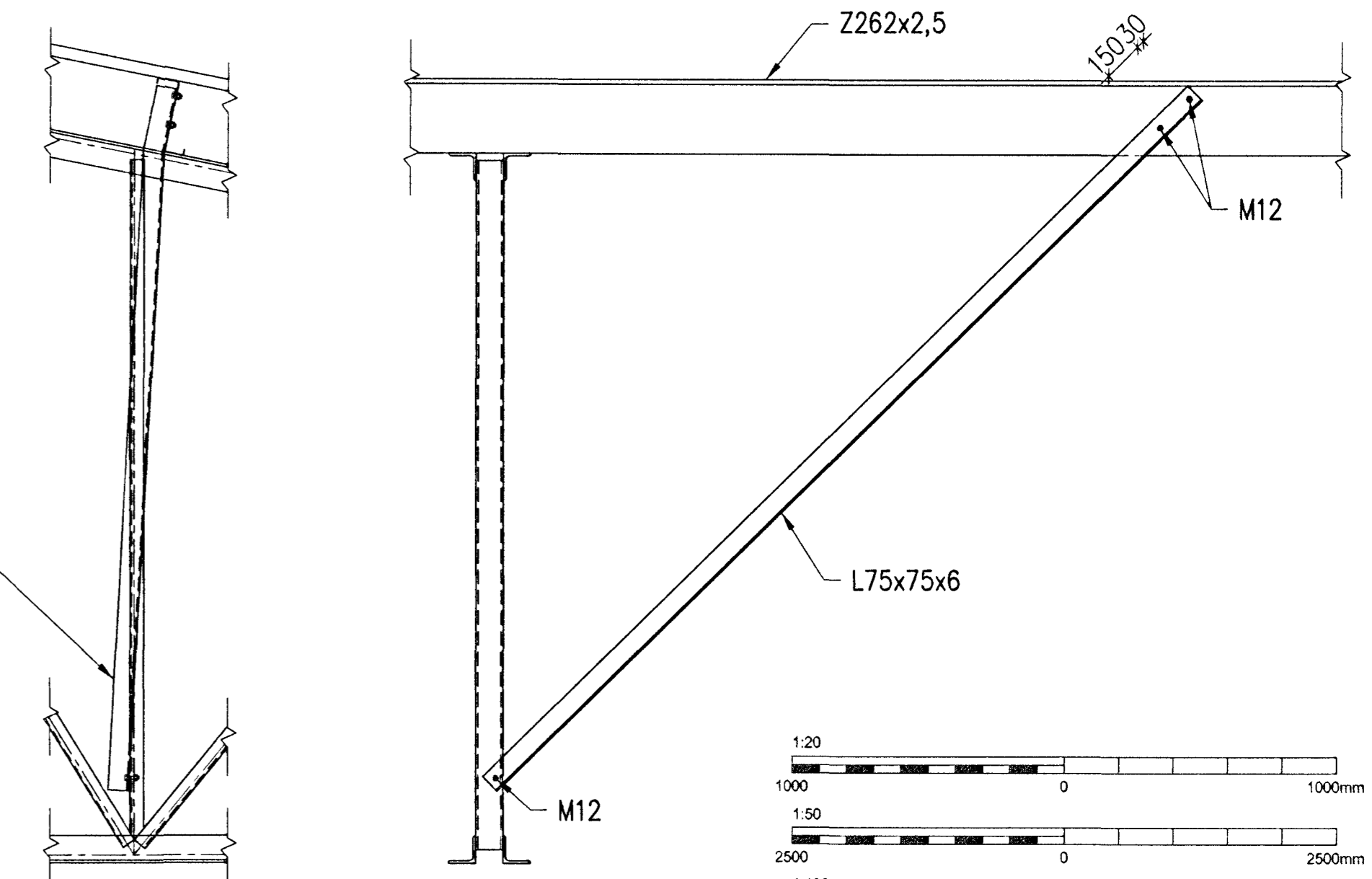
TEMPORARY CLOSURE 1:20



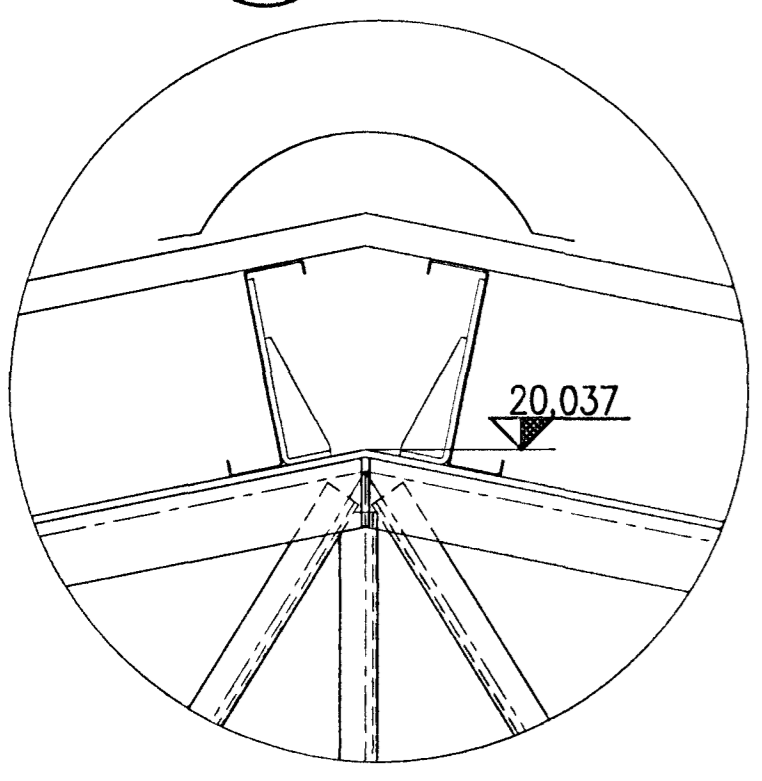
ROOF GIRDER 1:50



a
OUT OF PLAN BRACING
1:20



D2
DETAIL
1:10



Skýringar:
Explanations:



3	Issued for construction	10.11.24	Kjogu		
Drawn	Checked	Design Date	Design Approved	Noted/Revised	
Tilv. teikningar nr. ISAL Ref. drawing no. of ISAL		Samsettn. teikningar nr. ISAL Assembly drawing no. of ISAL			

This drawing is the property of the Rio Tinto Alcan Iceland Ltd and handed out for personal use only. It may neither be copied nor made available to others without permission of the Rio Tinto Alcan Iceland Ltd. The receiver is liable for any misuse.

Fjöldi stykja Number of pieces	Hlutur Object	Almátt Item	Efni Material	Þyngd Weight	Stærð Format	Mkv. 1:20/50/100	Althugsamir Remarks
IV III II I	ICC CASTHOUSE EXTENSION BUILDINGS BUILDING 2 AND SUBSTATION 58 STEEL STRUCTURE, FRAMES IN LINE 1-5, 11-13				A1	1:20/50/100	
	HRV						
	HS/LDB	2010.05.18	Yfirfarið Checked	NI	Samb. / Approved		
	RioTinto Alcan						