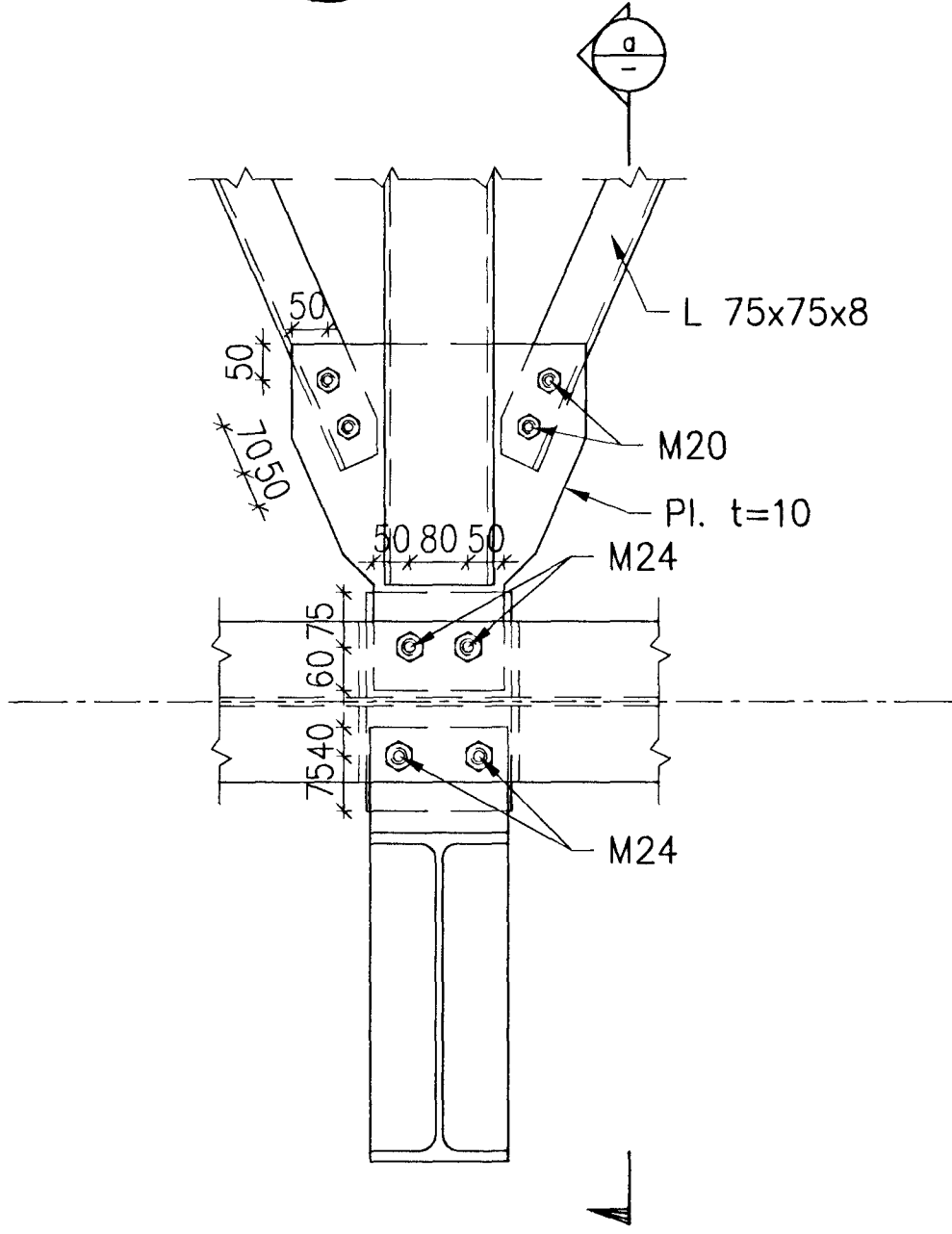


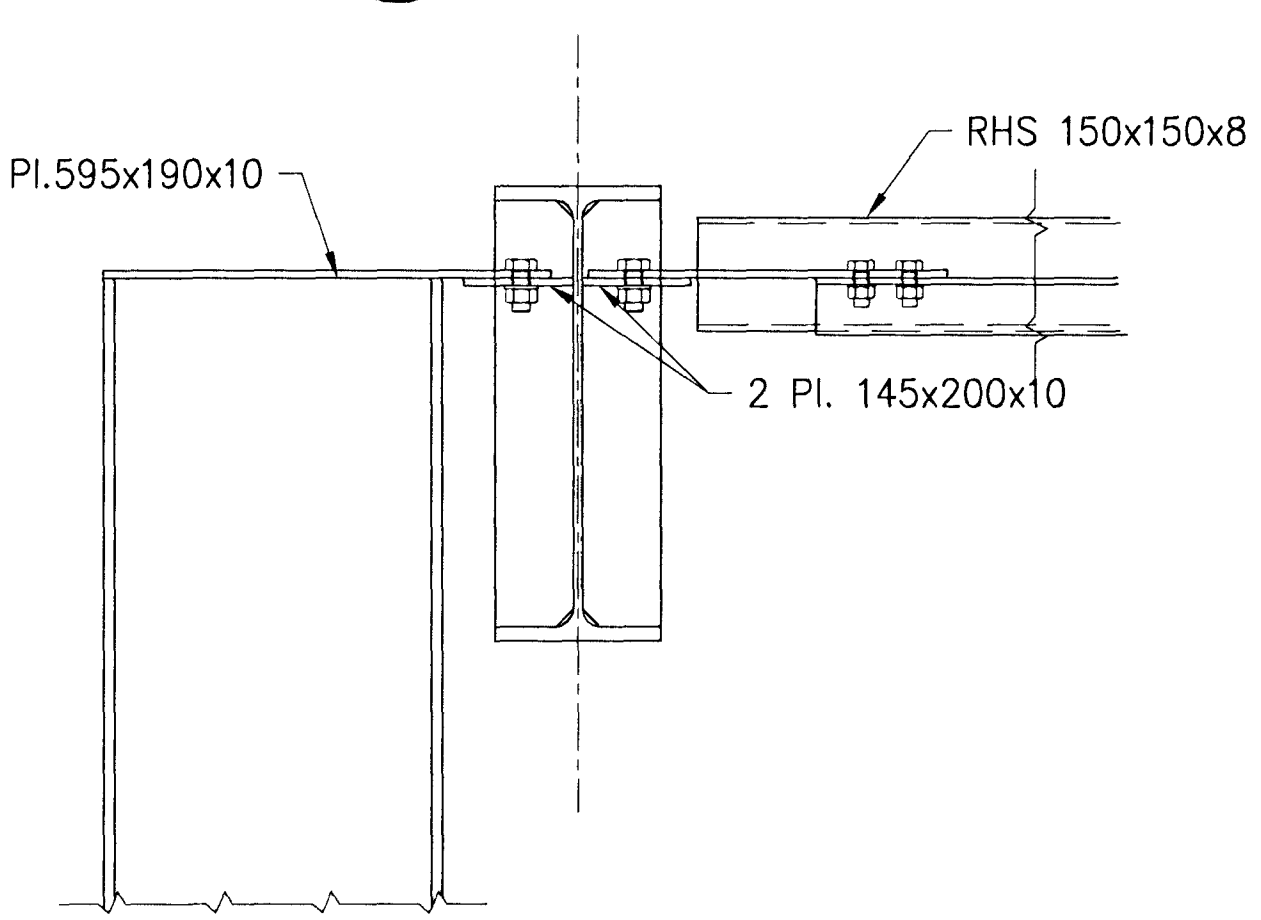
Samþykkt þann
19 JAN 2011
Byggingatillitunni / Hafnarfróði
F.h. Hrólfur S. Gunnlaugsson

Nick Indriðason
161

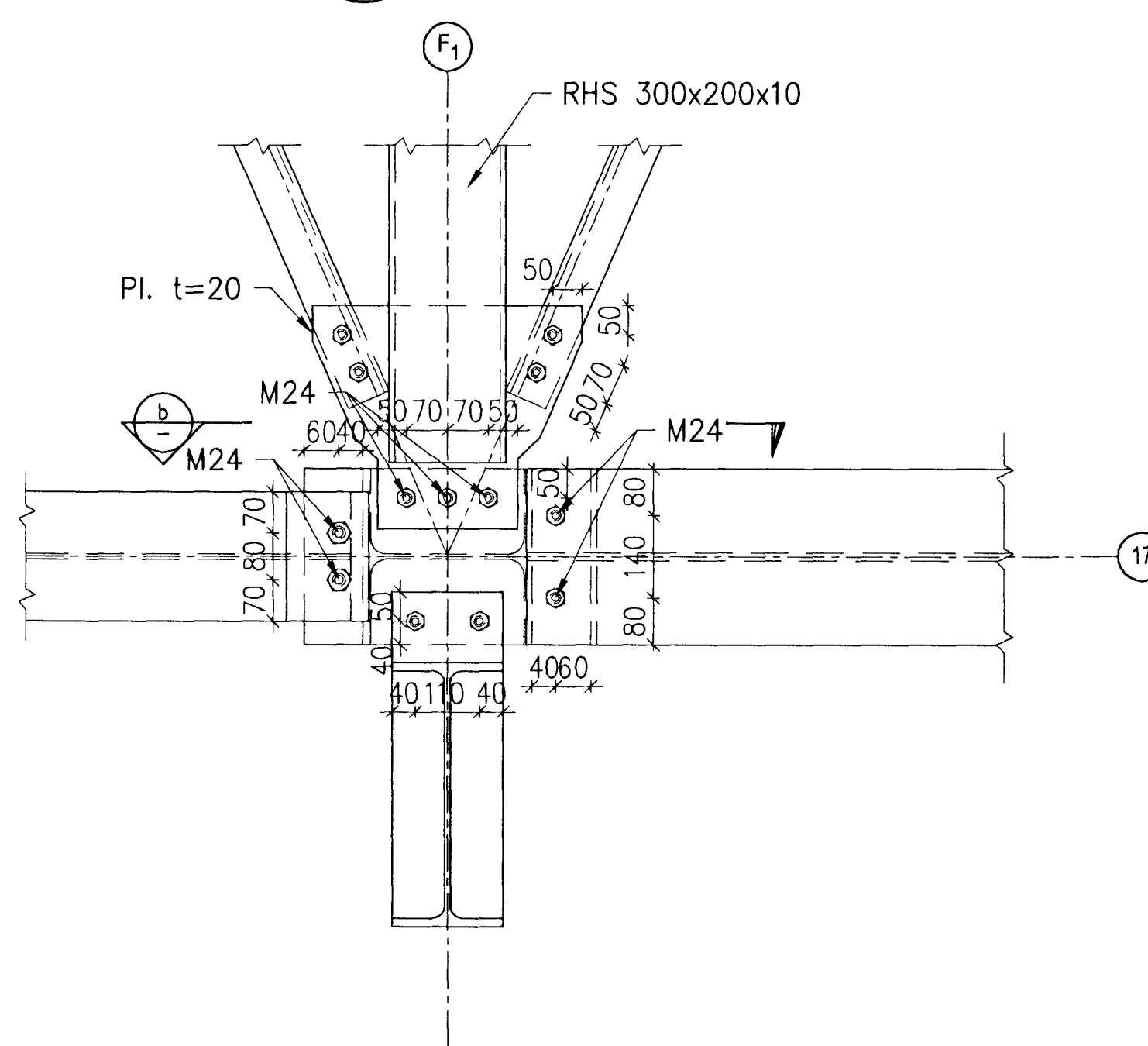
D17
202
DETAIL



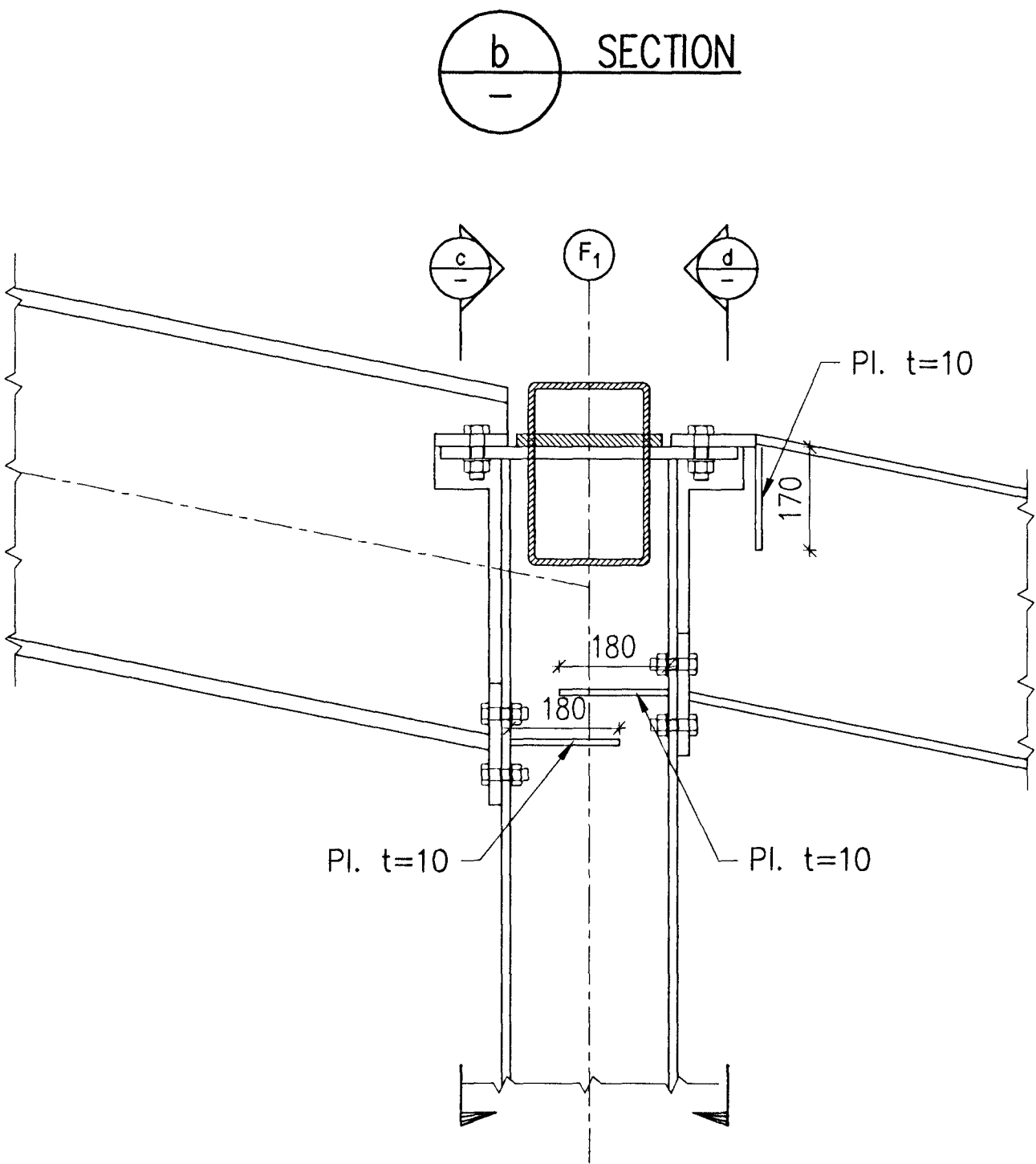
a
SECTION



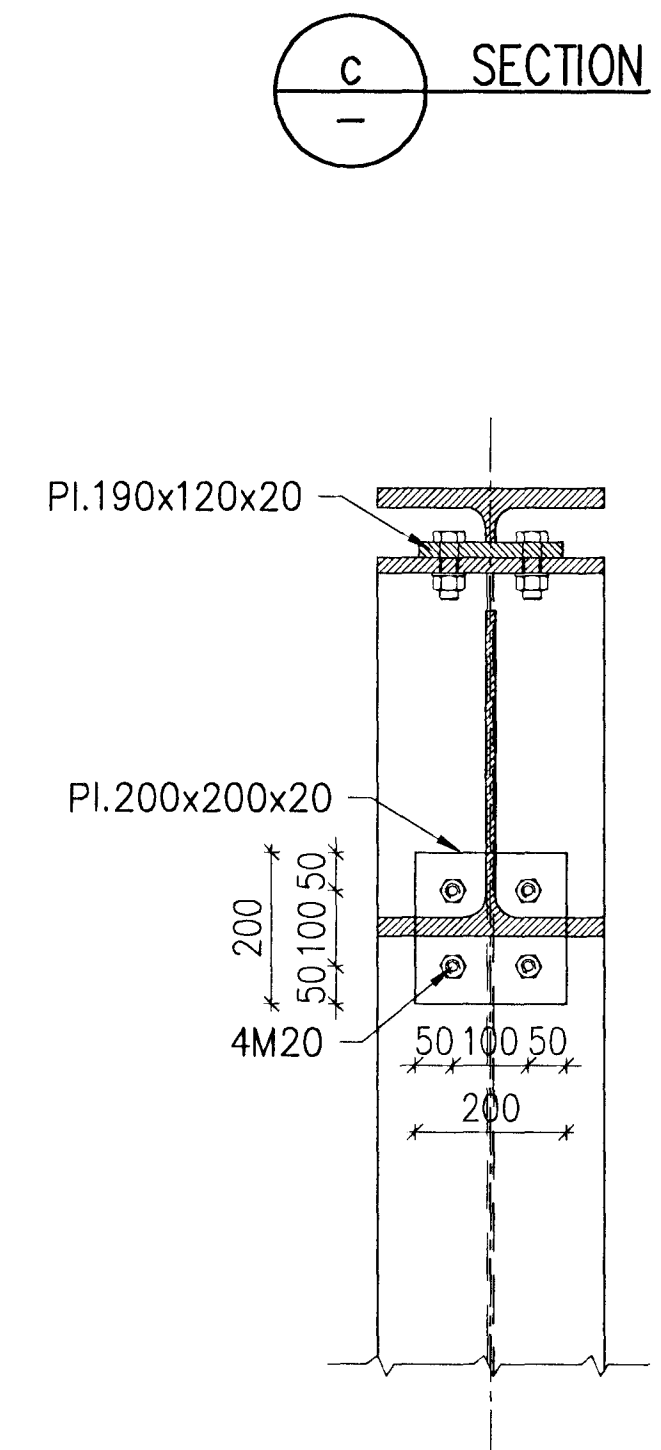
D18
202
DETAIL



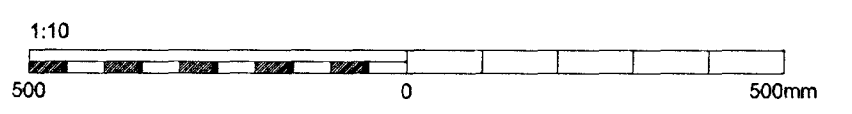
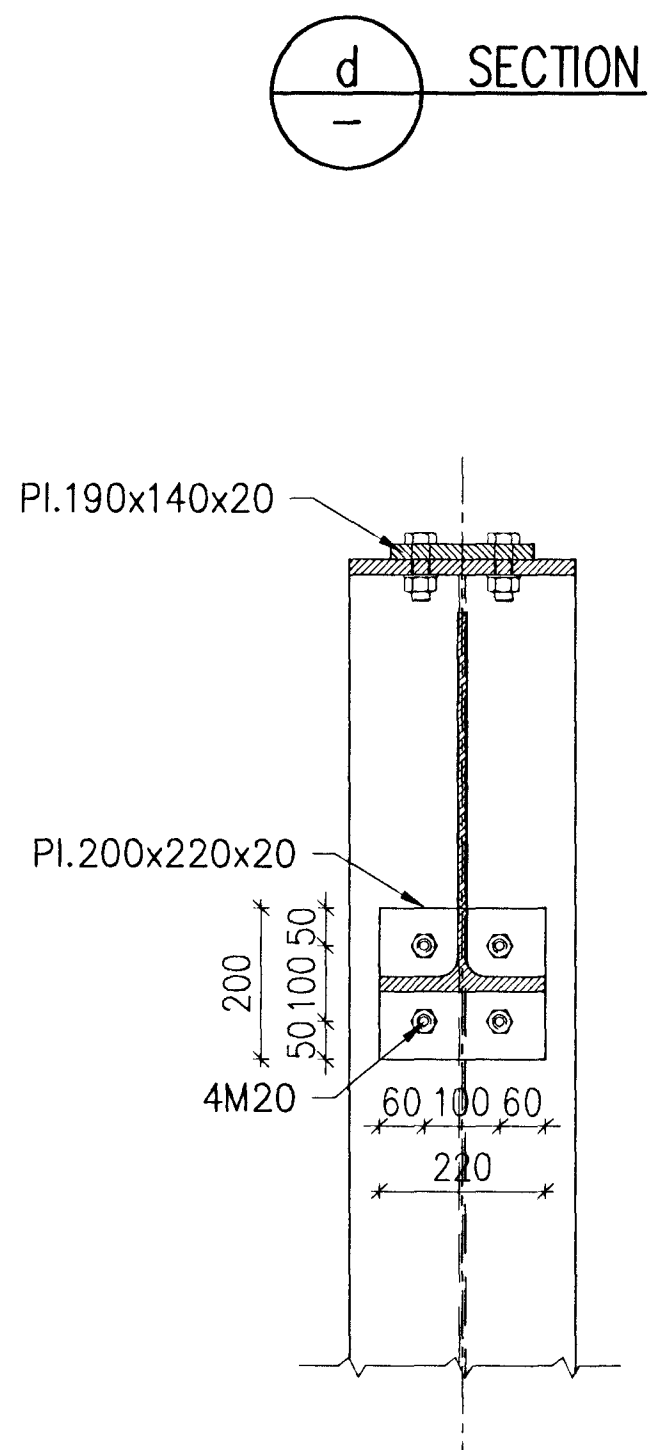
b
SECTION



c
SECTION



d
SECTION



Skýringar:
Explanations:



This drawing is the property of the Rio Tinto Alcan Iceland Ltd. and handed out for personal use only. It may neither be copied nor made available to others without permission of the Rio Tinto Alcan Iceland Ltd. The receiver is liable for any misuse.

Fjöldi stykja / Number of pieces	Hlutur Object	Alnám Item	Efni Material	eo. stk Weight	Ítalaf. heild (kg) / Total	Athugasemdir Remarks
IV III II I	ICC CASTHOUSE EXTENSION BUILDINGS BUILDING 2, STEEL STRUCTURE WIND BRACING, DETAIL AND SECTIONS 6/7				Starb Format A1 Msk. Scale 1:10	
		Verkafi / Supplier	HRV		Tekn. verti / Drawn by	
		Teknað / Drawn	IAJ/LDB	2010.11.01	Yfirfarið / Checked	NI
		Breyt. Rev.			Samþykkt Approved	NI
					ISAL Drawn by	
					IS-222 Hafnarforður	
					Nútkun heimilub Released	