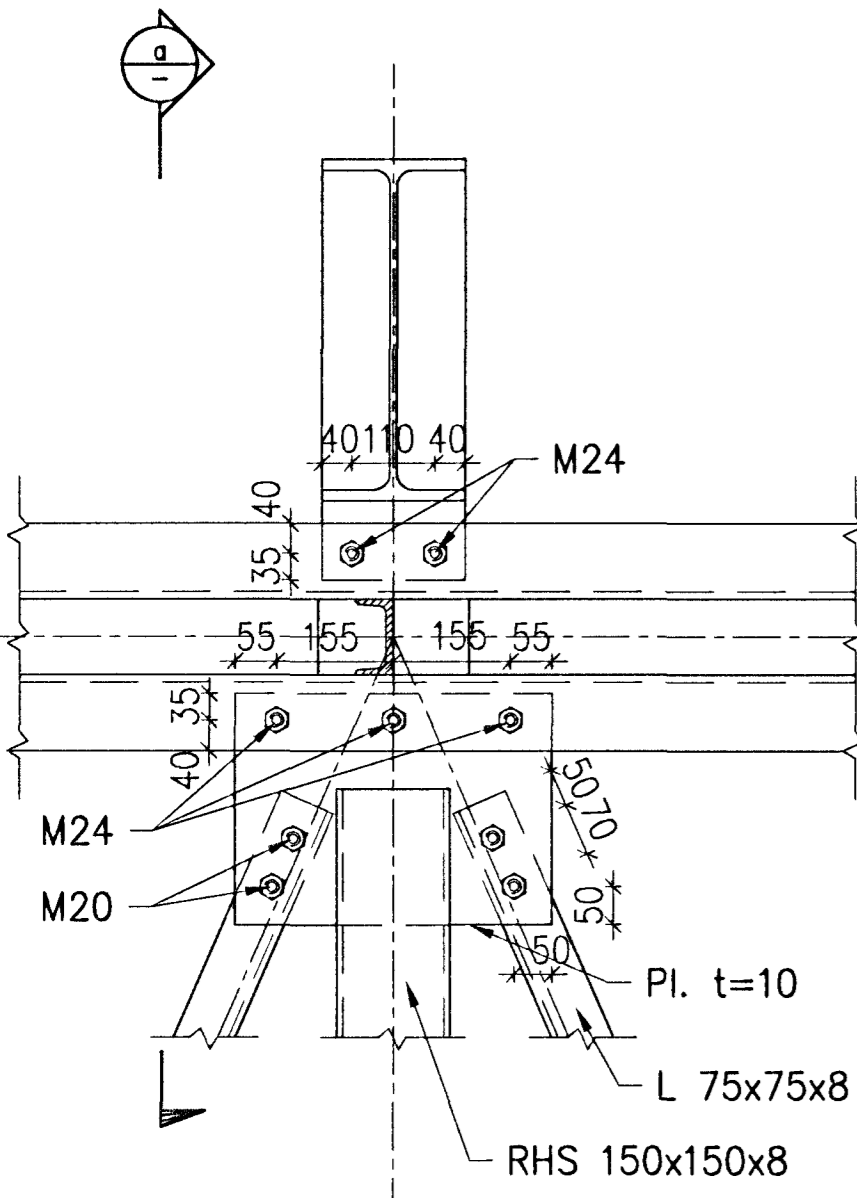
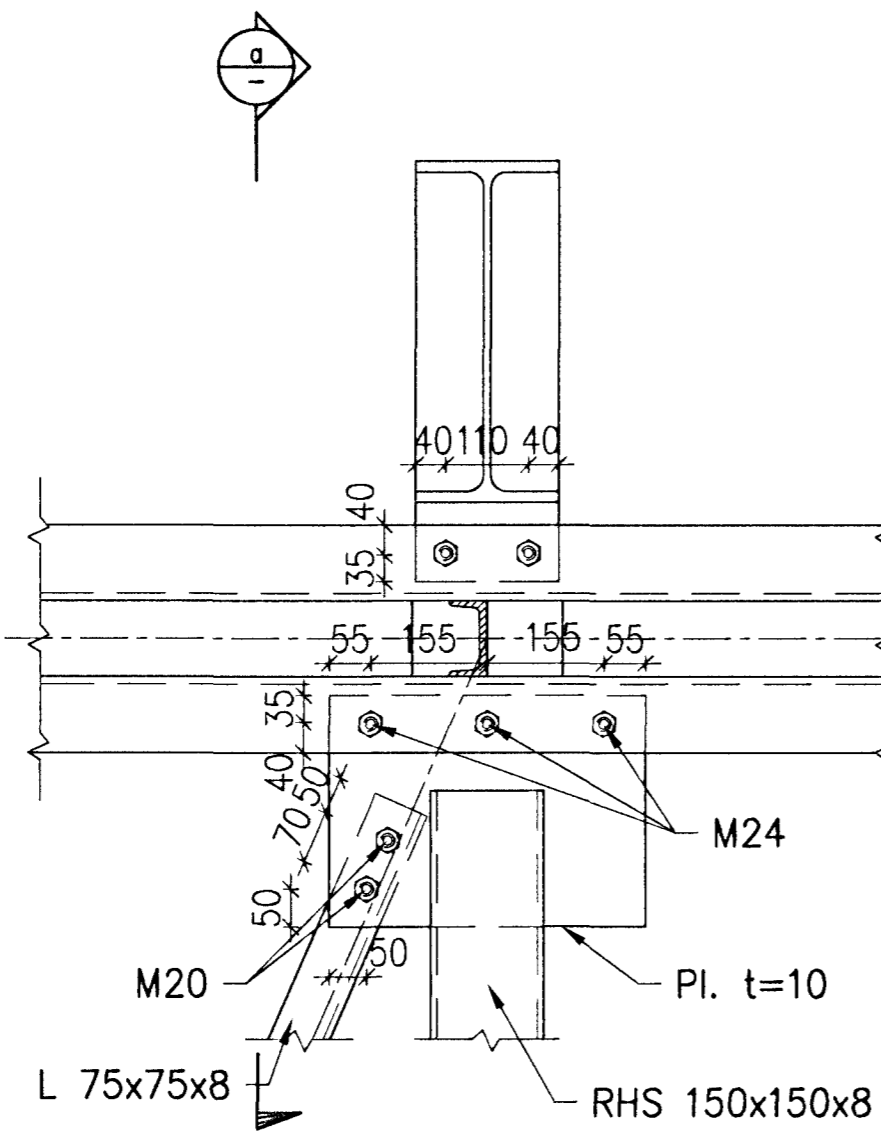


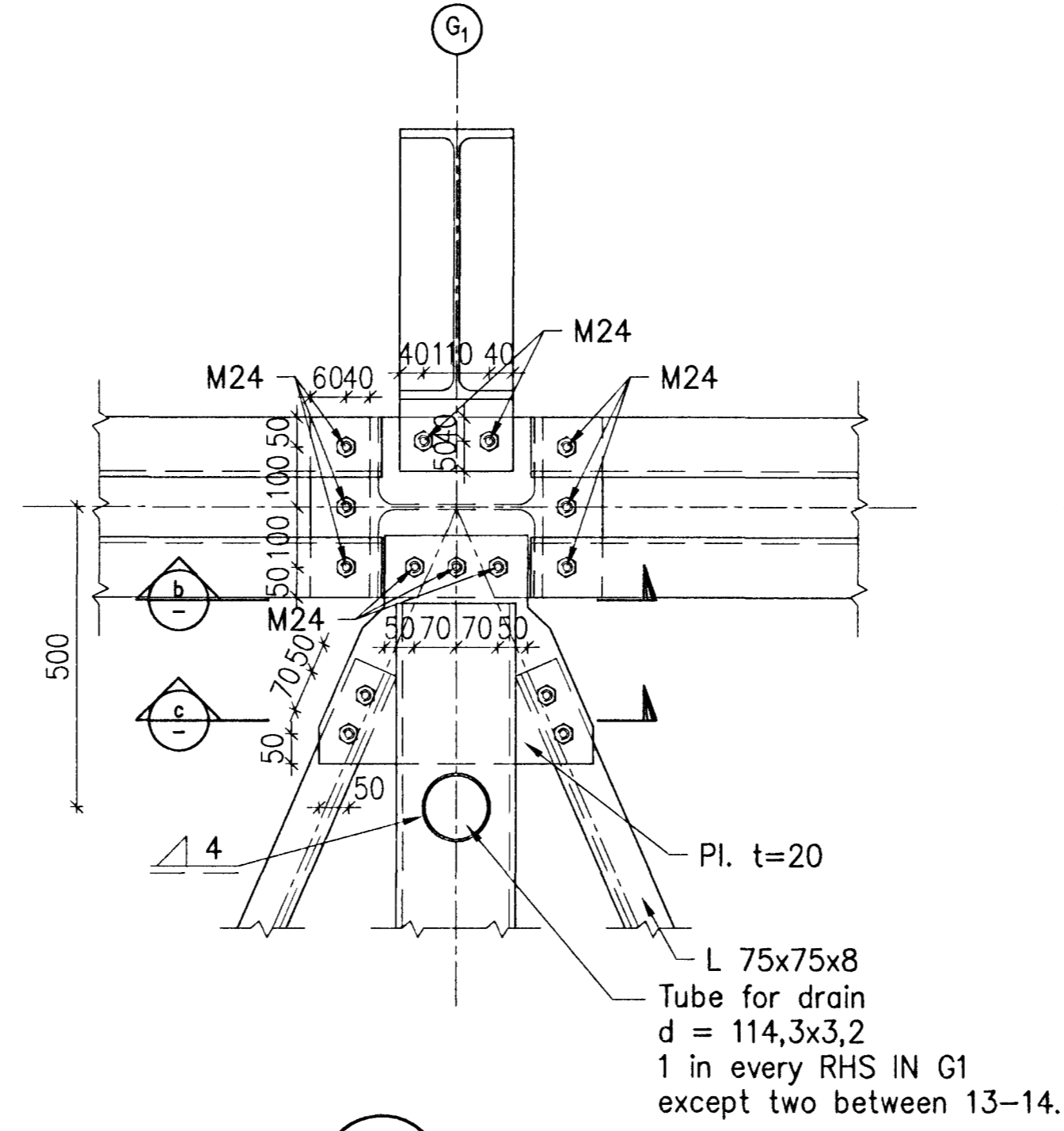
D4 DETAIL
202



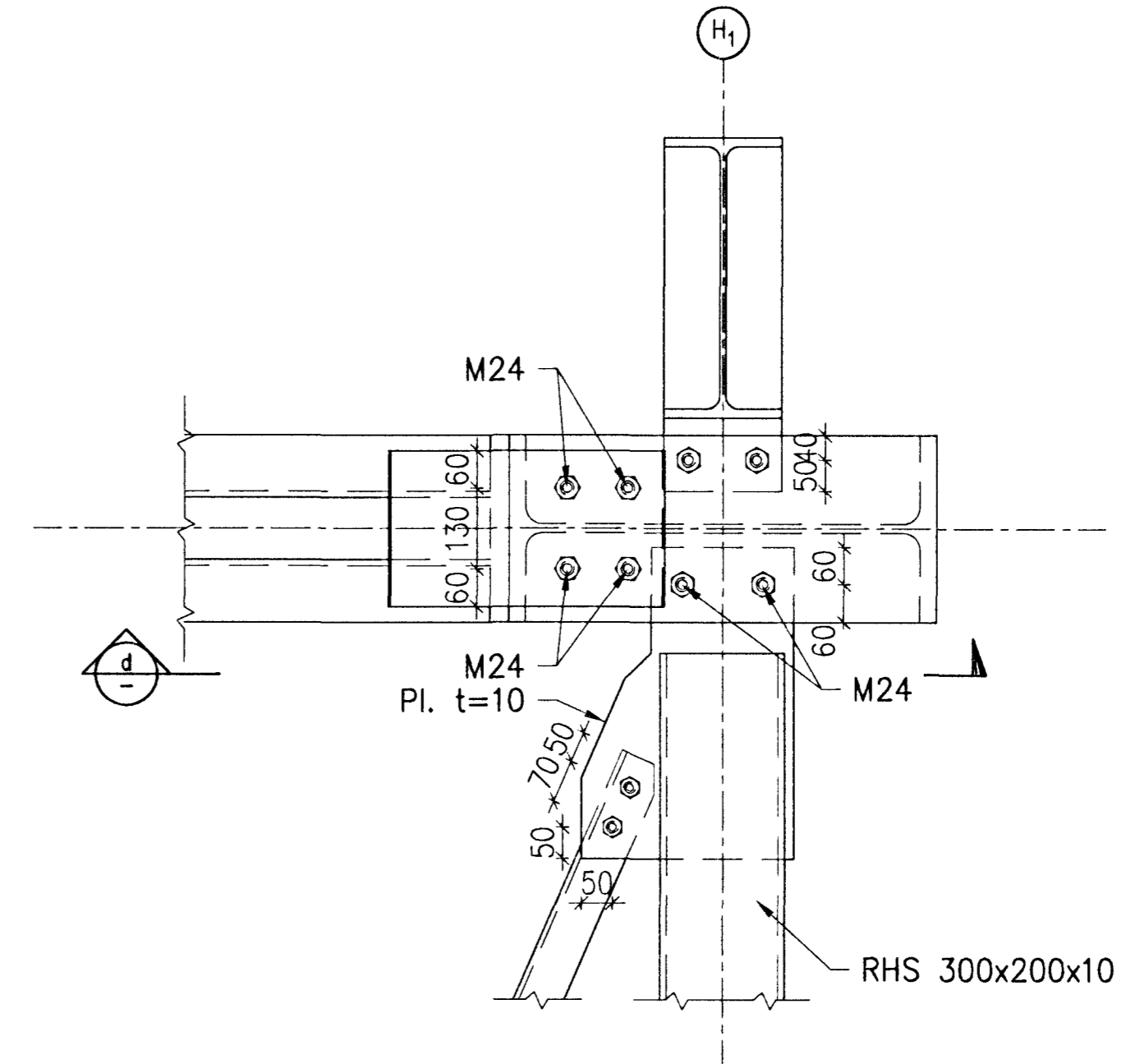
D5 DETAIL
202



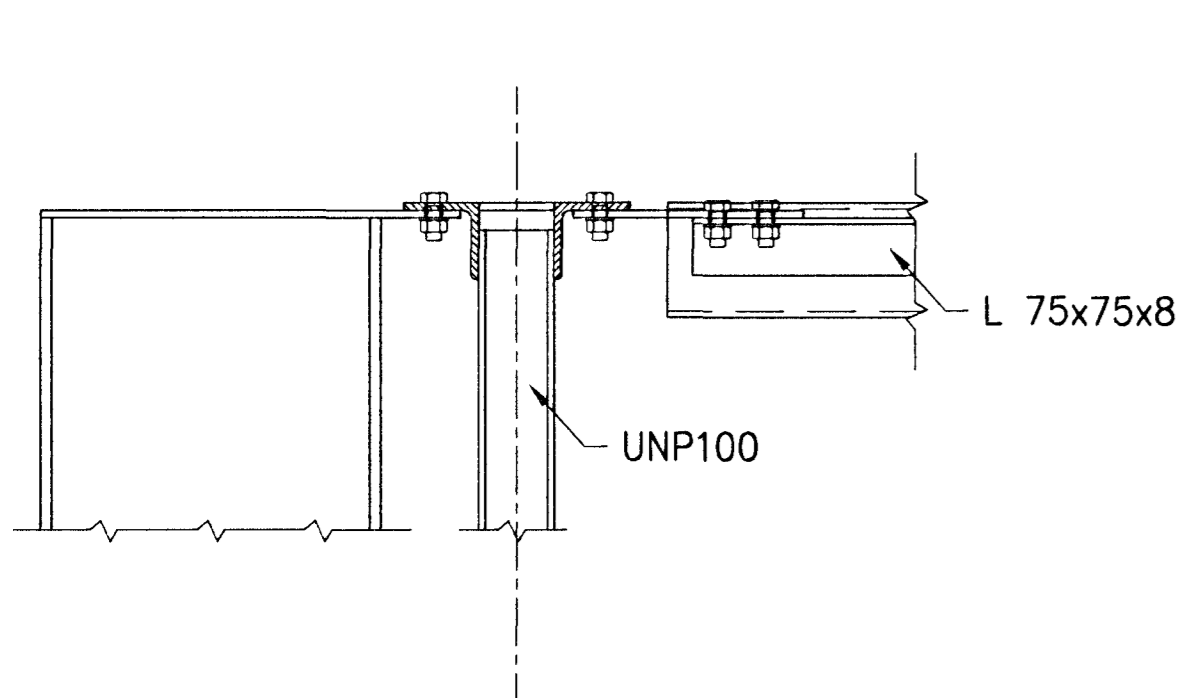
D6 DETAIL
202



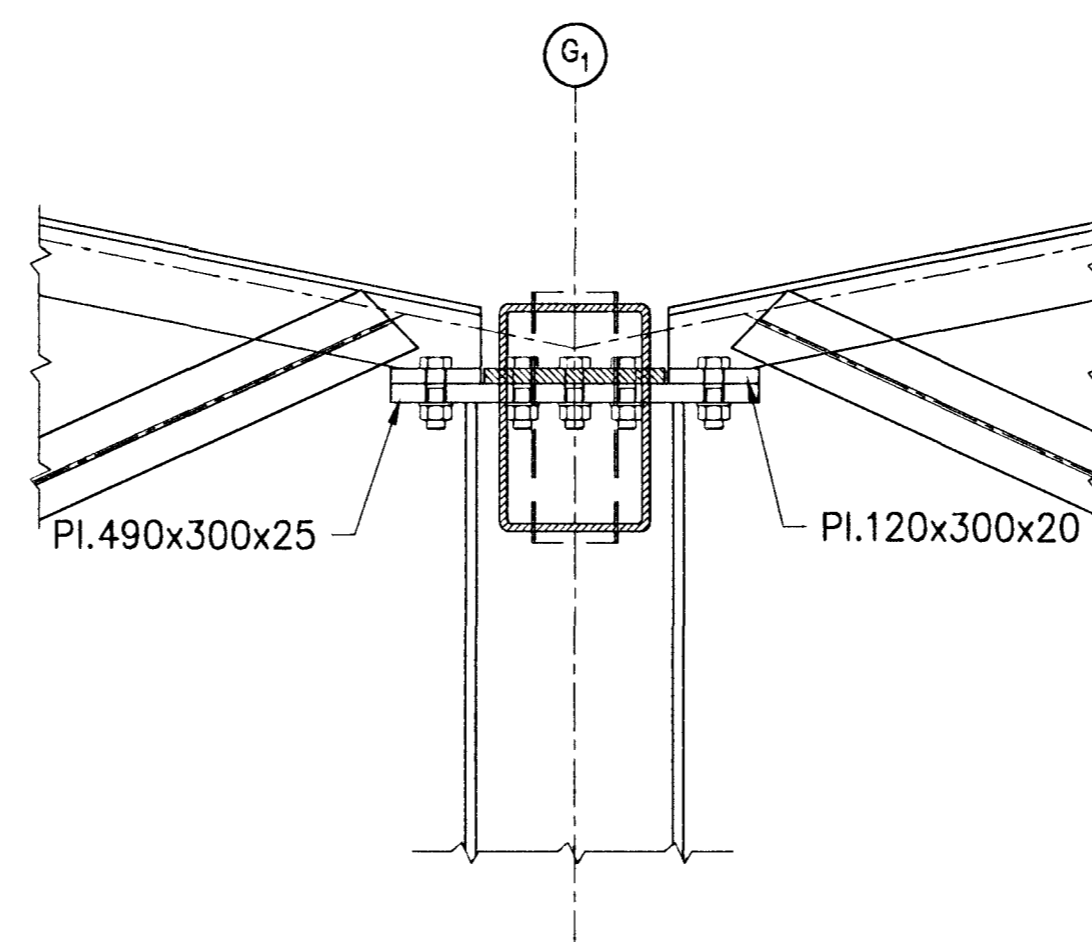
D7 DETAIL
202



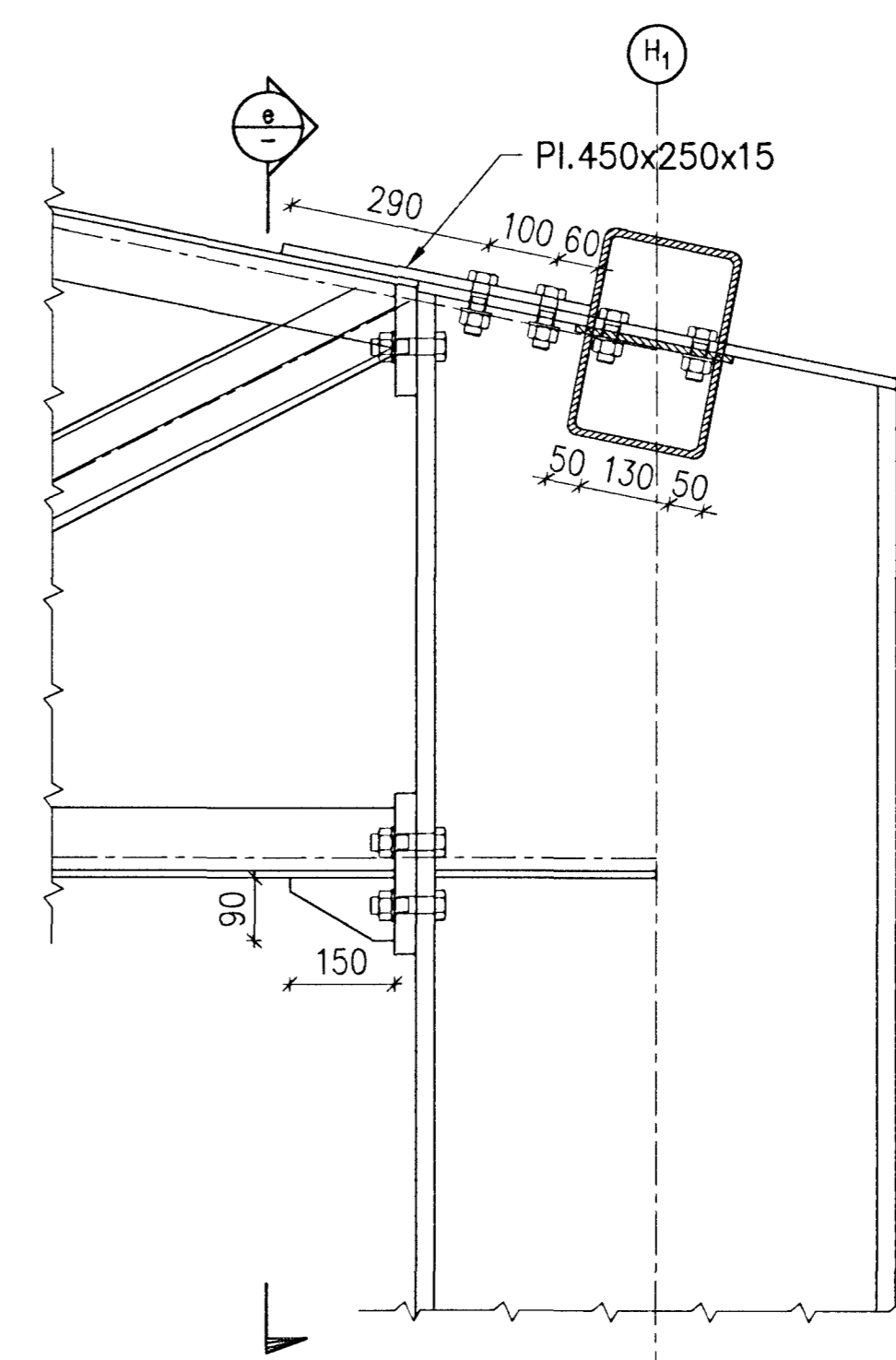
a SECTION
-



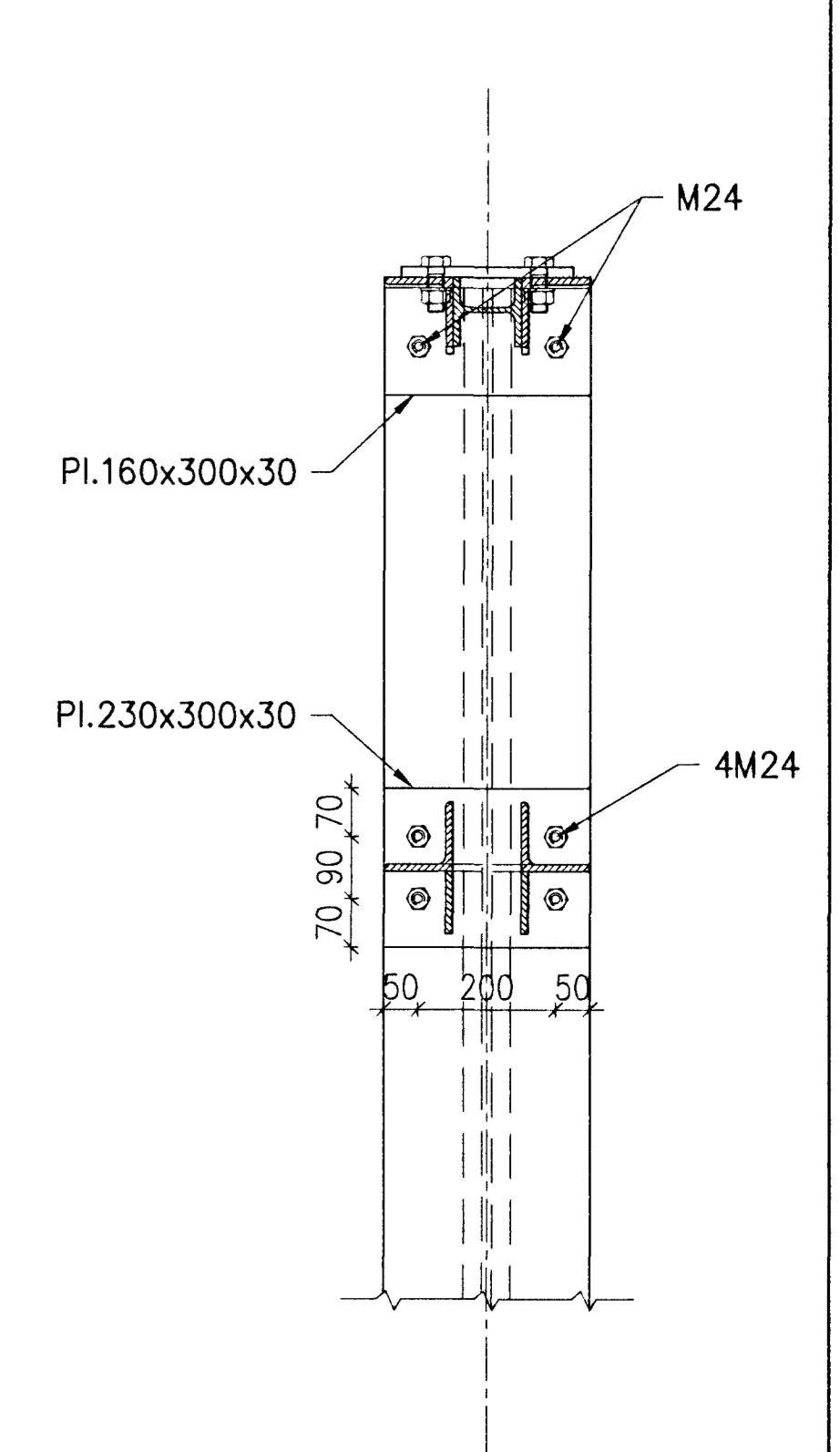
b SECTION
-



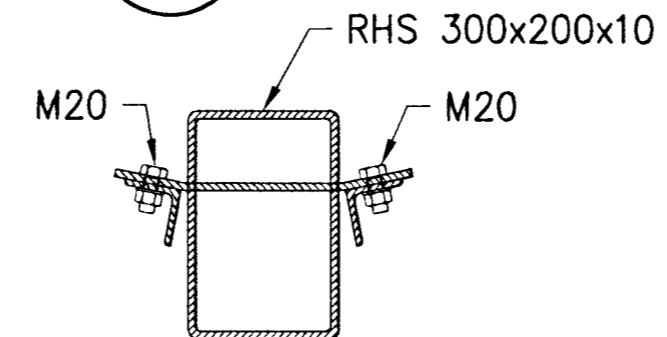
d SECTION
-



e SECTION
-

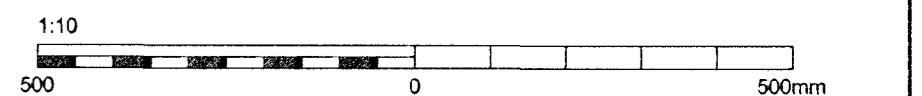


c SECTION
-



Samþykkt þann
19 JAN 2011
Byggingulvarnari í Hafnarfríði
F.h. Hörður S. Gunnlaugsson

Nick Indriðason
NI



Skýringar:
Explanations:



This drawing is the property of the Rio Tinto Alcan Iceland Ltd. and handed out for personal use only. It may neither be copied nor made available to others without permission of the Rio Tinto Alcan Iceland Ltd. The receiver is liable for any misuse.										
Fjöldi stykkja Number of pieces	IV	III	II	I	ICC CASTHOUSE EXTENSION BUILDINGS BUILDING 2, STEEL STRUCTURE WIND BRACING, DETAIL AND SECTIONS 2/7	Hlutur Object	Atriði Item	Efni Material	Þsg. Stk Weight	Ítalgi Scale
Breyt. Rev.	2 Issued for construction			Dags. Date	10.11.24	Samþ. Approved	Nelk. Released			
Tilvitnunar nr. ISAL Ref.drawing no. of ISAL										
Samsetningarlínur nr. ISAL Assembly drawing no. of ISAL										

Fjöldi stykkja Number of pieces	IV	III	II	I	ICC CASTHOUSE EXTENSION BUILDINGS BUILDING 2, STEEL STRUCTURE WIND BRACING, DETAIL AND SECTIONS 2/7	Hlutur Object	Atriði Item	Efni Material	Þsg. Stk Weight	Ítalgi Scale
Breyt. Rev.	2 Issued for construction			Dags. Date	10.11.24	Samþ. Approved	Nelk. Released			
Tilvitnunar nr. ISAL Ref.drawing no. of ISAL										
Samsetningarlínur nr. ISAL Assembly drawing no. of ISAL										