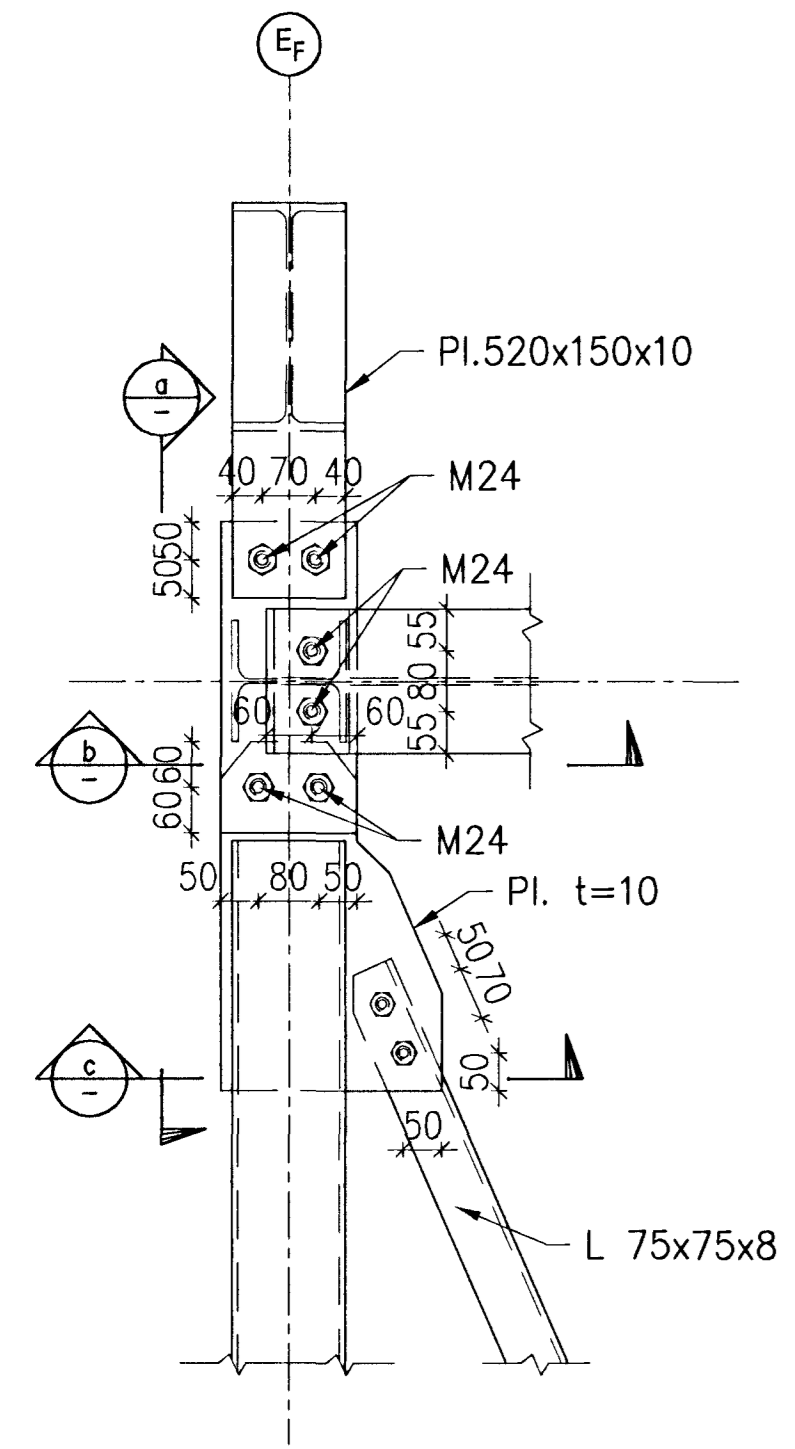
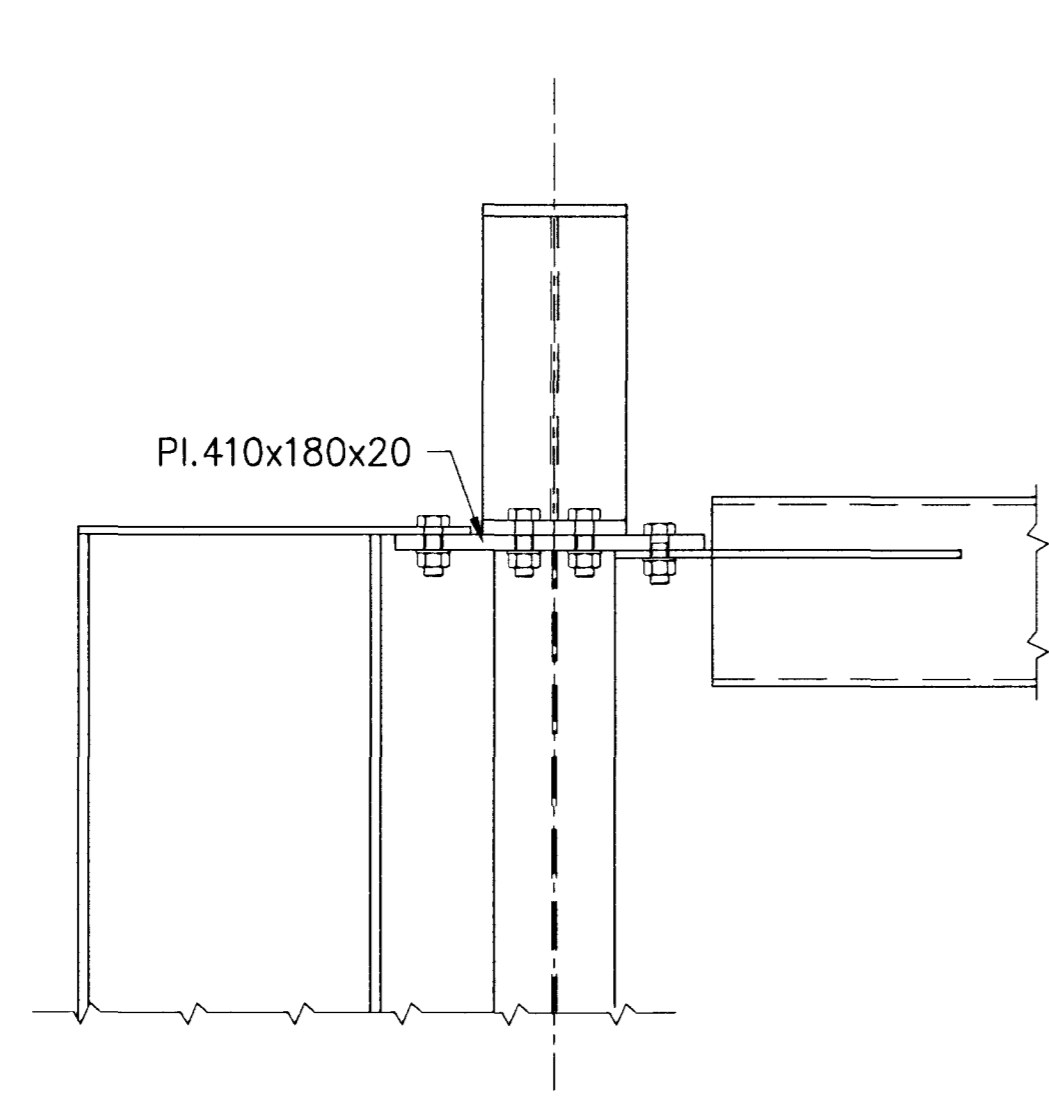


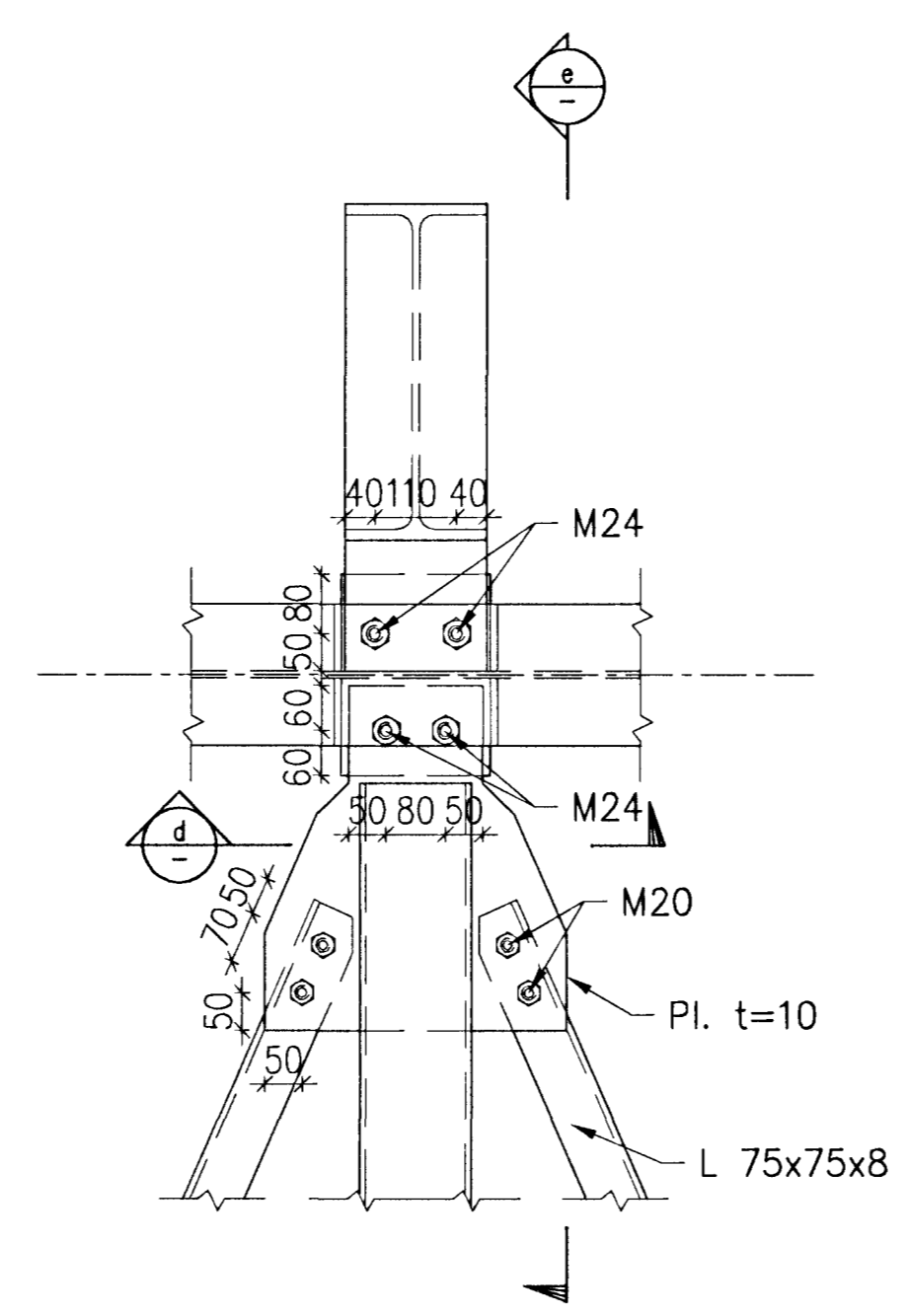
D1
202
DETAIL



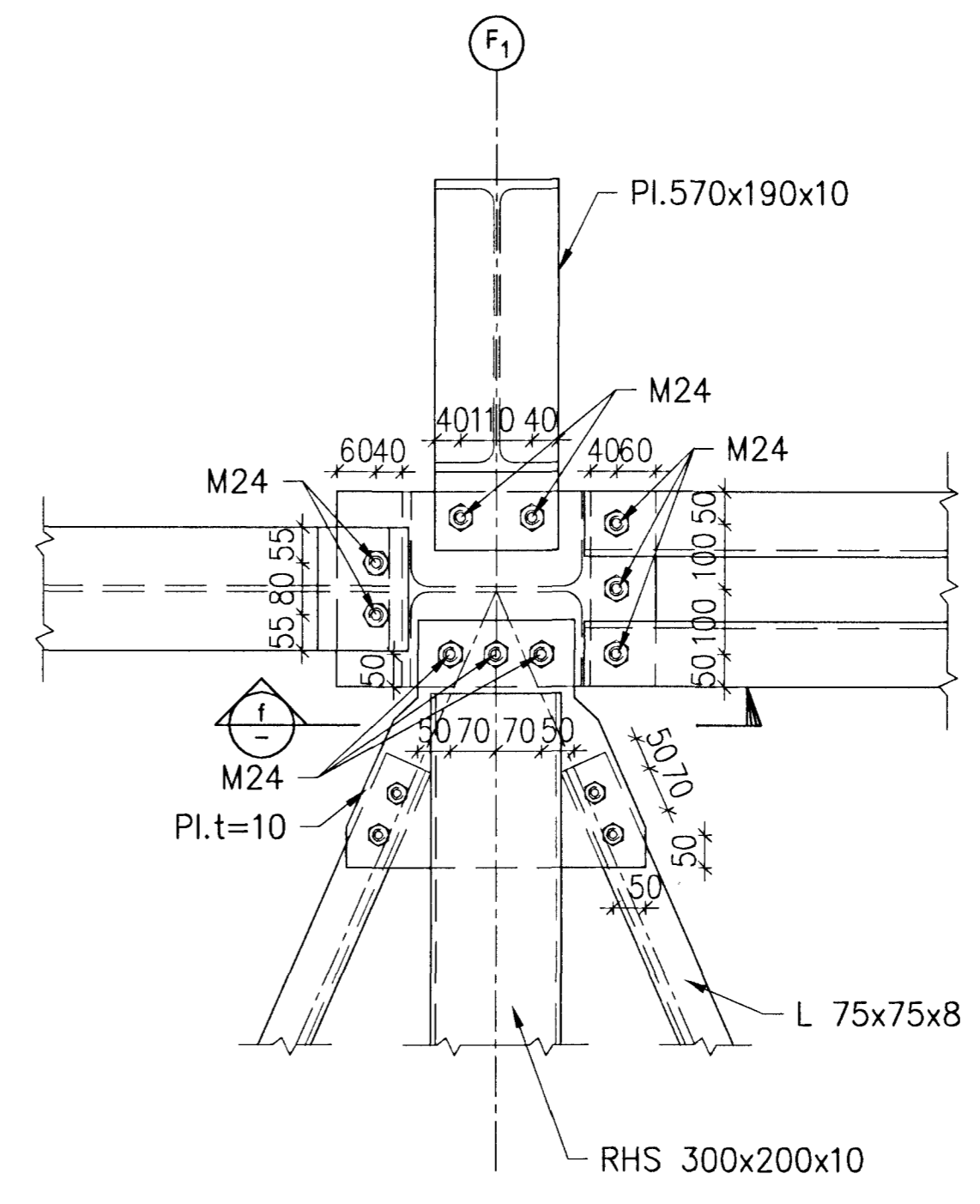
a
SECTION



D2
202
DETAIL

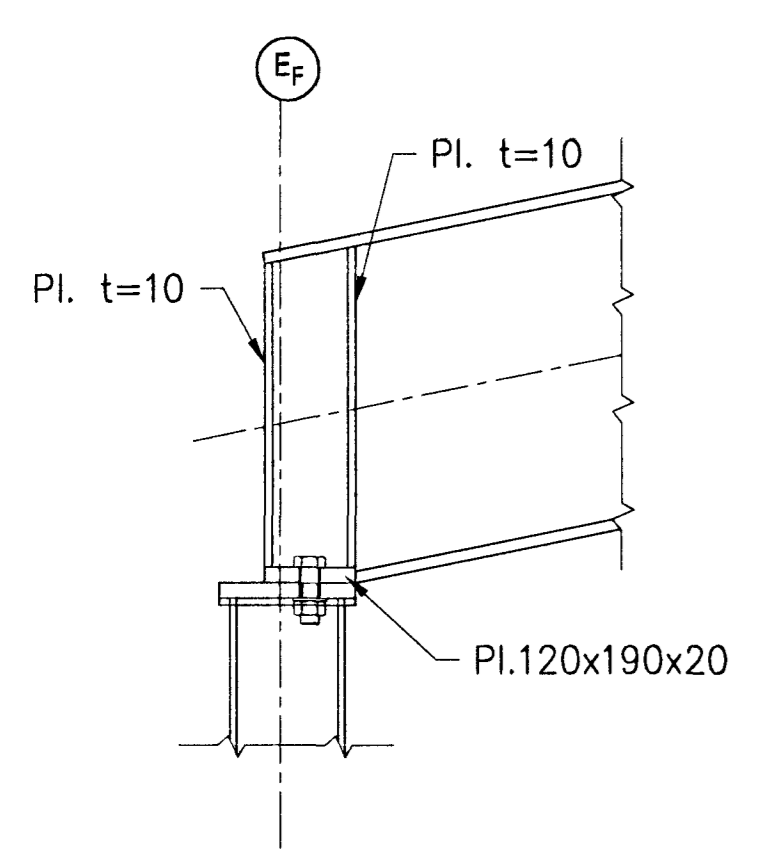


D3
202
DETAIL

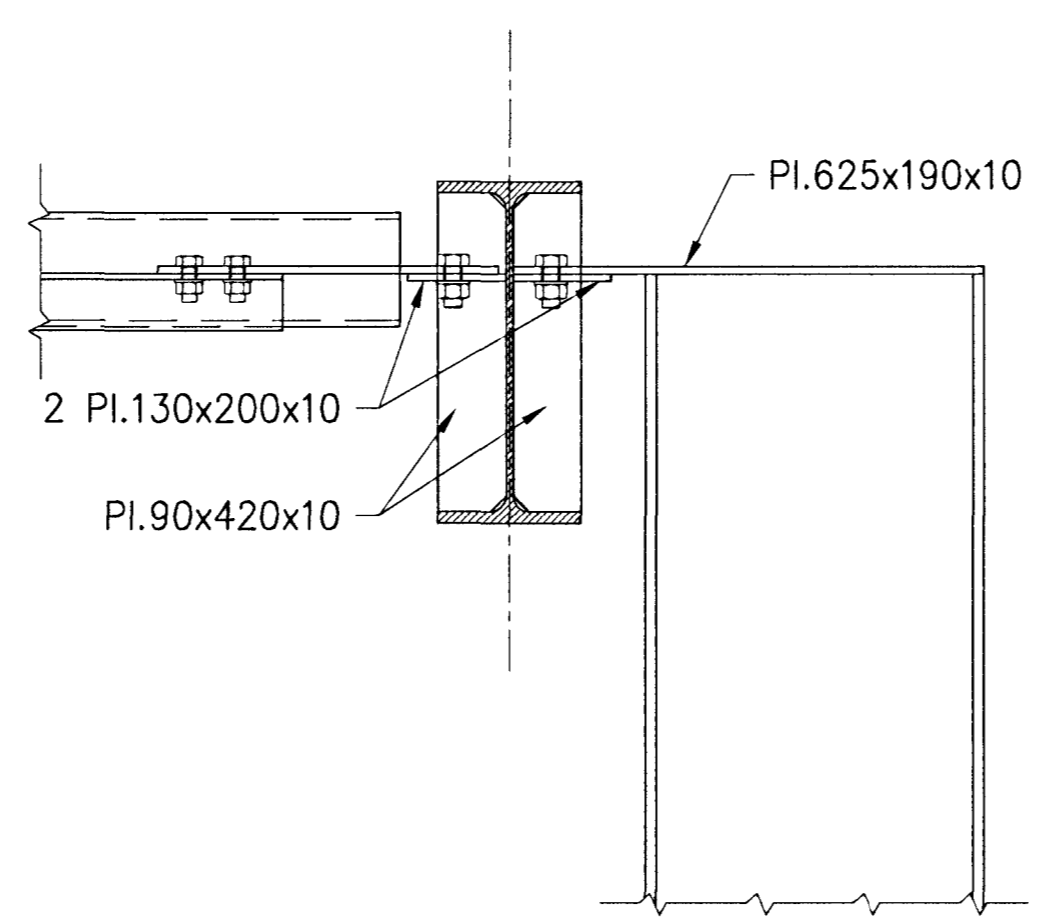


Sampykkt bann
19 JAN 2011
Byggingar og húsnæðing
F.h. Hrólfur S. Gunnlaugsson

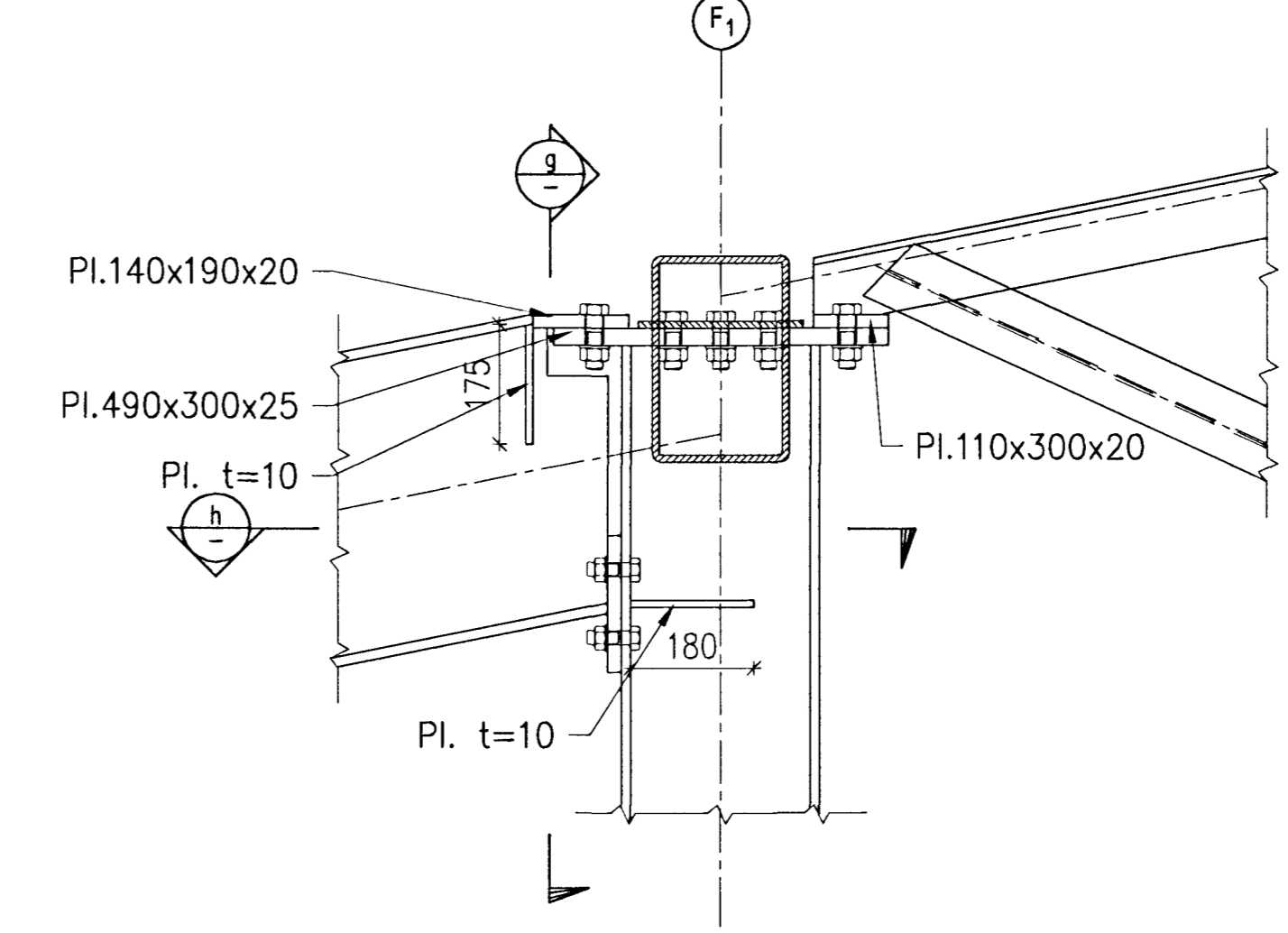
b
SECTION



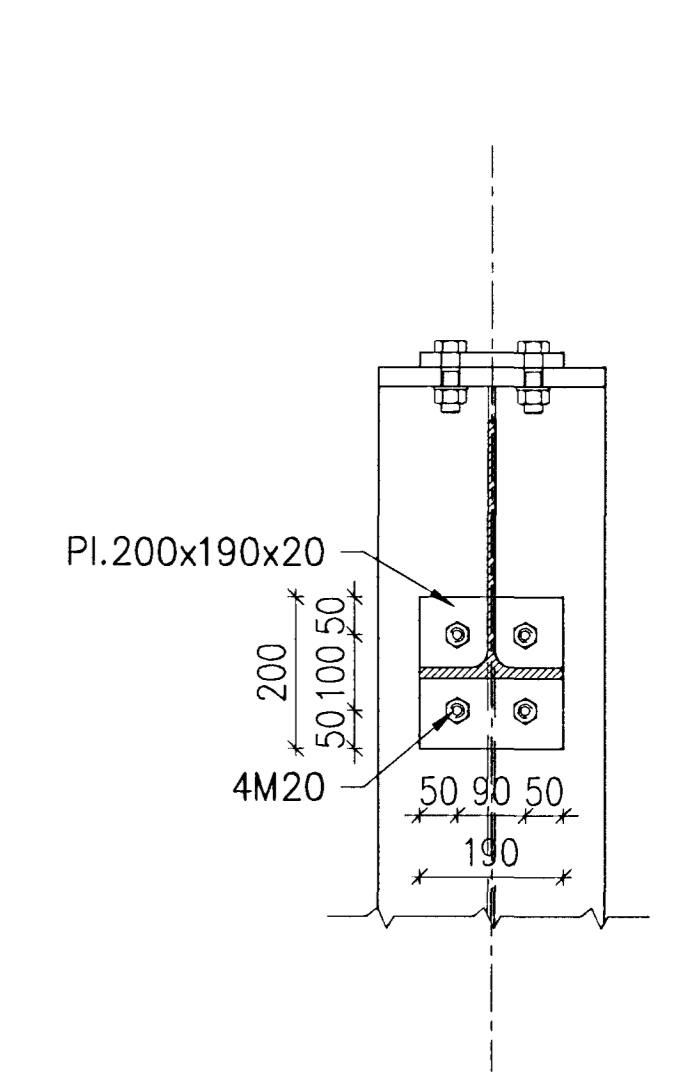
e
SECTION



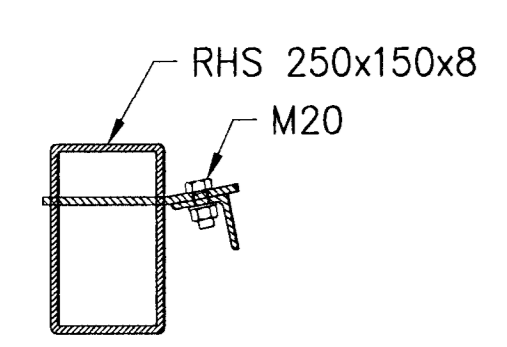
f
SECTION



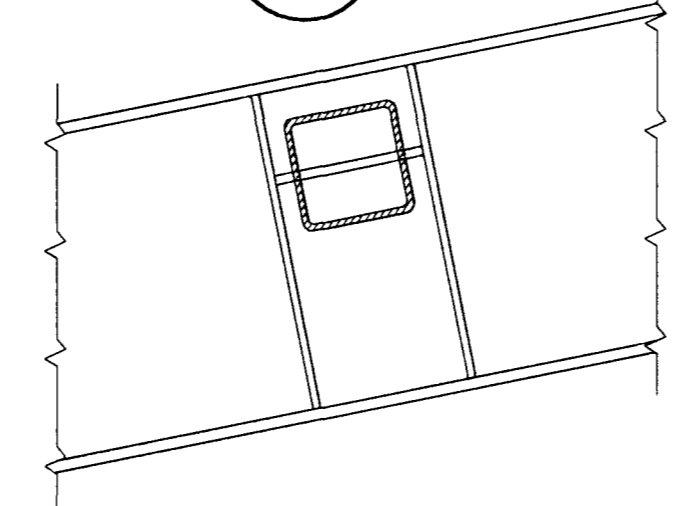
g
SECTION



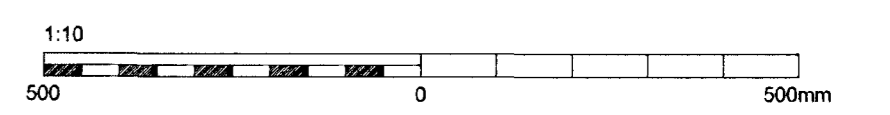
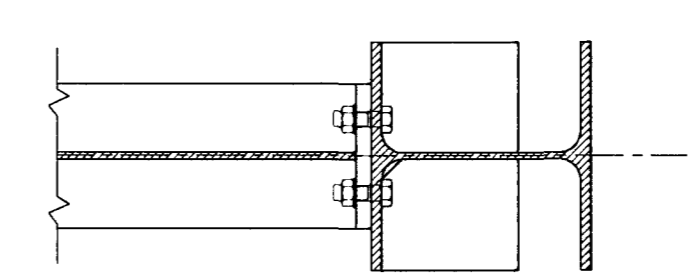
c
SECTION



d
SECTION



h
SECTION



Skýringar: Explanations:				
	This drawing is the property of the Rio Tinto Alcan Iceland Ltd. and handed out for personal use only. It may neither be copied nor made available to others without permission of the Rio Tinto Alcan Iceland Ltd. The receiver is liable for any misuse.			
2 Issued for construction	10.11.24	Kjs	Nolk. heim. Released	Fjöldi stúkkja / Number of pieces: IV III II I
Breyt. / Rev.	Breyting / Revision	Dags. / Date	Samþ. / Approved	Hlutur / Object: ICC CASTHOUSE EXTENSION BUILDINGS BUILDING 2, STEEL STRUCTURE WIND BRACING, DETAIL AND SECTIONS 1/7
Tíu teikningar nr. ISAL / Ref. drawing no. of ISAL		Samsettn. teikningar nr. ISAL / Assembly drawing no. of ISAL		Atriði / Item: A1
C:\VDP\03 ICC\600 Casting\600 Drawings\Civil\ICC-611-ZA-518-203.dwg				Efni / Material:
Rio Tinto Alcan				eð. / stk. / Weight:
Teknað / Drawn: IAJ/LDB 2010.11.01				Totalt í heild / Total in all:
Yfirfarið / Checked: NI				1:10
Samþykkt / Approved:				Athugasemdir / Remarks:
Kostn. nr. - búna. nr. / Óbna. - Eq. no.:				Tekn. nr. / Draw. no.:
ISAL				ICC-611-ZA-518-203 C
IS 222 Hálfarþundur				Yfirfarið og þjót / Checked and filed:
Nöskun heimild / Released:				Nöskun heimild / Released: