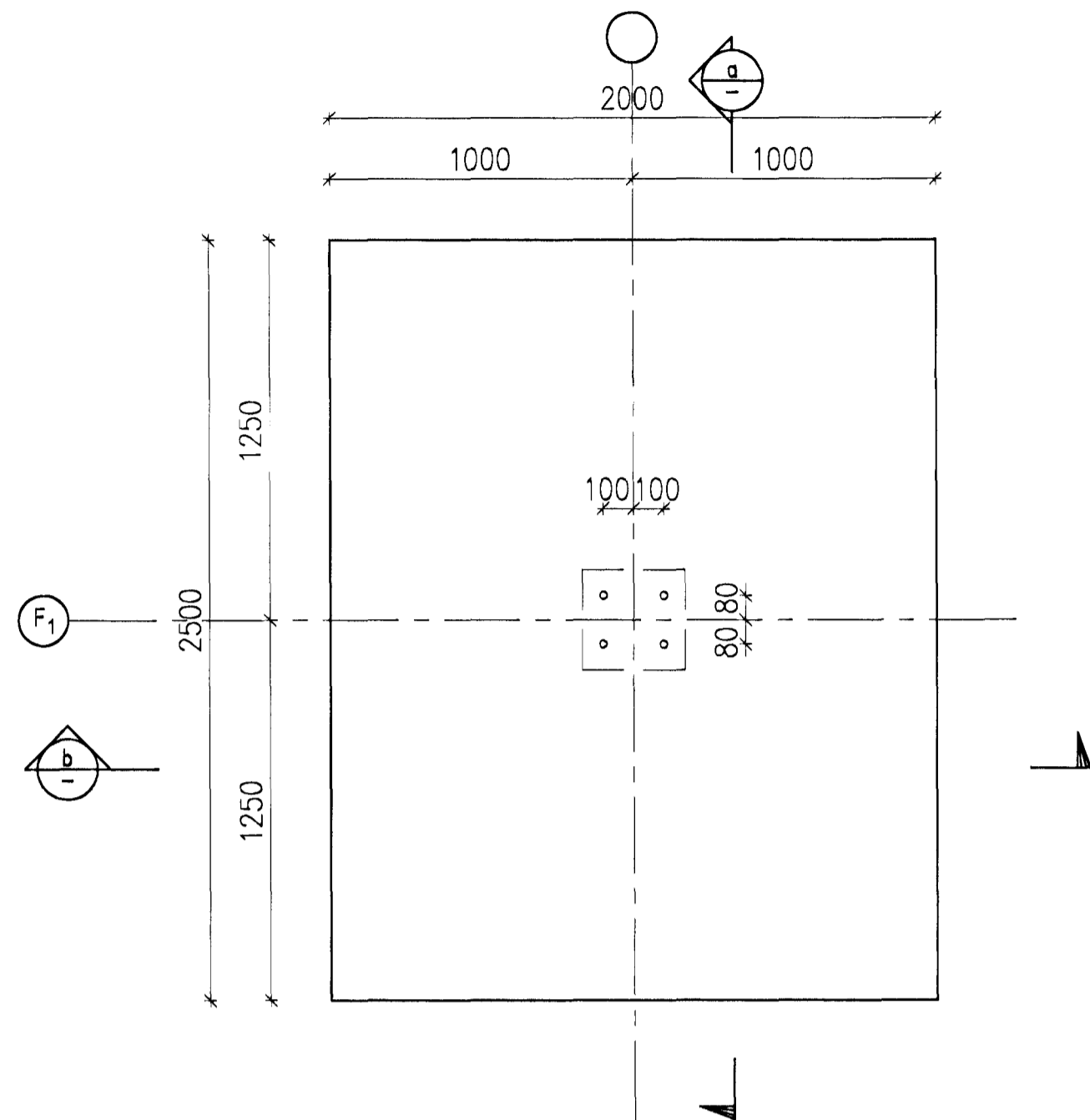
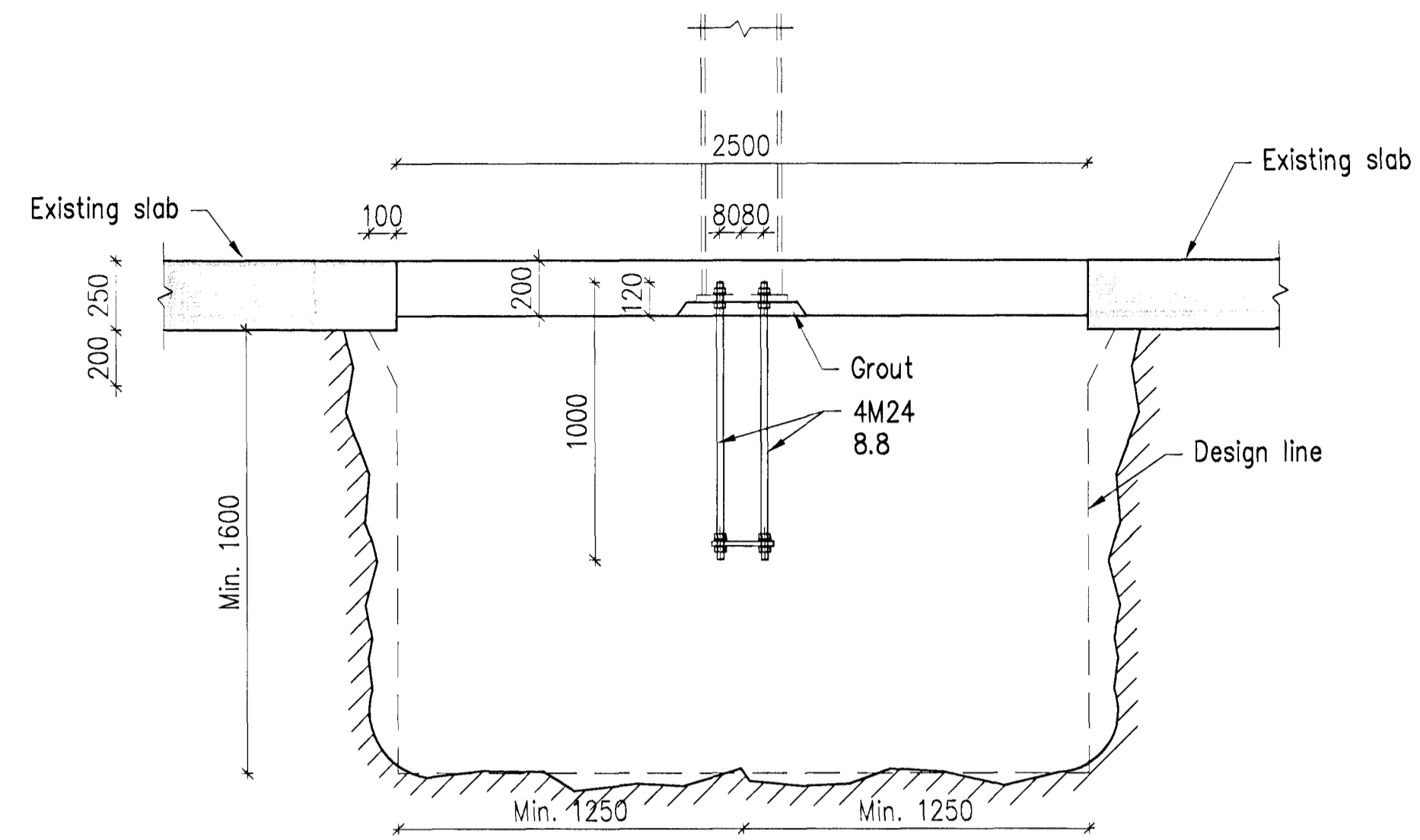


FOUNDATION F1

7 pcs



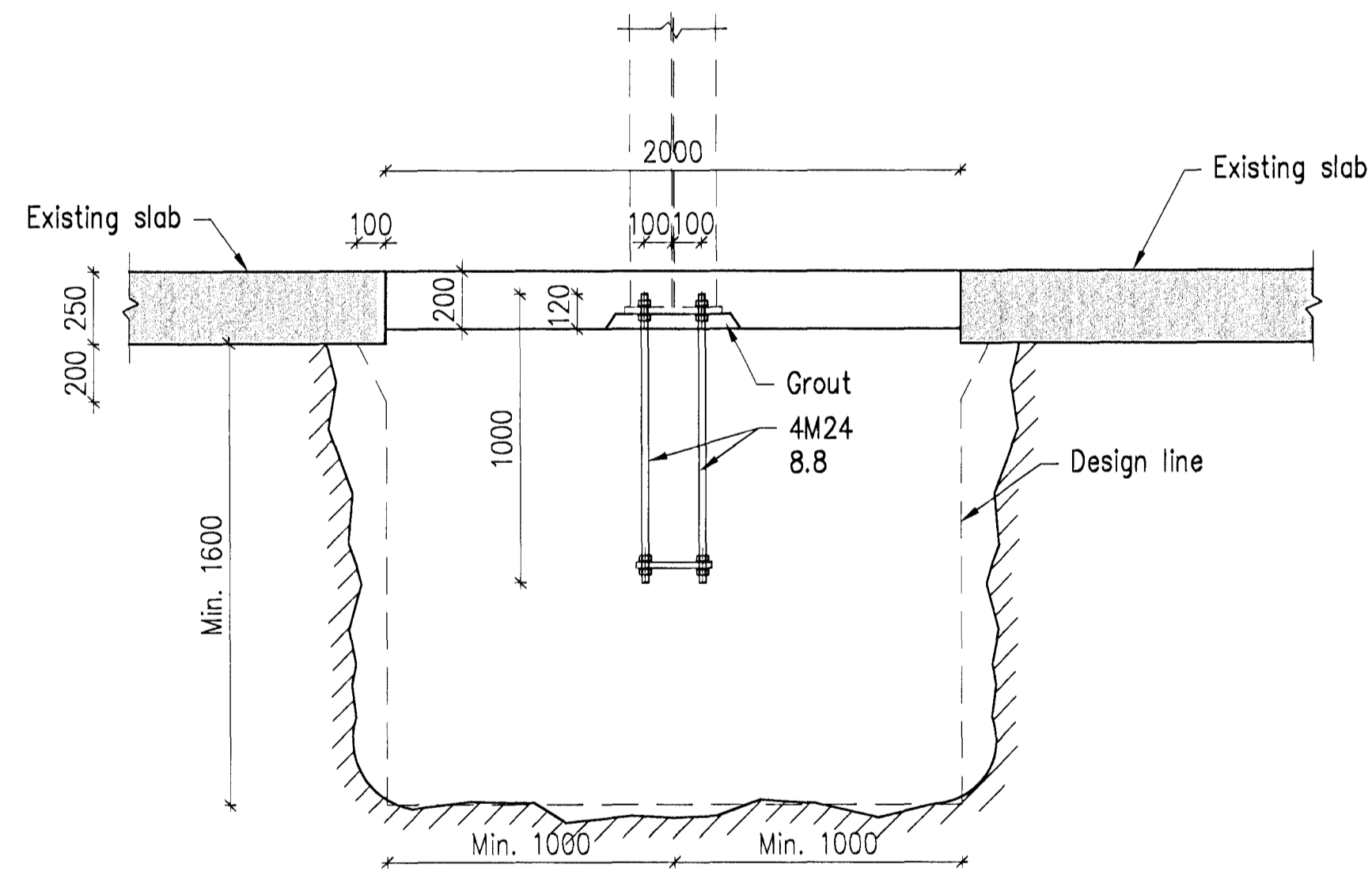
a



Samþykkt þann
19 JAN 2011
Bygginguáskilningur í Hafnarfríði
Fh. Hrólfur S. Gunnlaugsson

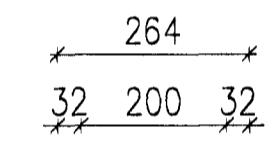
Nick Indriðsson
NI

b

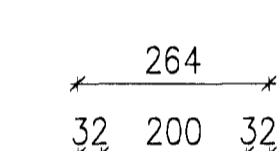


STEEL PLATES t=16 mm, 1:10

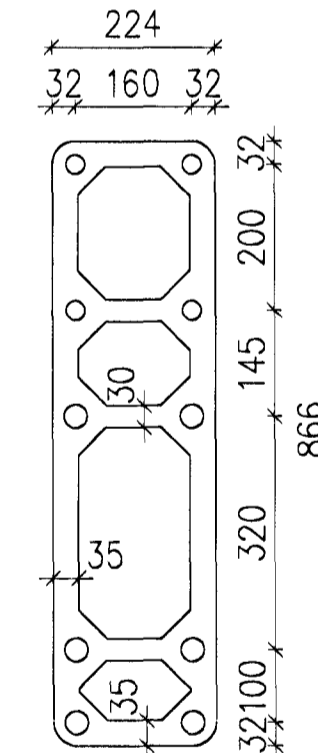
F1, F1c, F2, F2c
Holes ø26 22 pcs



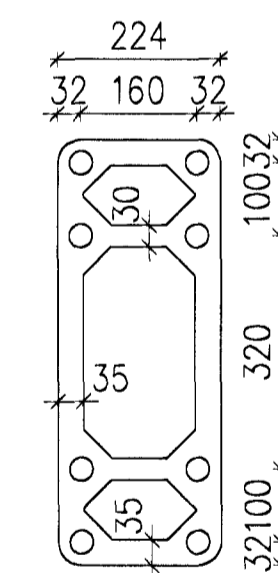
F1b, F2b
Holes ø32 6 pcs



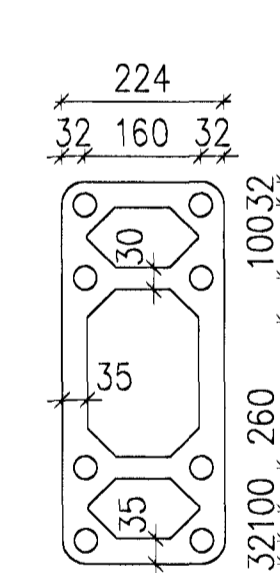
F4, F6
4 holes ø26 and
6 holes ø32
4 pcs



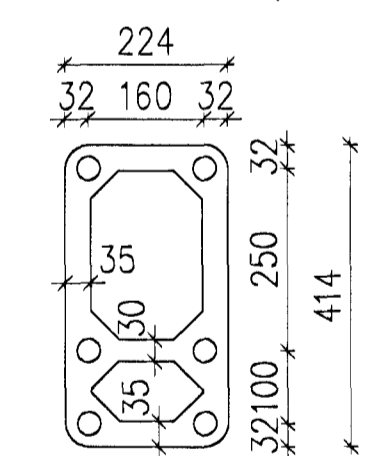
F5, F5c
Holes ø32 18 pcs



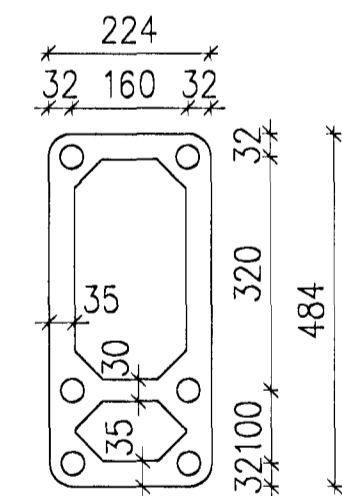
F5B
Holes ø32 1 pcs



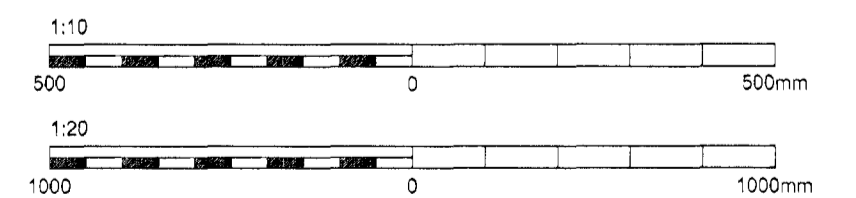
F7, F7b, F7c
Holes ø32 3 pcs



F8
Holes ø32 1 pcs



CONCRETE: C30/37:XF3-38



Skýringar:
Explanations:



This drawing is the property of the Rio Tinto Alcan Iceland Ltd. and handed out for personal use only. It may neither be copied nor made available to others without permission of the Rio Tinto Alcan Iceland Ltd. The receiver is liable for any misuse.

2	Issued for construction	10.11.24	Kjop		
Breyt. Rev.	Breyting Revision	Dagur Date	Samp. Approved	Nok. heimil. Released	
Tilv. teikningar nr. ISAL Ref. drawing no. of ISAL		Samsettn. teikningar nr. ISAL Assembly drawing no. of ISAL			

Fjöldi stúkkja Number of pieces	Hlutur Object	Atviki Item	Efni Material	Þeig. sk. Weight	totalt heild kg/þyngd	Althugasemdir Remarks
1	ICC CASTHOUSE EXTENSION BUILDINGS BUILDING 2, FORM WORK FOUNDATION F1	HRV				Stað. Form. A1 Mín. Scale 1:20/10
Tæknib. / Supplier		Tæknir. vörðg. / Drawn of supply		Breyt. / Rev.		
Tæknib. / Drawn		Yfirfarð. / Checked		Samþykkt. / Approved		
Tæknib. / Drawn		Yfirfarð. / Checked		Samþykkt. / Approved		