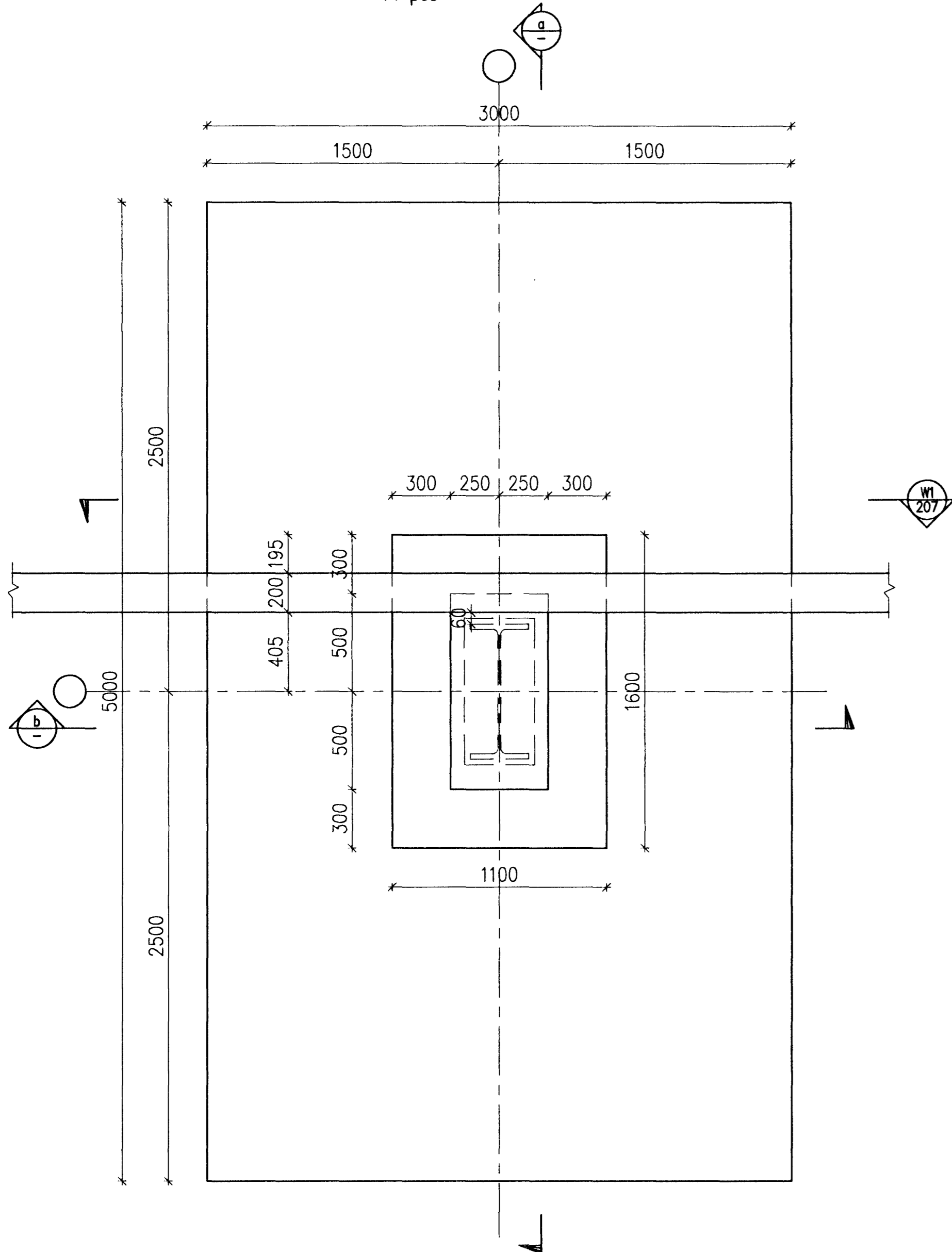
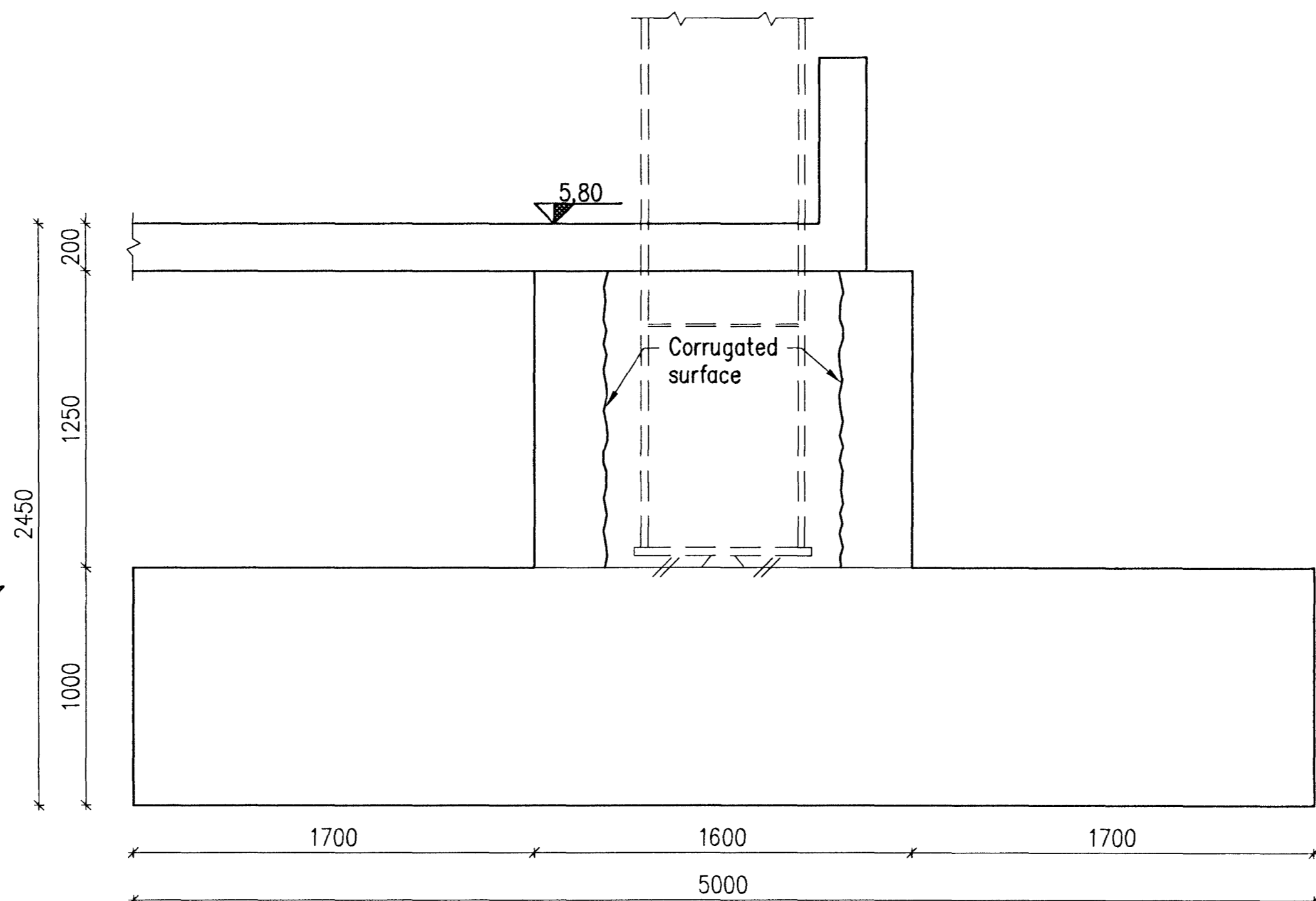


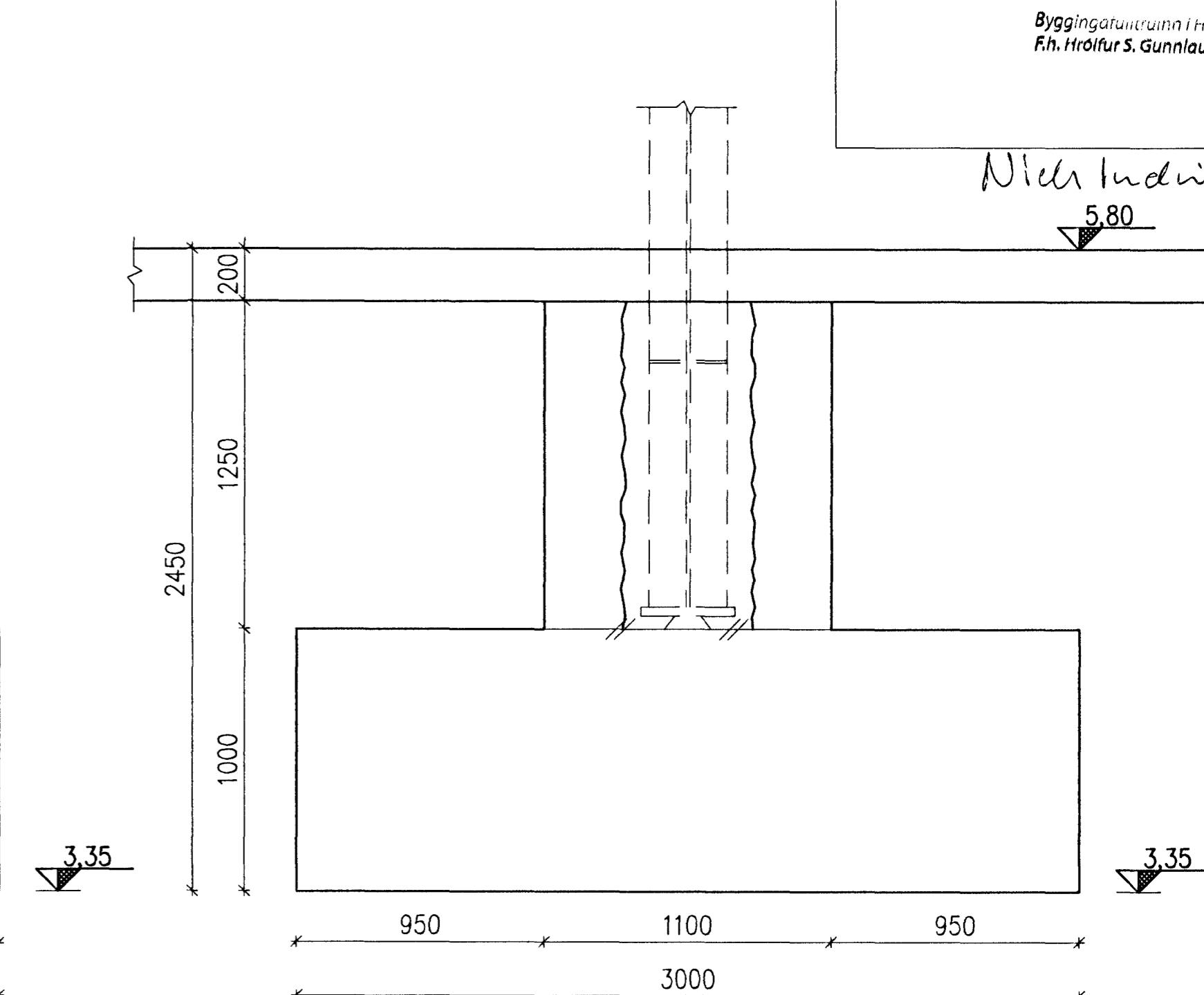
FOUNDATION F3
14 pcs



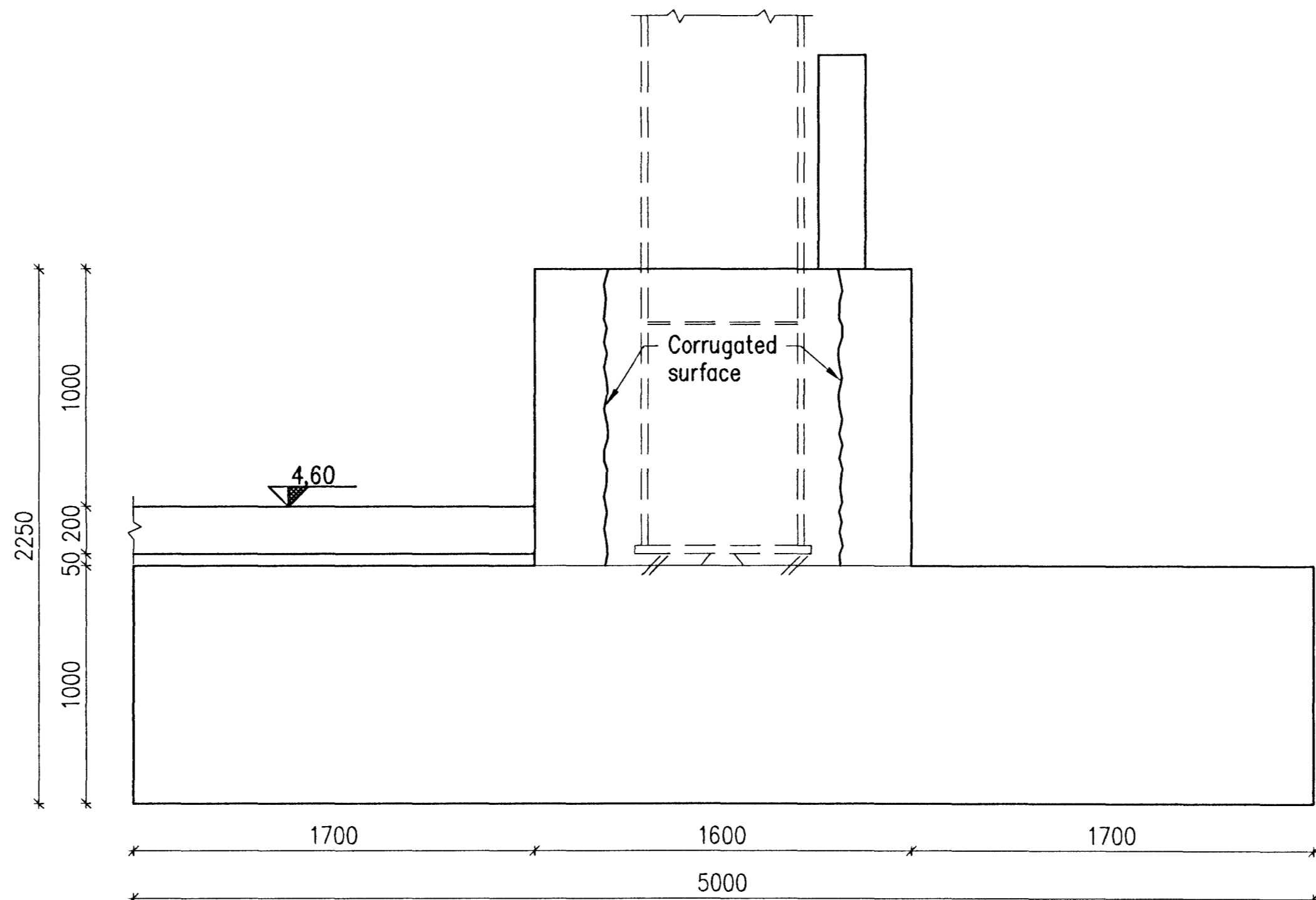
a in grid 2-9,15,16



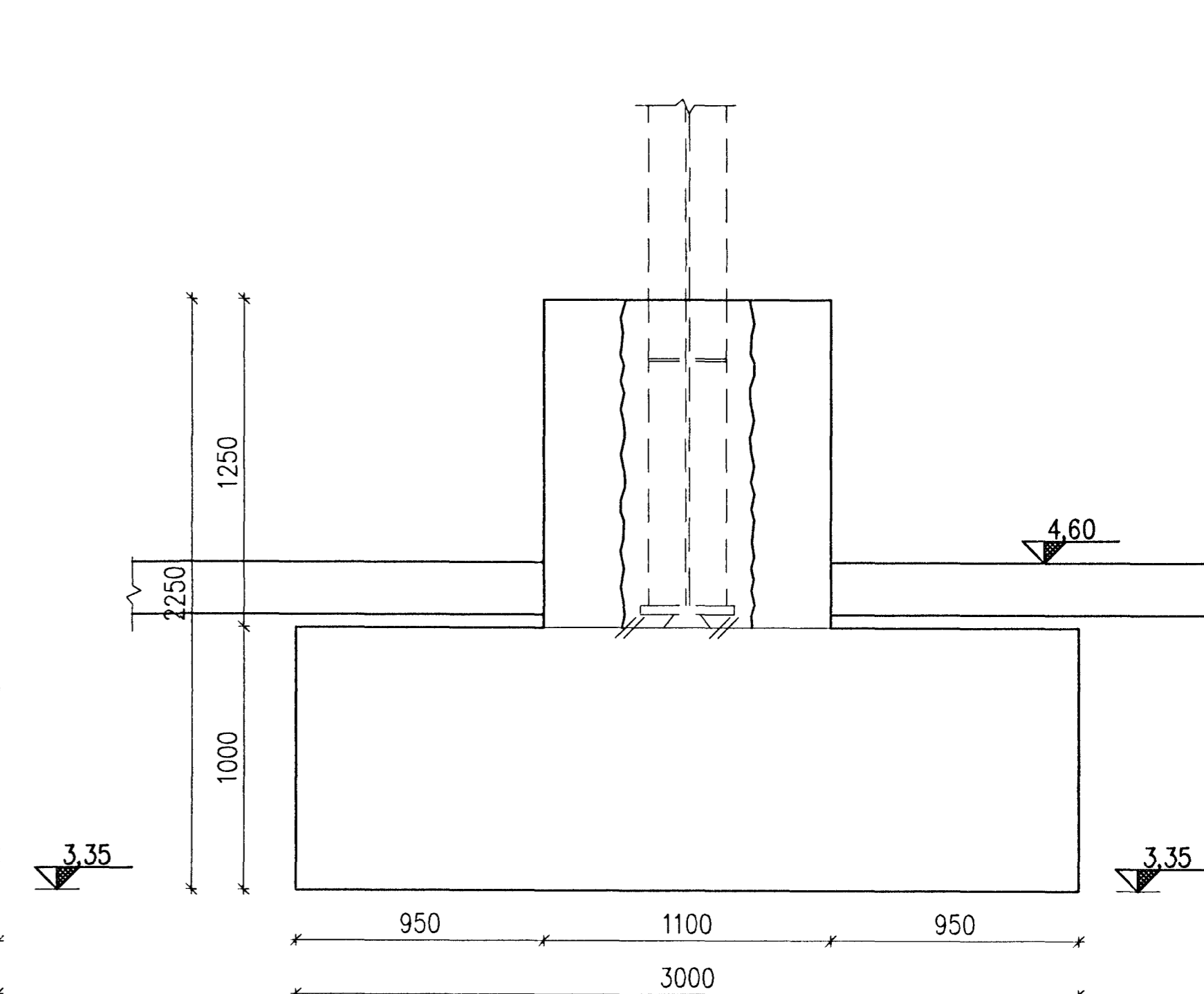
b in grid 2-9,15,16



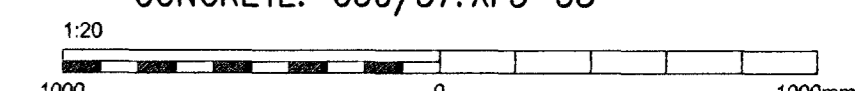
a in grid 10-13



b in grid 10-13



CONCRETE: C30/37; XF3-38



Samþykkt þann
19 JAN 2011
Byggingafræðingur / Hafnarfrófi
Eh. Hrólfur S. Gunnlaugsson

Nich Indriðsson
W1

Skýringar:
Explanations:



This drawing is the property of the Rio Tinto Alcan Iceland Ltd. and handed out for personal use only. It may neither be copied nor made available to others without permission of the Rio Tinto Alcan Iceland Ltd. The receiver is liable for any misuse.

| Fjöldi stúkkja Number of pieces | | Hlutur Object | Atriði Item | Efni Material | ea.:stí Weight (kg) | total: f. heild bygnd | Athugasemdir Remarks |
|------------------------------------|----|--|----------------|------------------|------------------------|--------------------------|---|
| IV | 14 | ICC CASTHOUSE EXTENSION BUILDINGS BUILDING 2, FORM WORK FOUNDATION F3 | | | | | Starð Format A1 |
| | | | | | | | Mik. Scale 1:20 |
| | | | | | | | Kostnir--búnr. / Ccno.-Eq.no. |
| | | | | | | | AKS no. |
| | | | | | | | Teknir. vertika / Drawn. of suppl./Bret./Rev. |
| | | | | | | | ICC-611-CA-518-206 C |
| | | | | | | | Samþykkt Approved NI |
| | | | | | | | Dr.no. of ISAL / Teknir. ISAL |
| | | | | | | | Bret./Rev. |
| | | | | | | | Notkun heimilub Released |