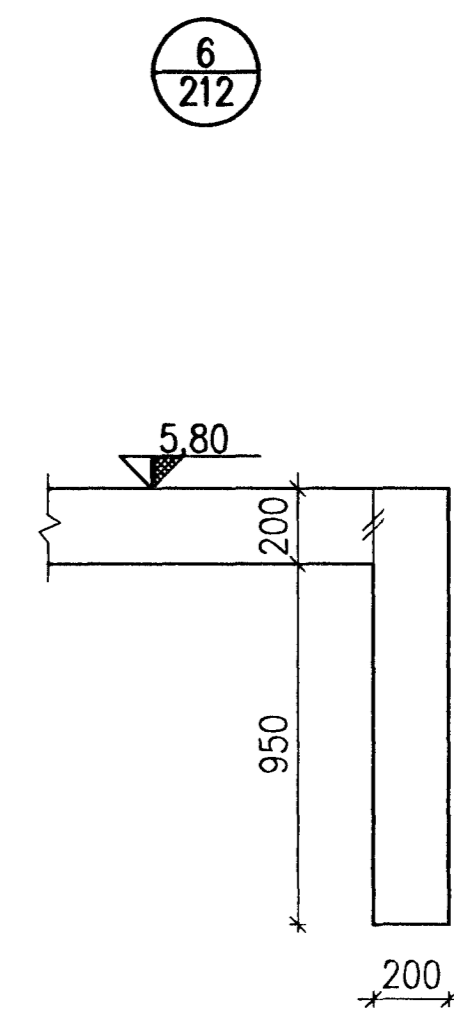
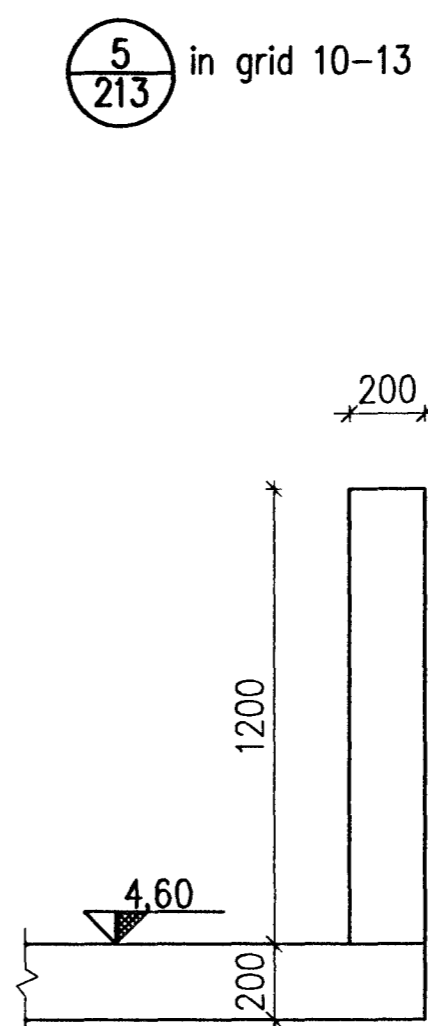
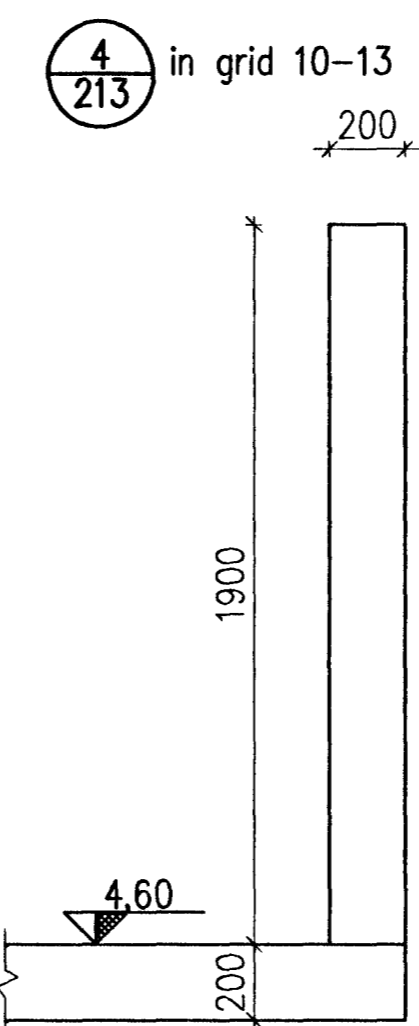
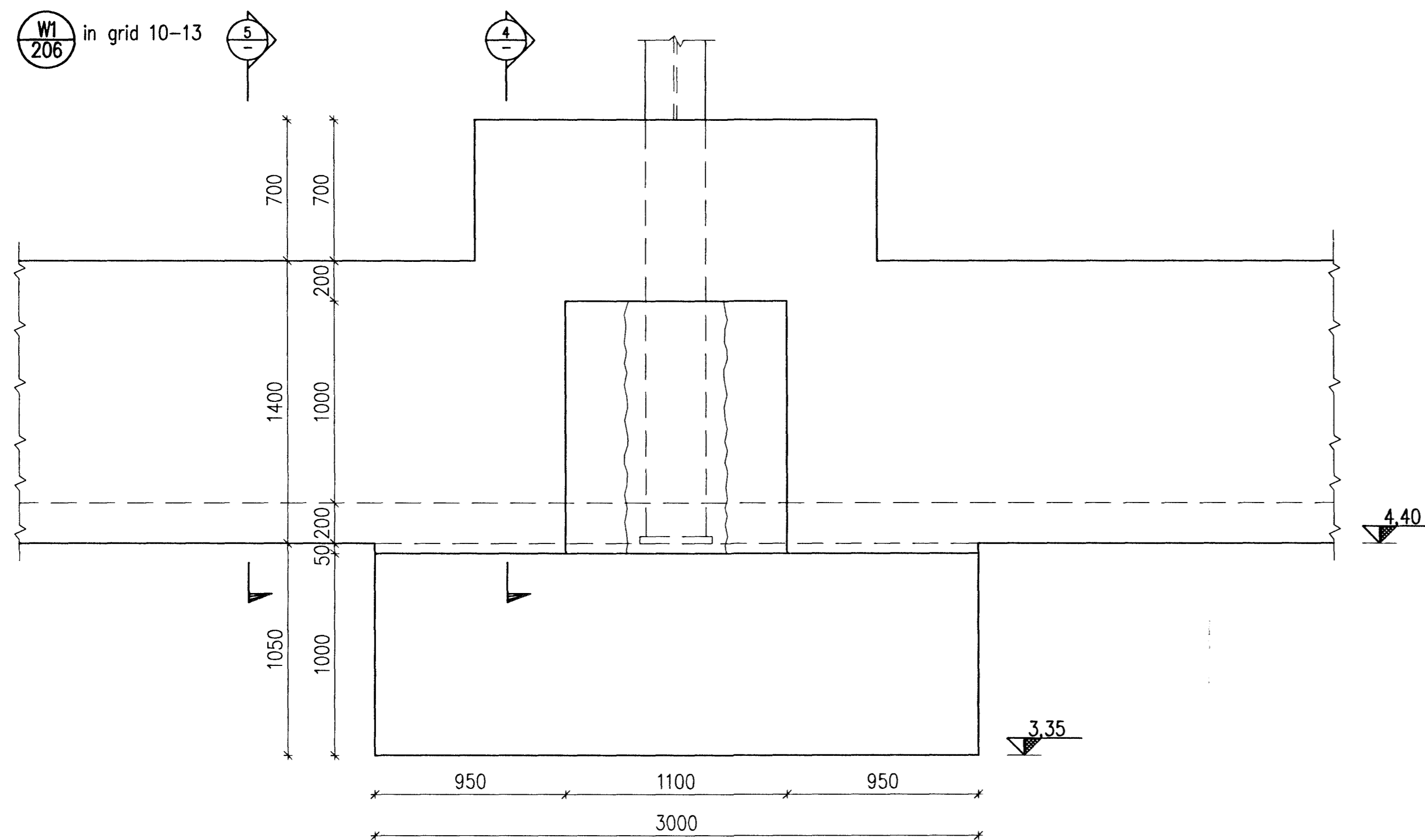
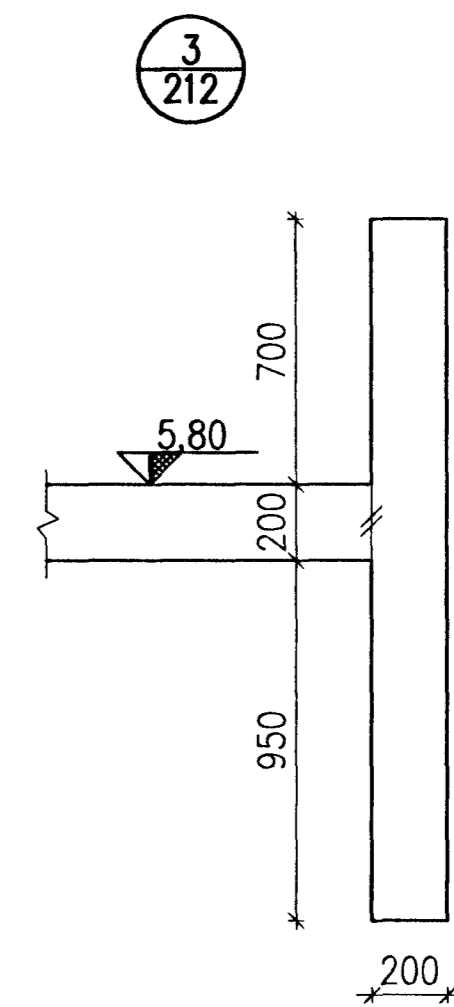
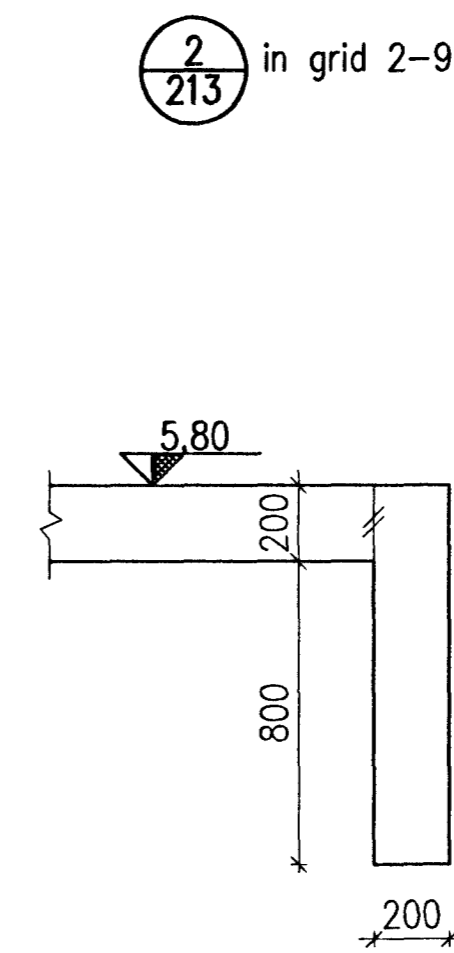
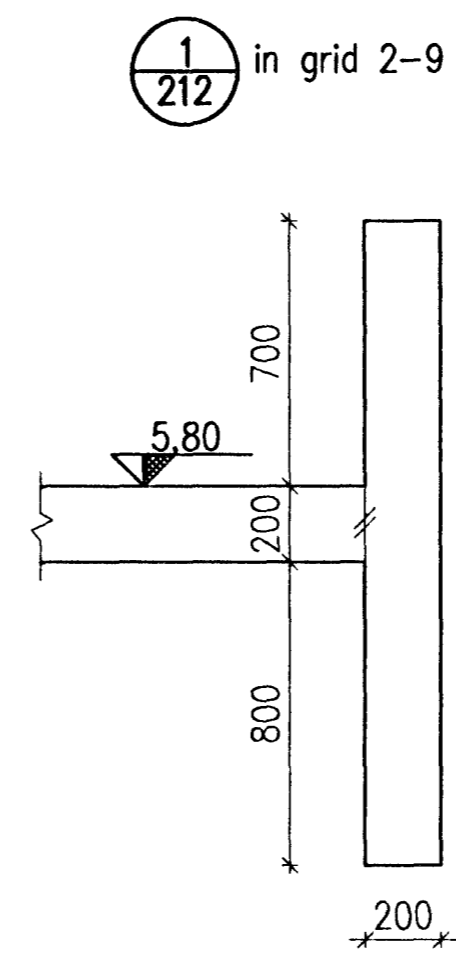
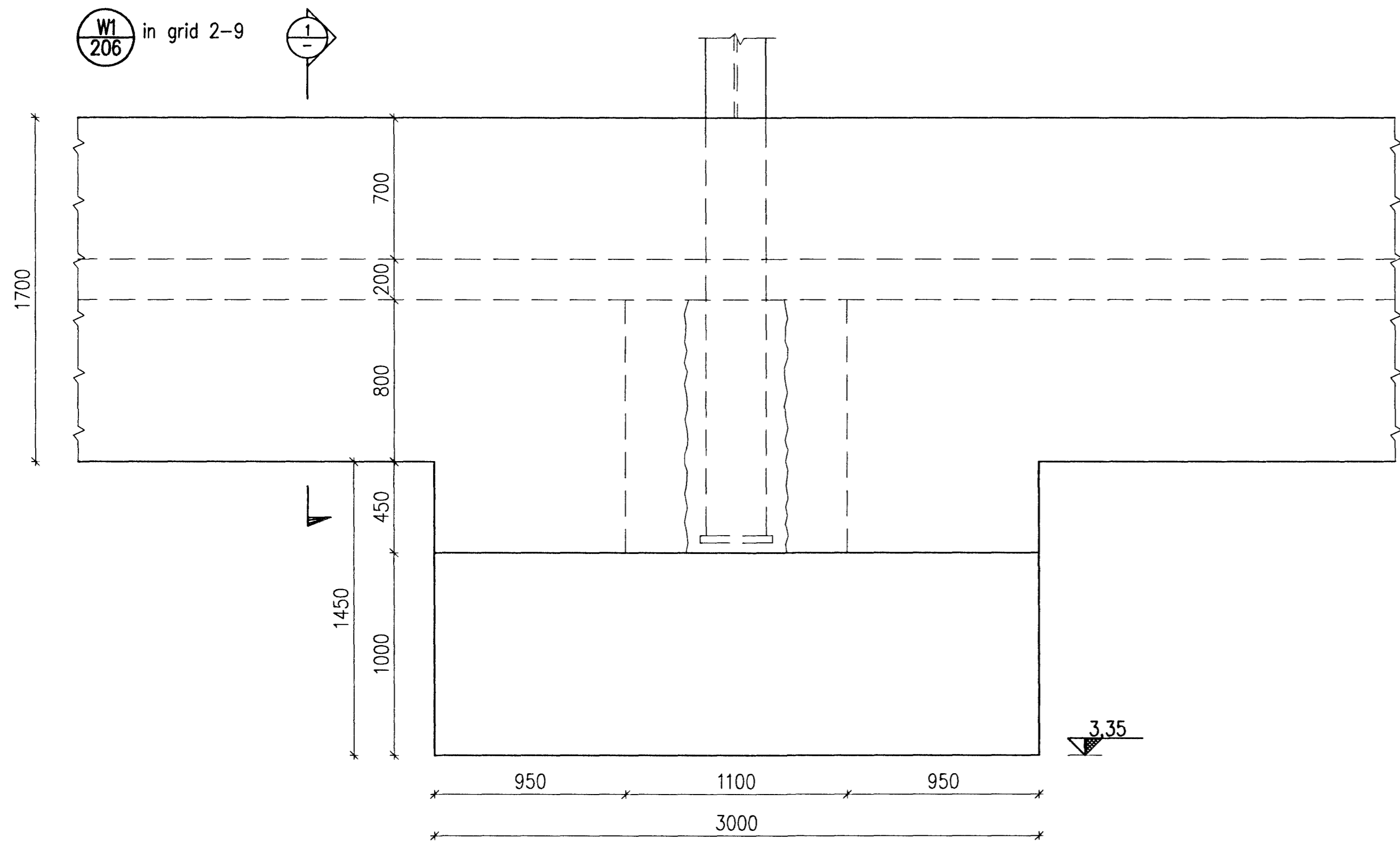
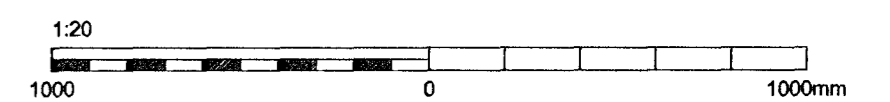


Samþykkt þann
 19 JAN 2011
 Bygginguáttunn / Hafnarfrófi
 F.h. Fródur S. Gunnlaugsson

Nick Indúðsson
 NI



CONCRETE: C30/37:XF3-38



Skýringar:
 Explanations:



This drawing is the property of the Rio Tinto Alcan Iceland Ltd. and handed out for personal use only. It may neither be copied nor made available to others without permission of the Rio Tinto Alcan Iceland Ltd. The receiver is liable for any misuse.

Fjöldi stykja Number of pieces	Hlutur Object	Altrið Item	Efni Material	eo.stk Weight	totalt held (kg) bygnd	Athugasemdir Remarks
IV III II I	ICC CASTHOUSE EXTENSION BUILDINGS BUILDING 2, FORM WORK FOUNDATION F3/BOTTOM SLAB/WALL				Stærð Format A1	Mkv. Scale 1:20
						Kostn.nr.-bón.nr. / COno-Eq.no.
						AKS no.
						Tekn.nr. verkefni / Dre.no. of supp] Breyt./Rev.
						ICC-611-CA-518-207 C
						verktak / Supplier
						HRV
						Teknað Drawn
						HS/AFV 2010.11.01
						Yfirfarð Checked
						NI
						Samþykkt Approved
						/J I
						ISAL
						Dra.no. of ISAL / Tekn.nr. ISAL
						Breyt./Rev.
						ISAL
						Strásmark Alcan Iceland Ltd IS-222 Hafnarvegur
						Teknað Drawn
						Yfirfarð og síðað Checked and filed
						Núkur heimilub Released

Breyt. Rev.	Issued for construction	Dags Date	Samþ. Approved	Nokk. heimil. Released
2		10.11.24	Kgs	