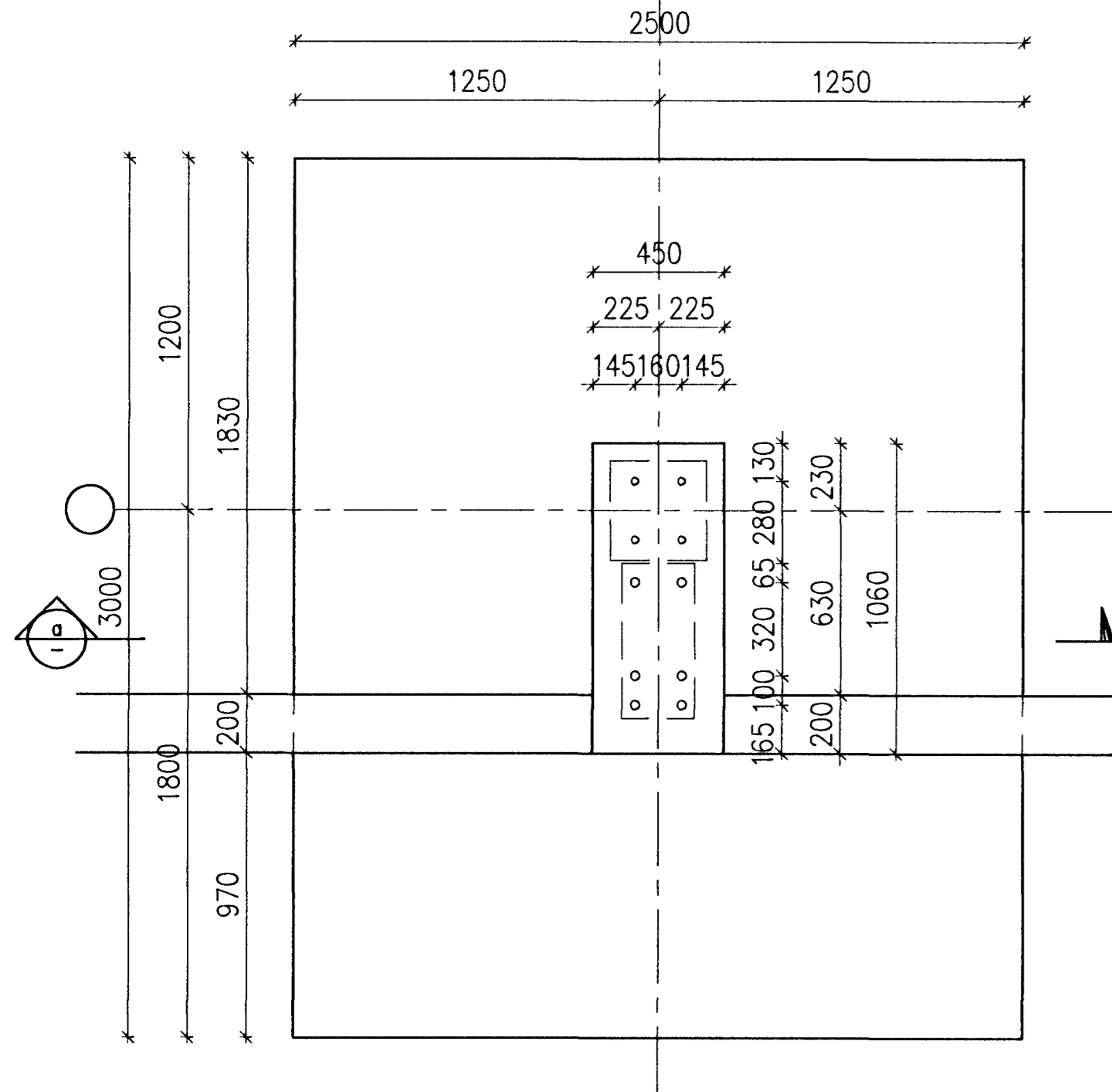
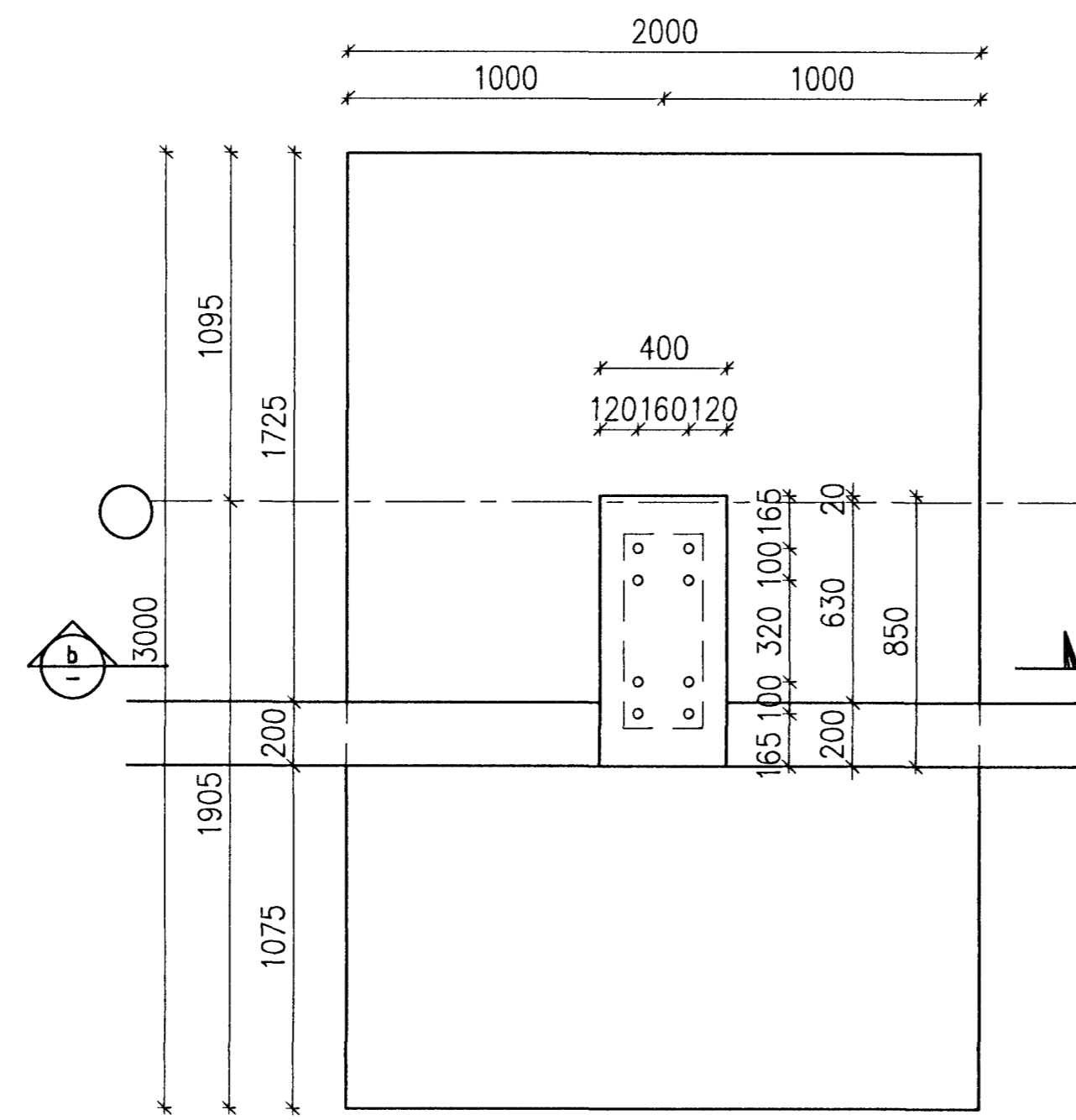


Nick Induráson  
NI

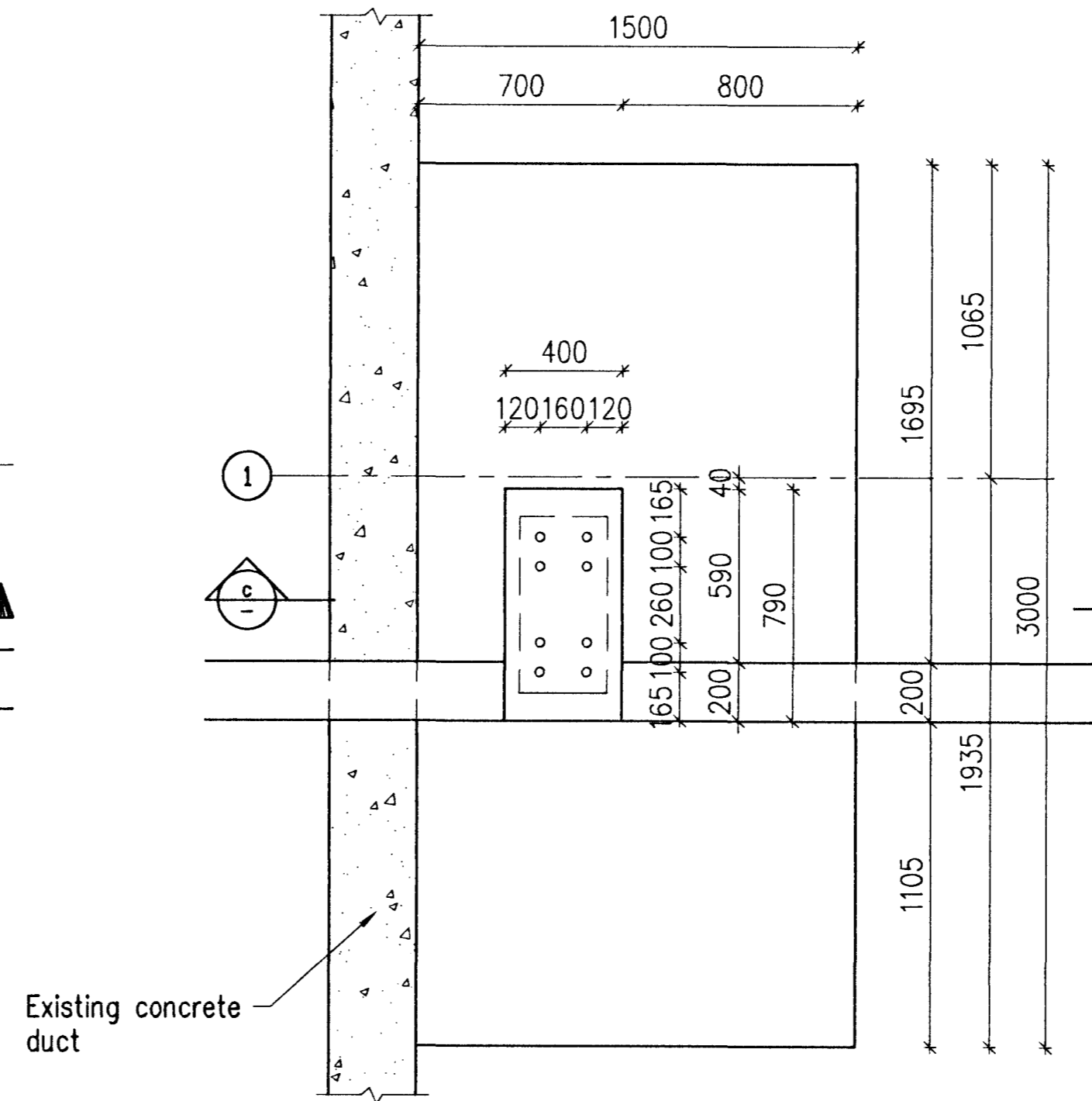
**FOUNDATION F4**  
2 pcs



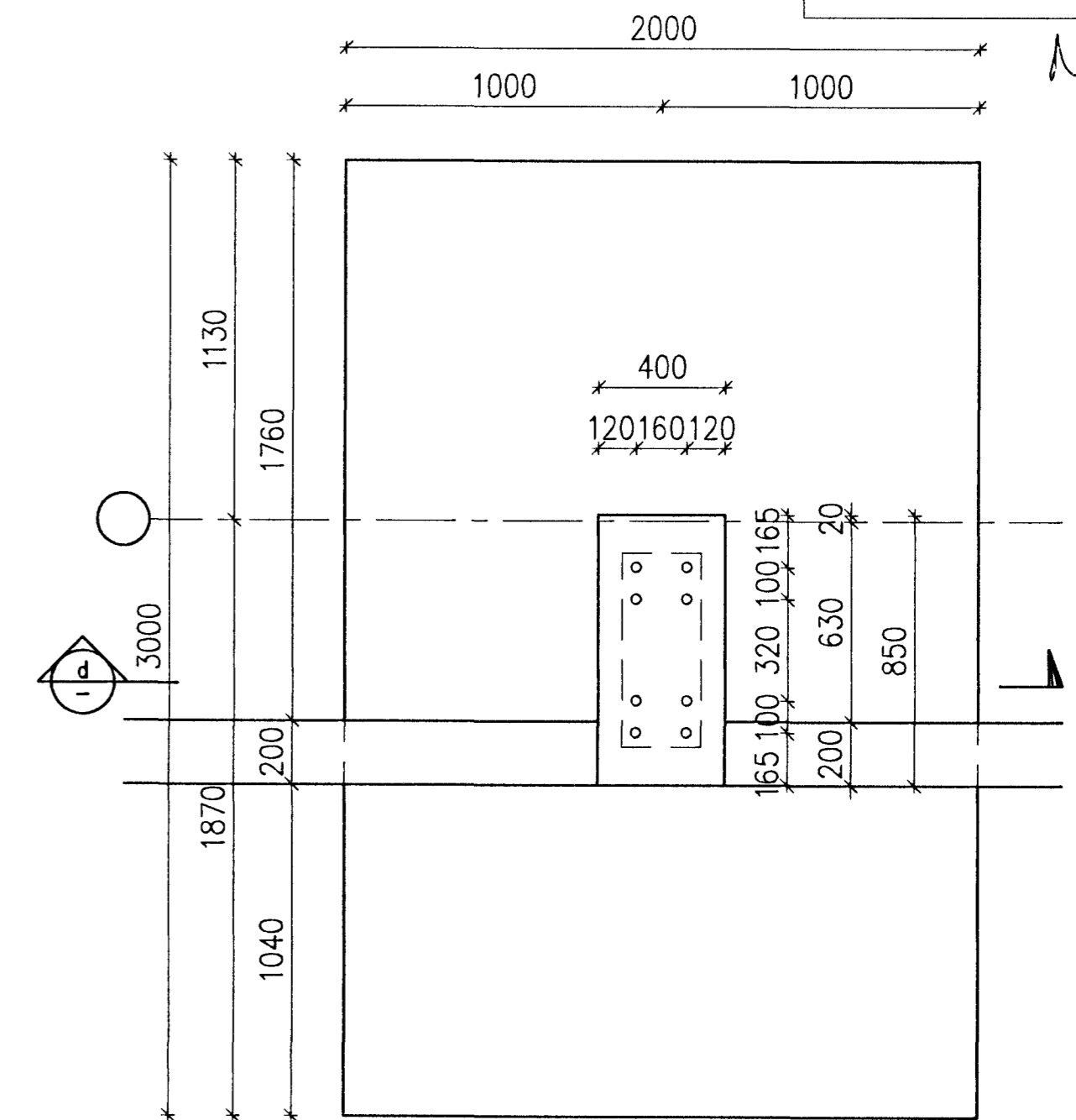
**FOUNDATION F5**  
16 pcs



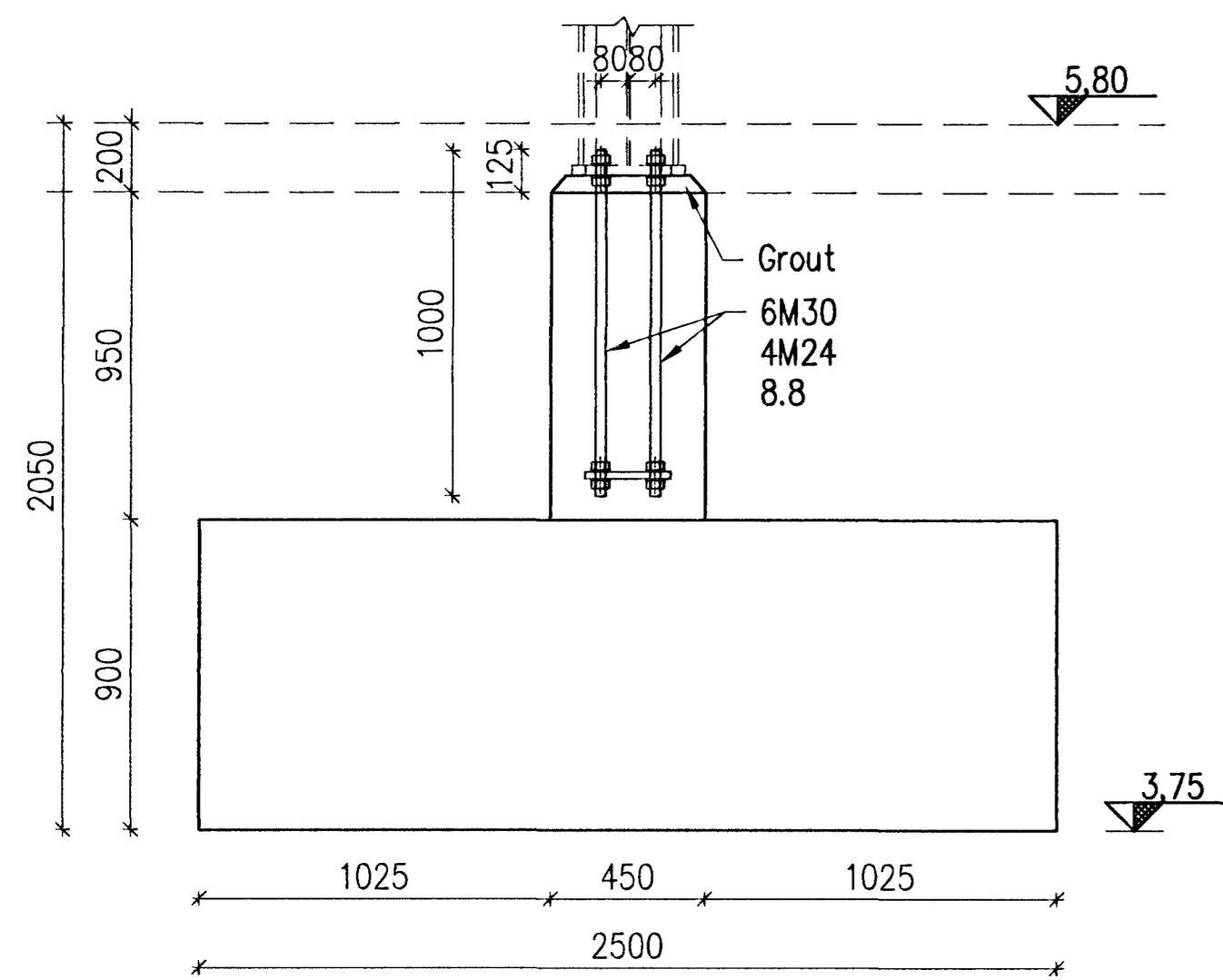
**FOUNDATION F5b**  
1 pcs



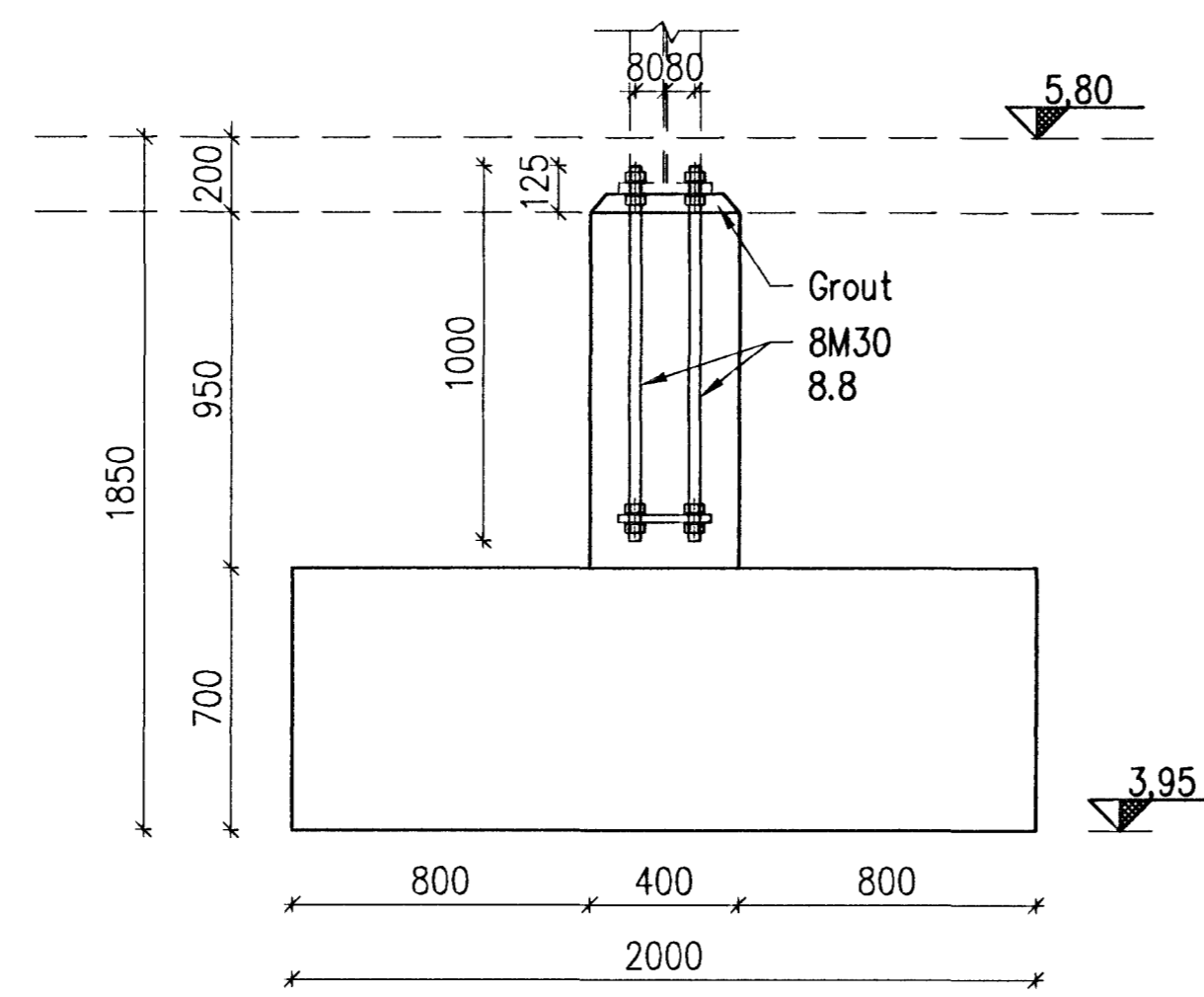
**FOUNDATION F5c**  
2 pcs



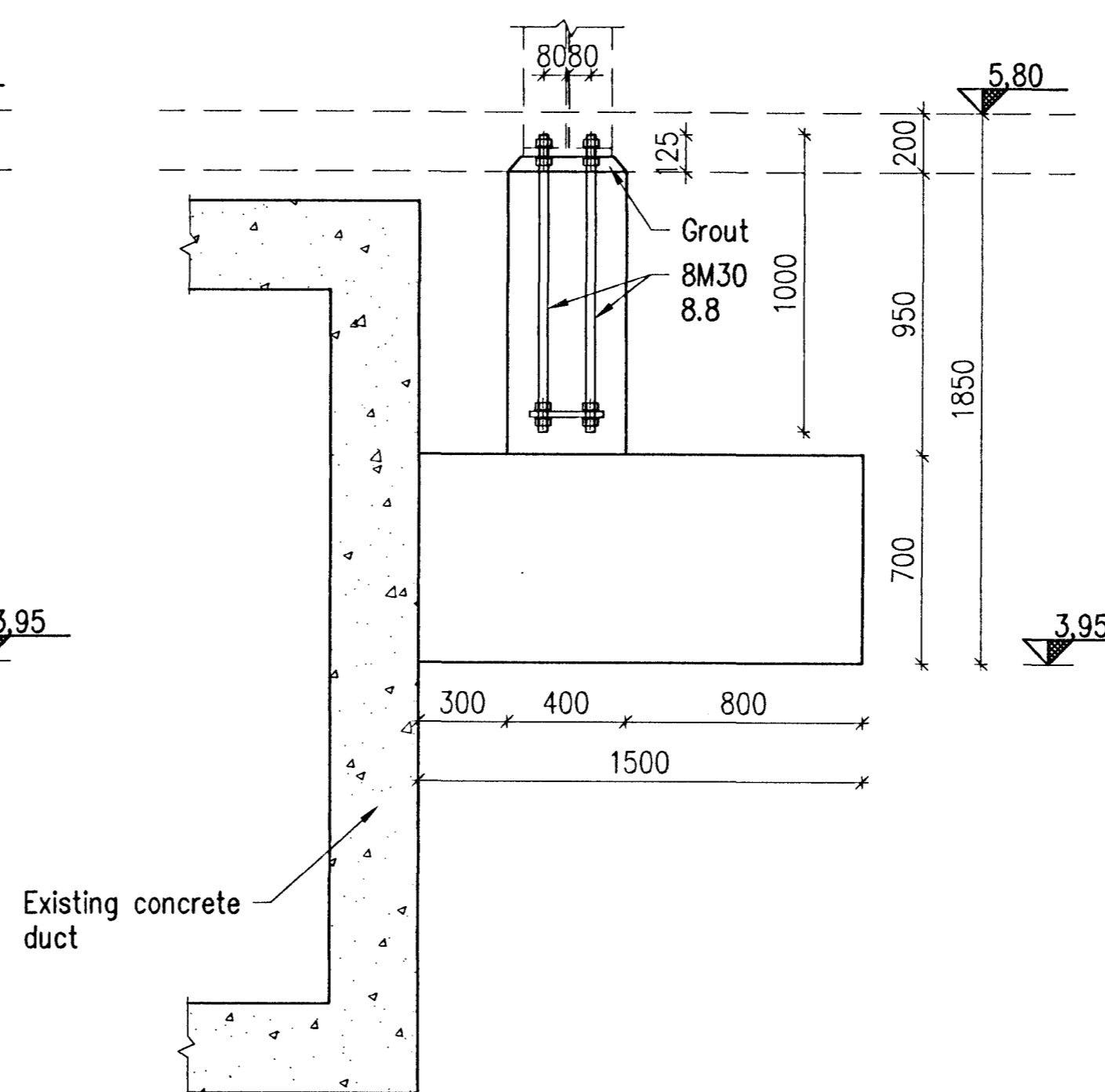
**a**



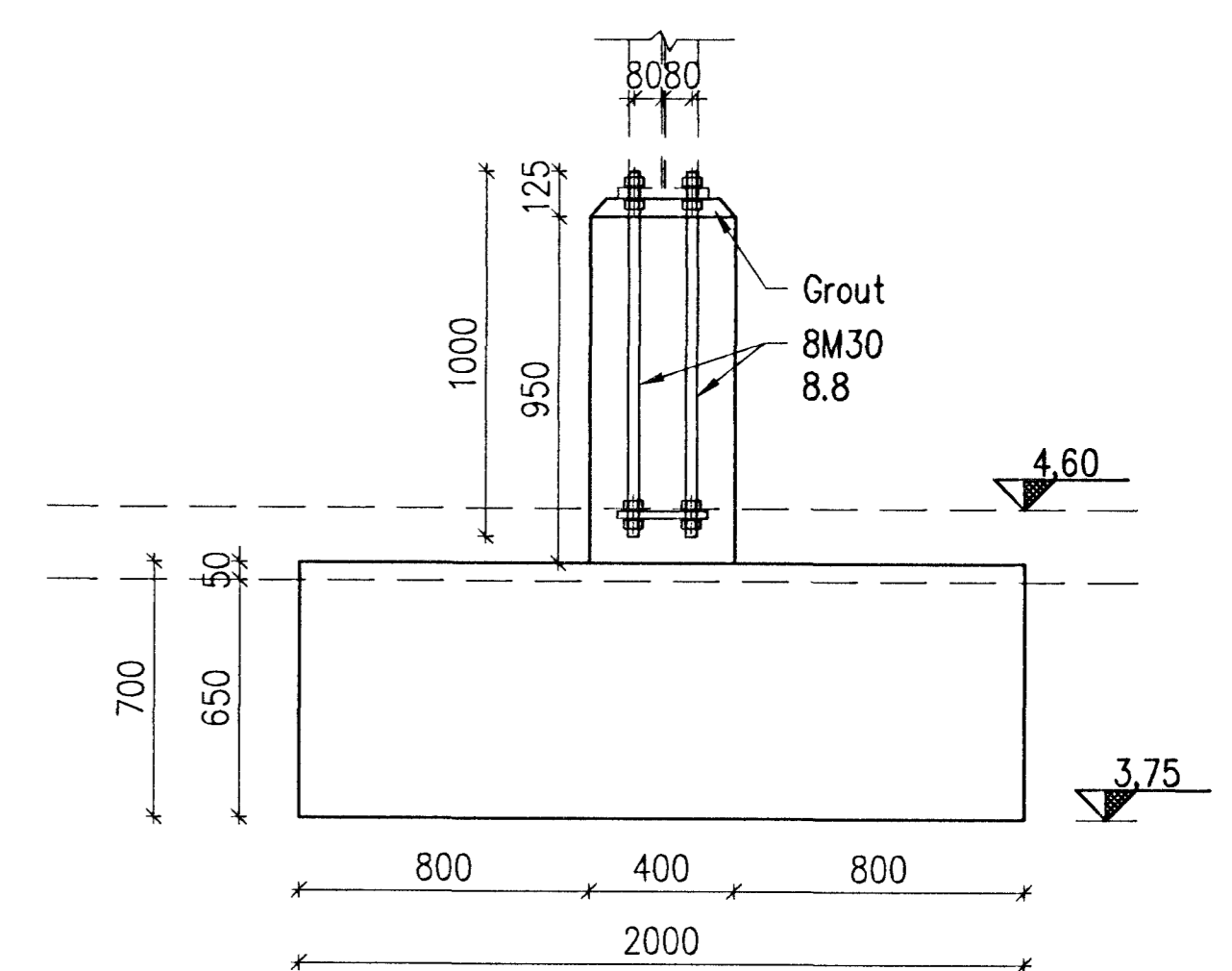
**b**



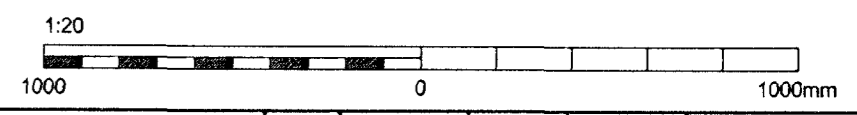
**c**



**d**



CONCRETE: C30/37:XF3-38



Skýringar:  
Explanations:



This drawing is the property of the Rio Tinto Alcan Iceland Ltd. and handed out for personal use only. It may neither be copied nor made available to others without permission of the Rio Tinto Alcan Iceland Ltd. The receiver is liable for any misuse.

| Fjöldi stykja<br>Number of pieces | Hlutur<br>Object  | Atriði<br>Item    | Efni<br>Material                         | sg. stik<br>Weight (kg) | total f. heild<br>total weight | Athugasemdir<br>Remarks  |
|-----------------------------------|---|-------------------|--|-------------------------|--------------------------------|--|
| IV III I I I                      | ICC<br>CASTHOUSE EXTENSION BUILDINGS<br>BUILDING 2, FORM WORK<br>FOUNDATIONS F4, F5 AND F5b |                   |  |                         |                                | Stærð<br>Format<br>A1<br>Mkv.<br>Scale<br>1:20<br>Kostnaður-áætlun /<br>Cost-est. /<br>Draunúmer /<br>Drawing no.<br>ACC-611-CA-518-208<br>C |
|                                   | Vertikal /<br>Supplier  | HRV               |  |                         |                                | Tekjur /<br>Drawn<br>ICC-611-CA-518-208<br>C   |
|                                   | Teknað /<br>Drawn   | HS/AFV 2010.11.01 | Yfirfarð /<br>Checked                    | NI                      |                                | Samb. /<br>Approved<br>NI  |
|                                   | Teknað /<br>Drawn   |                   | Yfirfarð og skilð /<br>Checked and filed |                         |                                | Notkun /<br>Released   |