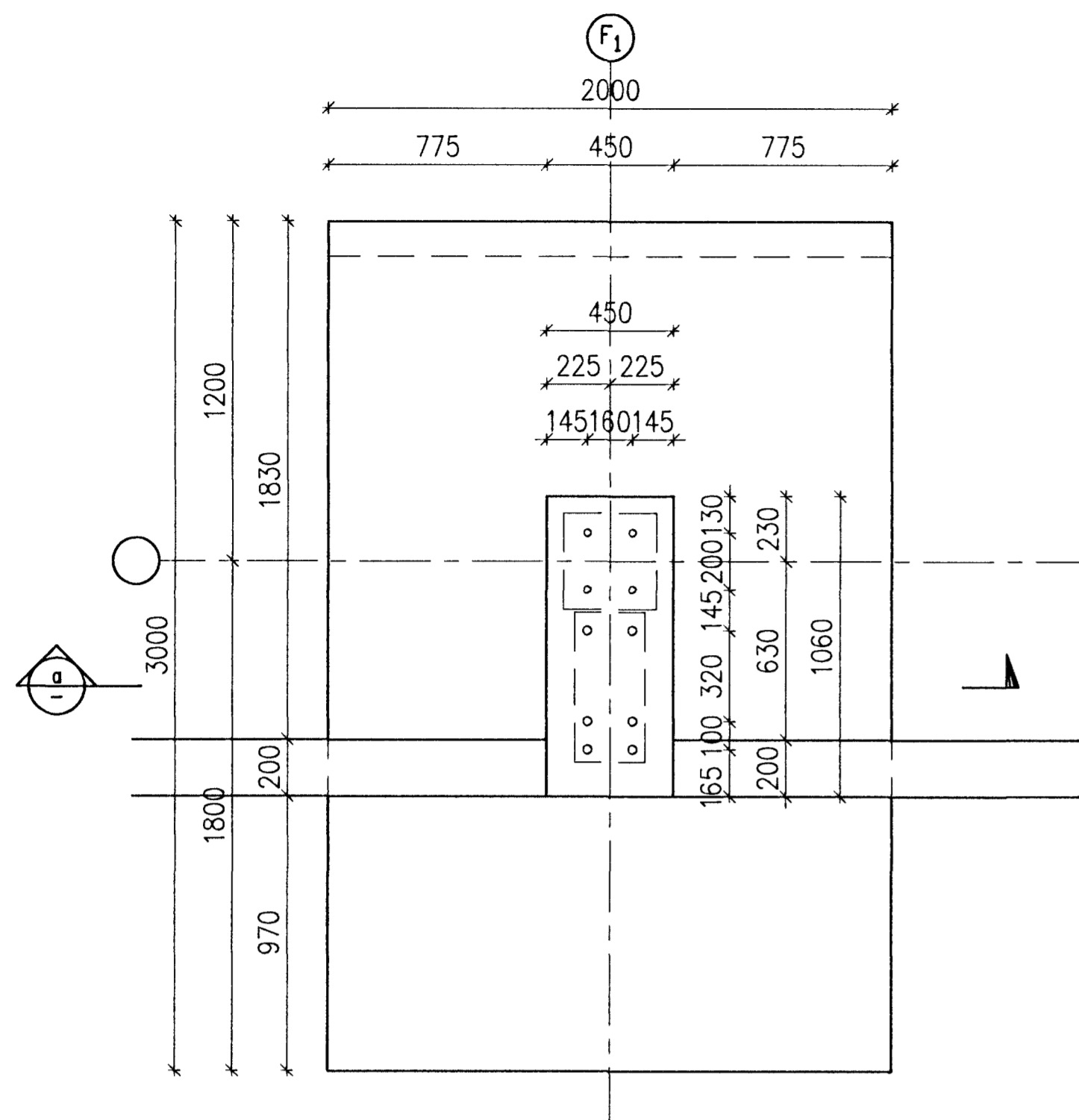


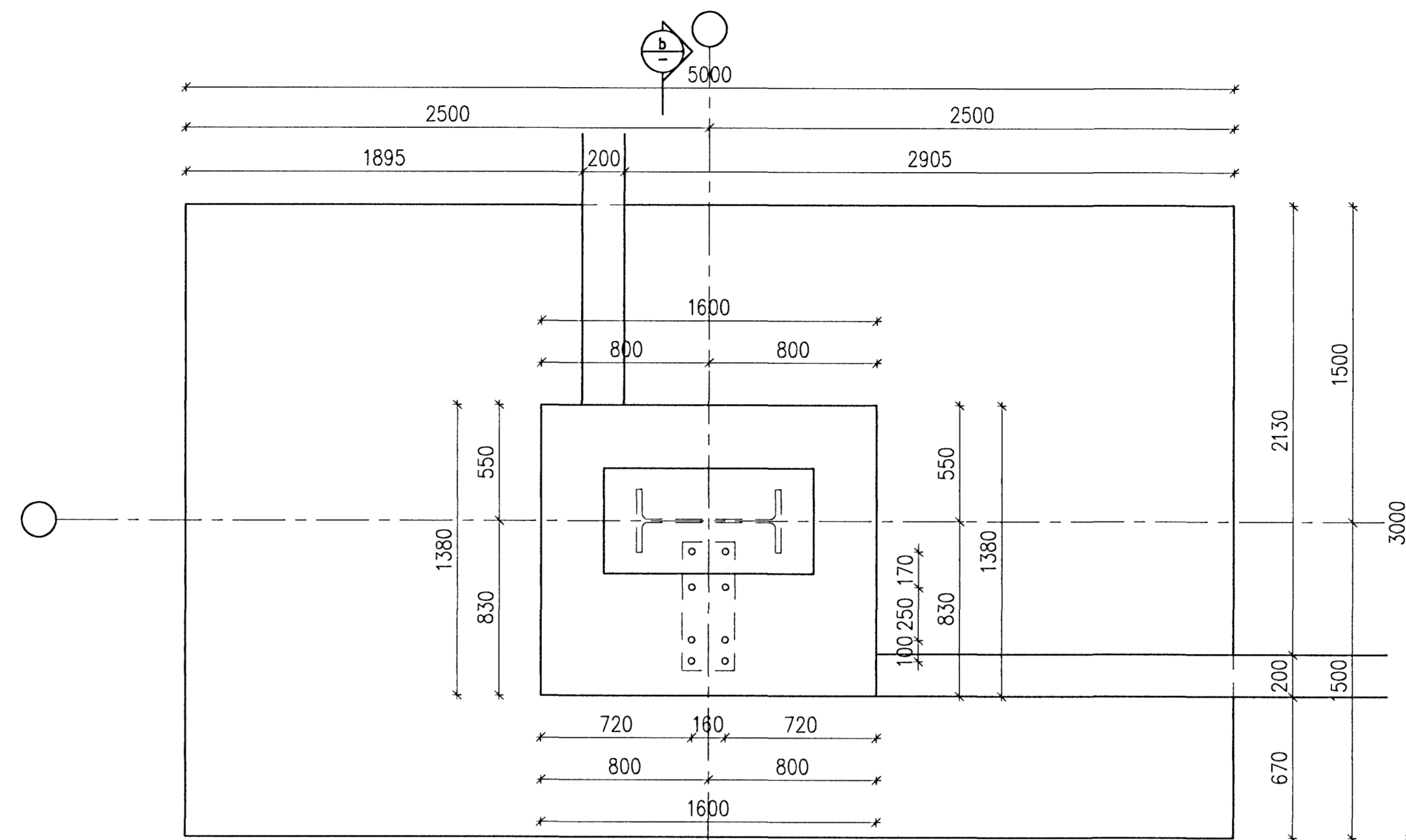
FOUNDATION F6

2 pcs



FOUNDATION F7

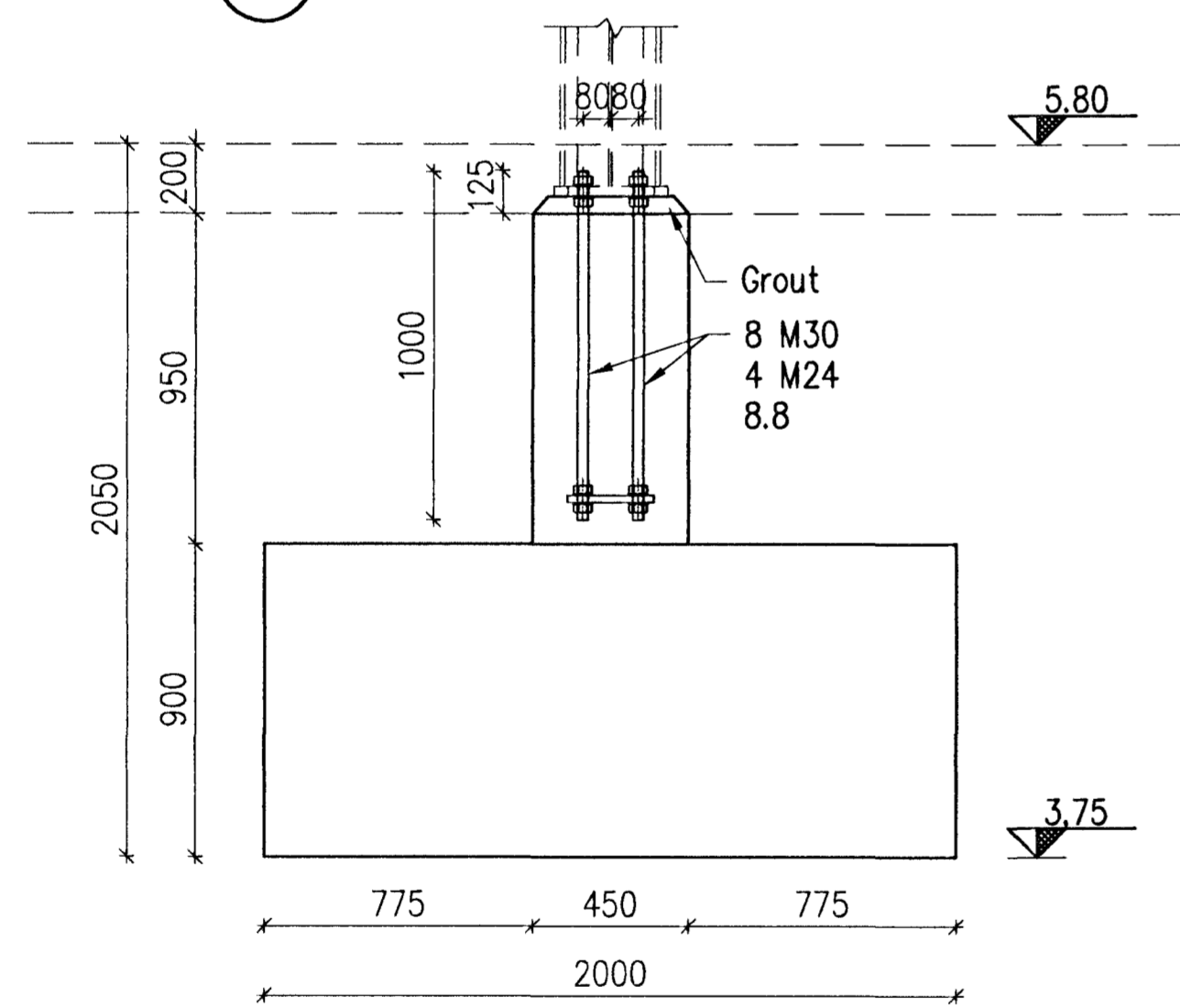
1 pcs



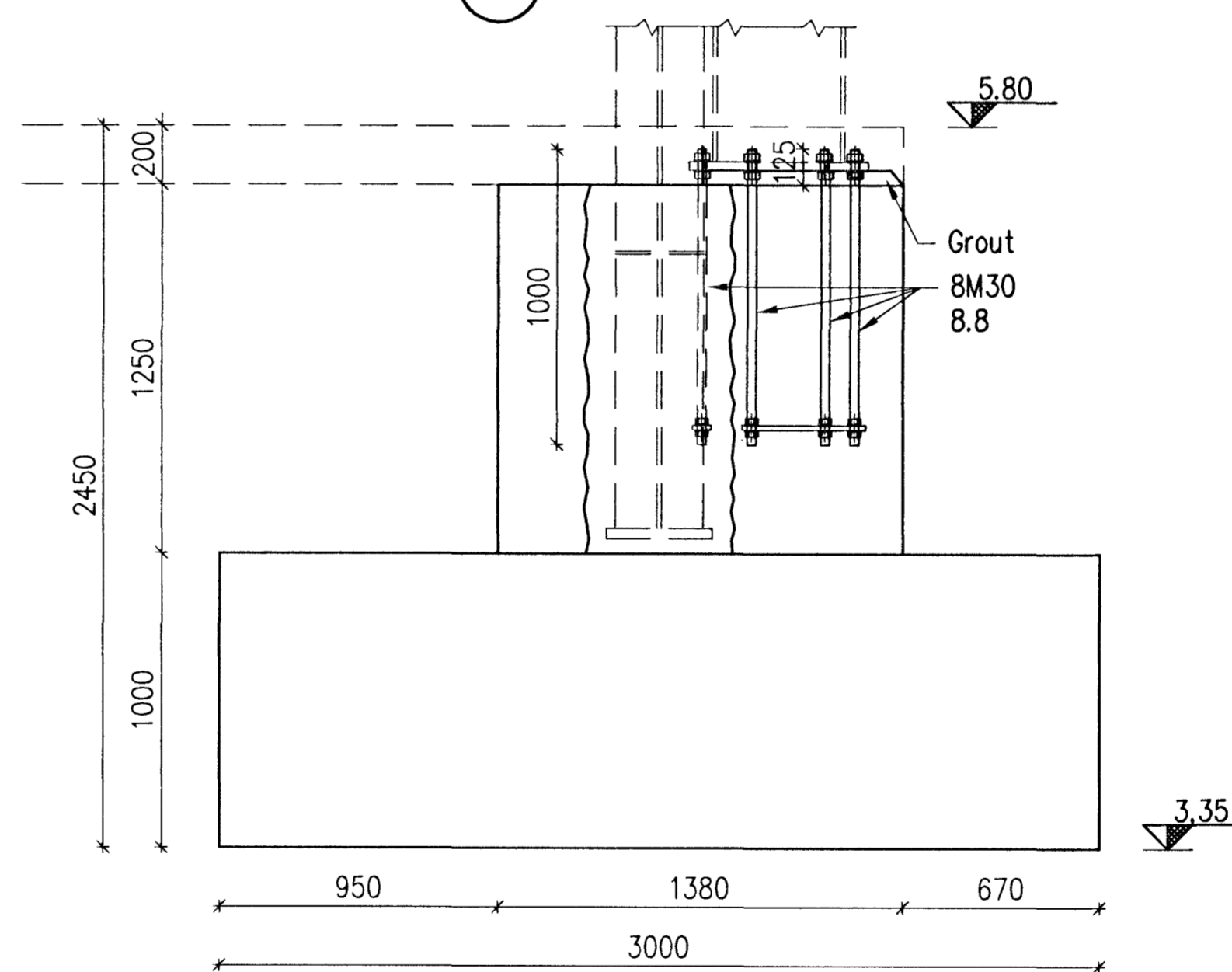
Samþykkt þann
19 JAN 2011
Byggingafræðistúðinn í Hafnarfirði
F.A. Hrófur S. Gunnlaugsson

Nick Indriðason
NI

10



b



FOUNDATION F7b
1 pcs is a mirror of F7

FOUNDATION F7c
1 pcs is a mirror of F7
and the bottom slab is lower
as in F3, grid 10-13

CONCRETE: C30/37:XF3-38



Skýringar:
Explanations:



This drawing is the property of the Rio Tinto Alcan Iceland Ltd and handed out for personal use only. It may neither be copied nor made available to others without permission of the Rio Tinto Alcan Iceland Ltd. The receiver is liable for any misuse.

Fjöldi stykkja Number of pieces	Hlutur Object	Atr-Ni Item	Efni Material	sg.stk Weight	total í heild Total weight	Althugasemdir Remarks
IV III II I	ICC CASTHOUSE EXTENSION BUILDINGS BUILDING 2, FORM WORK FOUNDATIONS F6 AND F7					Stærð Format A1 Mkv. Scale 1:20 Kostnaður-áætlun / Cost-est. / CCNo-Eq.no.
	veitsla / Supplier	HRV				Teknafr. vertika / Drawn of supply ICC-611-CA-518-209 C
	Teknafr. Drögn Drawn	HS/AFV 2010.11.01	Yfirráð Checked	NI		Samþykkt Approved NI
	Teknafr. Drögn Drawn		Yfirráð og þekkt Checked and freed			Staðafr. Drögn / Drawn of ISAL / Teknafr. ISAL / Breyt./Rev.