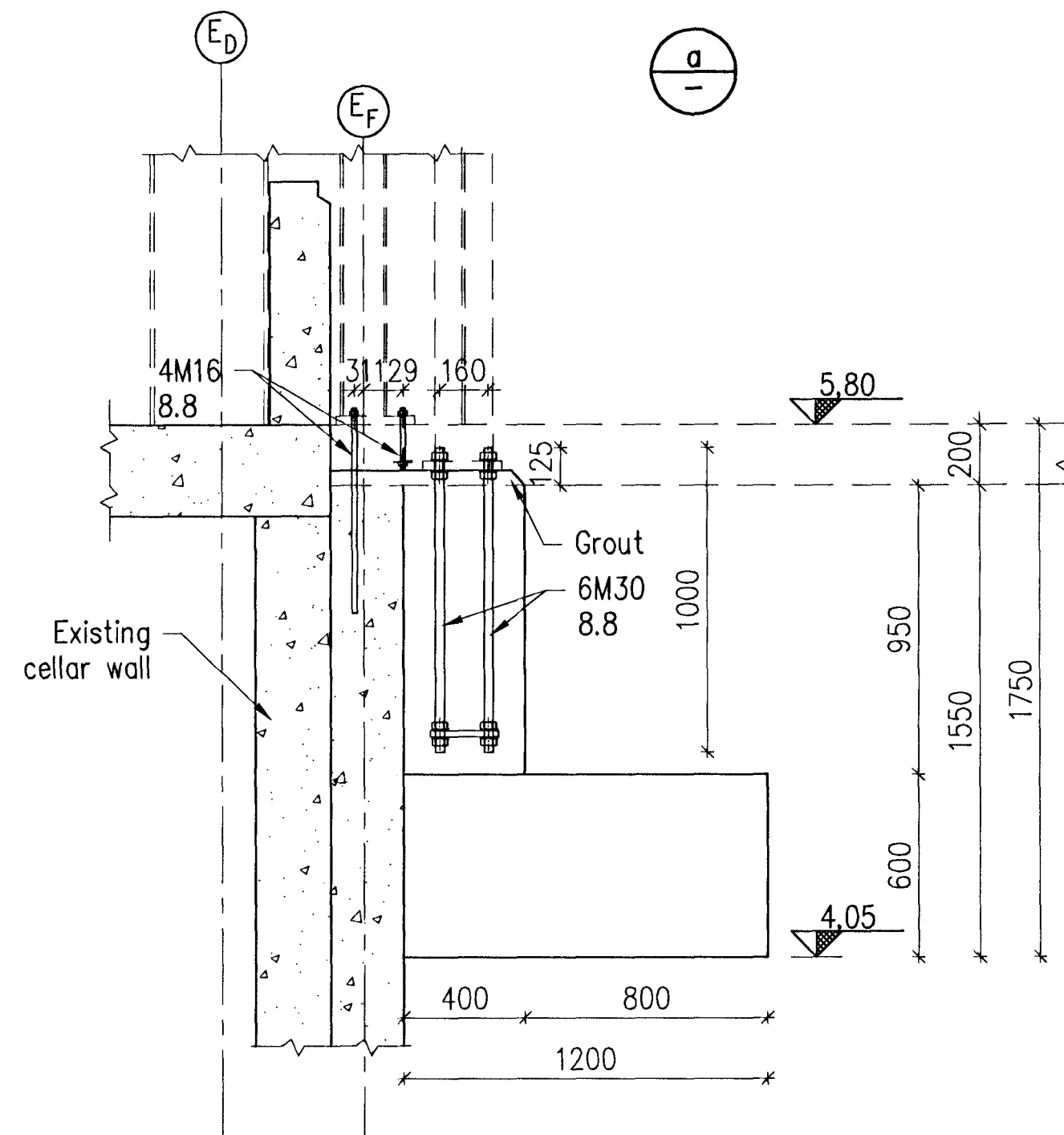
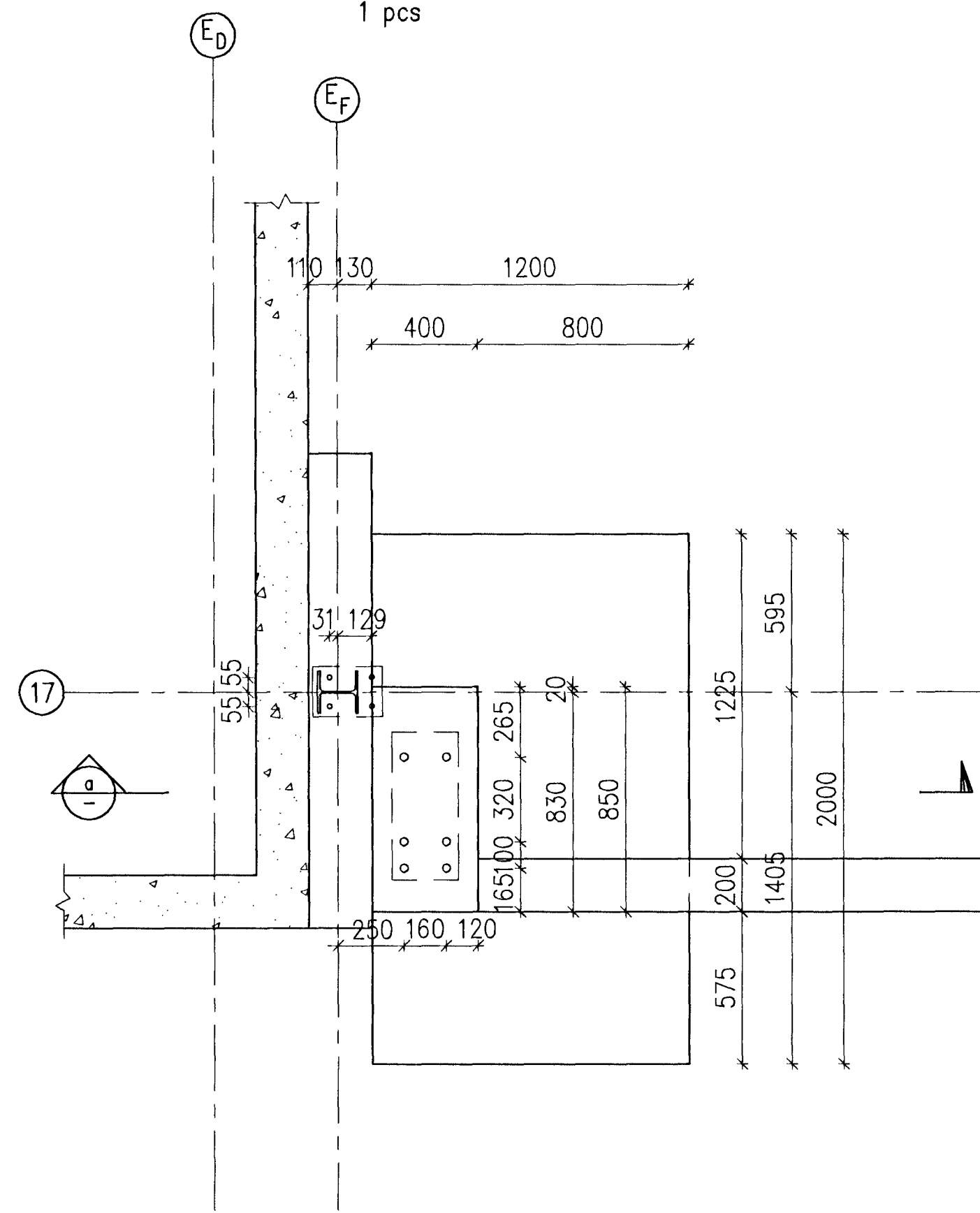


Samþykkt þann
 19 JAN 2011
 Byggingarvinnunni í nafnarfróð
 Áh. Hrólfur S. Gunnlaugsson

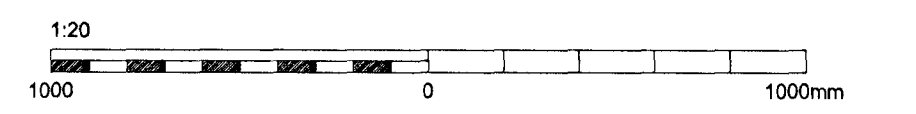
Nick Indriðsson
 NI

FOUNDATION F8

1 pcs



CONCRETE: C30/37:XF3-38



Skýringar:
 Explanations:



This drawing is the property of the Rio Tinto Alcan Iceland Ltd and handed out for personal use only. It may neither be copied nor made available to others without permission of the Rio Tinto Alcan Iceland Ltd. The receiver is liable for any misuse.

Fjöldi stykkja Number of pieces	Hlutur Object	Atmál Item	Efni Material	Þes. stik Weight	Ístak í heild (kg) Þyngd	Alþyggisemdir Remarks
IV III II I	ICC CASTHOUSE EXTENSION BUILDINGS BUILDING 2, FORM WORK FOUNDATION F8				Stærð Formet. A1 Max. Scale 1:20	
	Verktaki / Supplier	HRV			Tekun. vörsk. / Drawn. of suppl. ICC-611-CA-518-210	Breyt./Rev. C
	Teknað Drawn	GMG/AFV 2010.11.01	Yfirfarið Checked	NI	Samþykkt Approved	NI
	Teknað Drawn		Yfirfarið og skráð Checked and filed		ISAL Drawn. of ISAL / Tekn. of ISAL	Breyt./Rev. IS-222 Heitarforður

Breyt. Rev.	Dags. Date	Samþ. Approved	Notk. heimil. Released
2	10.11.24	Kjops	
Tilv. teikningar nr. ISAL Ref. drawing no. of ISAL			
Samsetn. teikningar nr. ISAL Assembly drawing no. of ISAL			