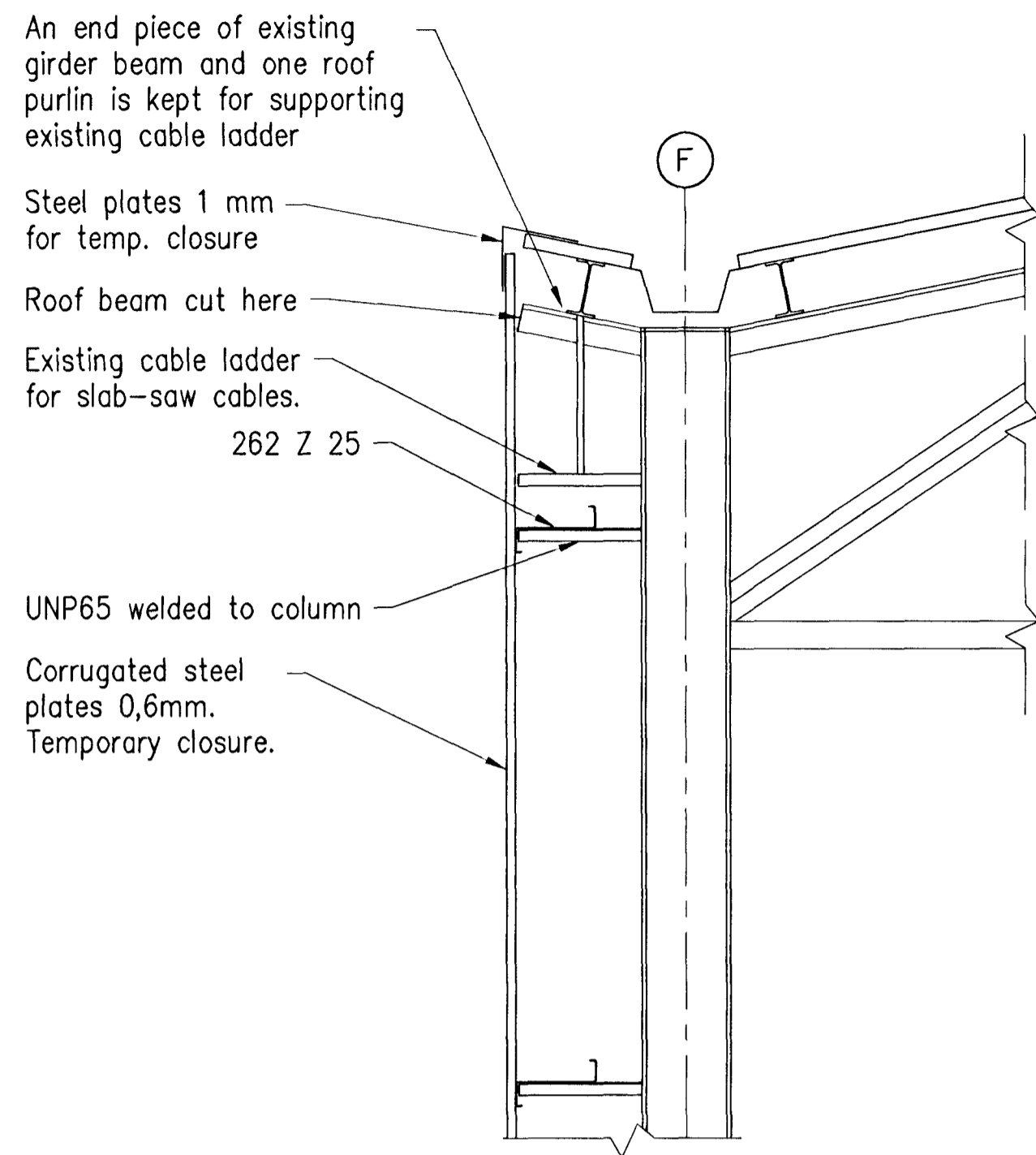


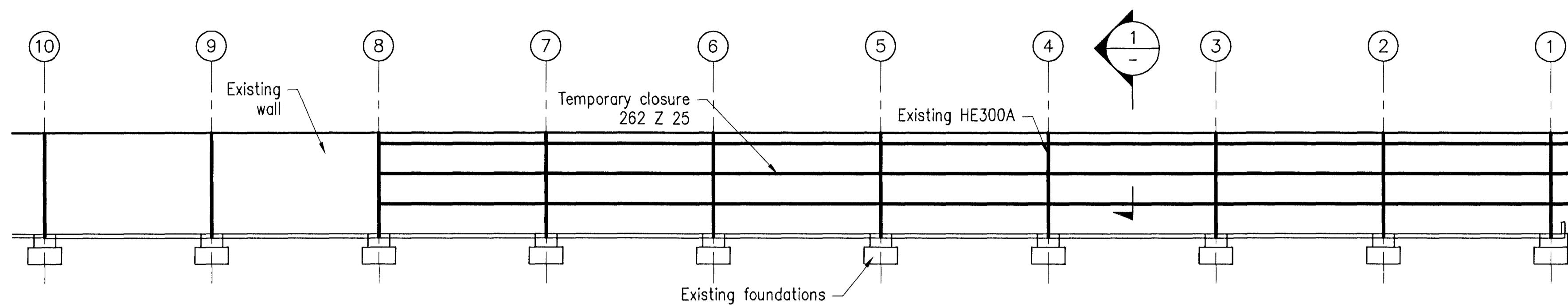
Samþykkt þann  
19 JAN 2011  
Bygginguneyti Hólmavíkur  
F.h. Hönnur S. Gunnlaugsson

Nick Indriðason  
w

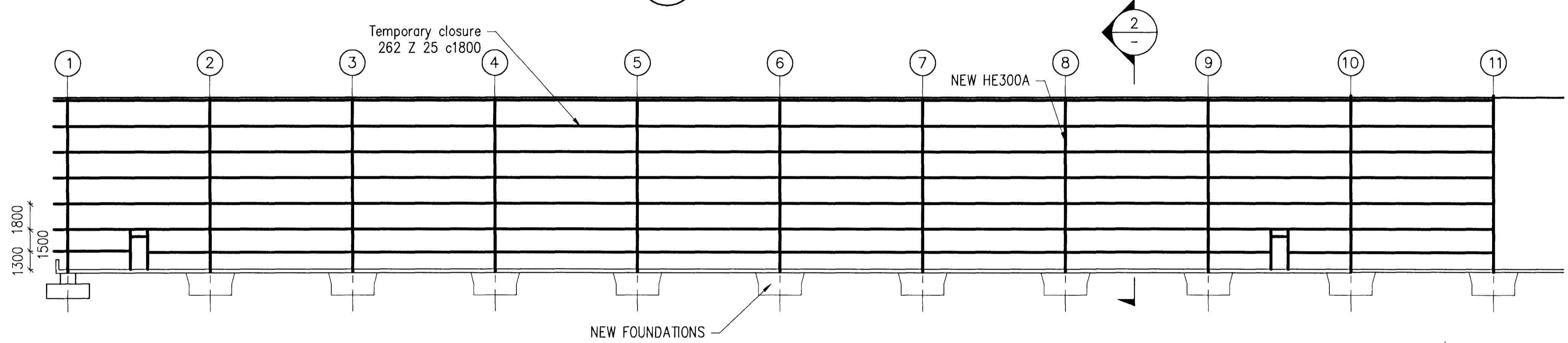
1 SECTION 1:20



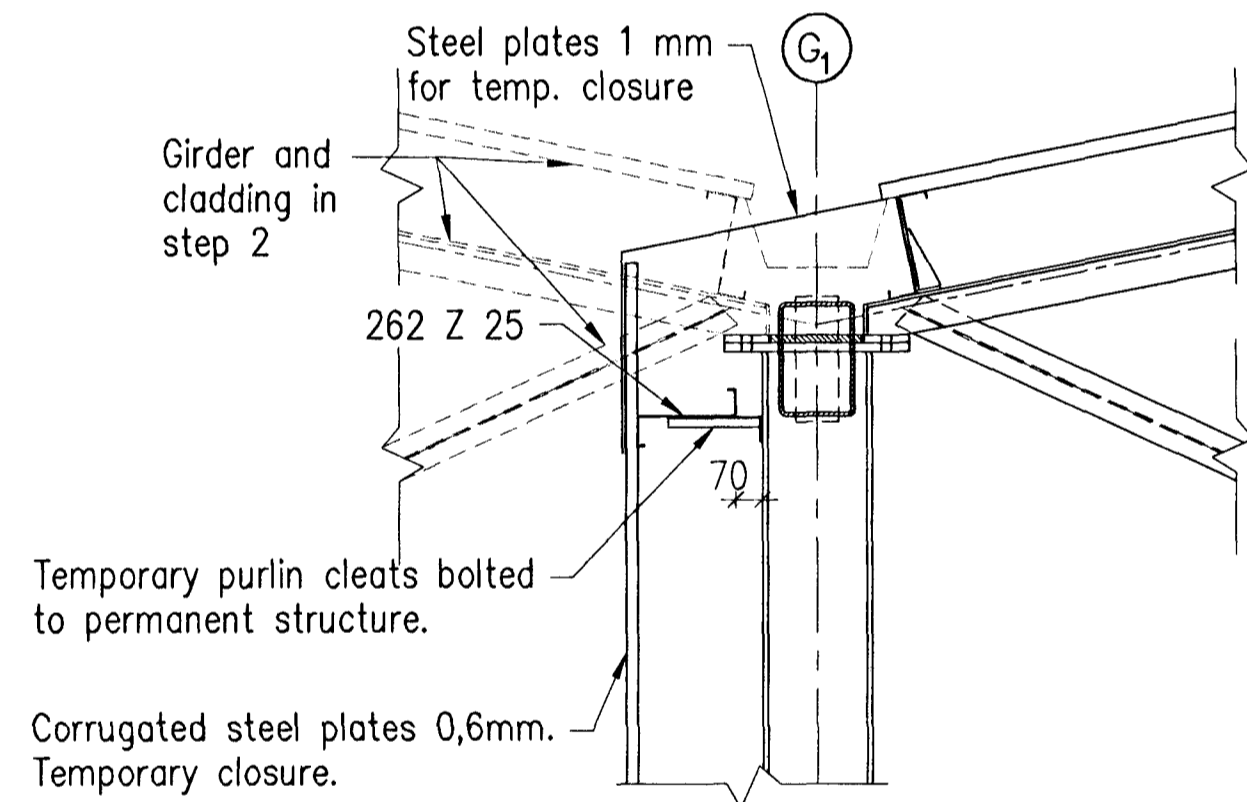
TW 1 NORTH SIDE VIEW  
211 TEMPORARY WALL LINE F



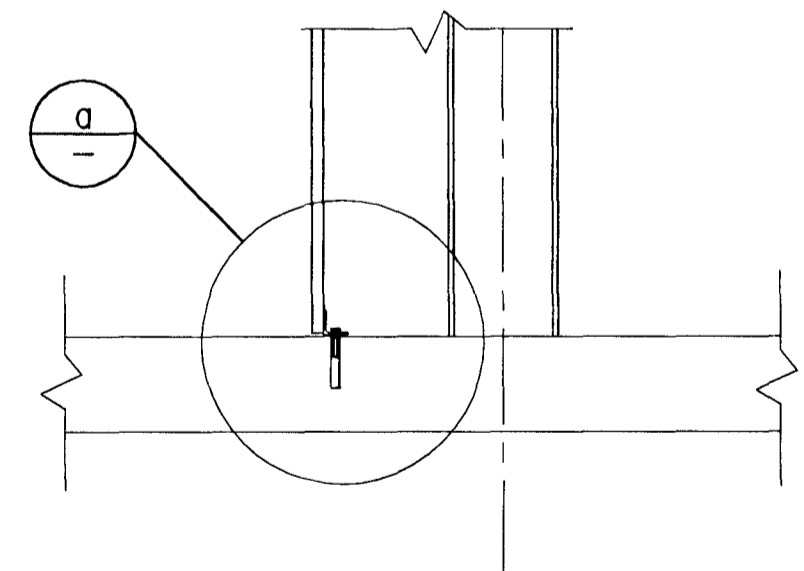
TW 2 SOUTH SIDE VIEW  
211 TEMPORARY WALL LINE G



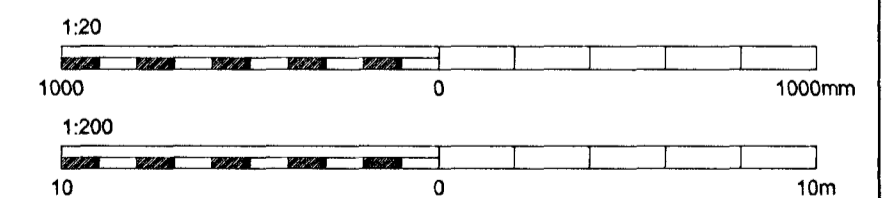
2 SECTION 1:20



a DETAIL 1:10



L65x65x6 on a sealing strip.  
Fastened with M12 adhesive  
bolt with sleeve c/c 1,5m



Skýringar:  
Explanations:



This drawing is the property of the Rio Tinto Alcan Iceland Ltd. and handed out for personal use only. It may neither be copied nor made available to others without permission of the Rio Tinto Alcan Iceland Ltd. The receiver is liable for any misuse.

Fjöldi stúkkja	Hlutur	Atvöð	Efni	ea. stk	Totali heild	Athugasemdir
Number of pieces	Object	Item	Material	Weight	(kg) Bygnd	Remarks
IV   III   II   I	ICC					Starb. A1 Mv. 1:200/20 Forma Scale Kastnr.-búnaur. / Cóno-Eqno
	CASTHOUSE EXTENSION BUILDINGS					AKS no.
	TEMPORARY STRUCTURES, STEP 1					Talcar. vefsta / Drawn of appl. Ref. Rev.
	STEEL STRUCTURE, SIDE VIEWS					ICC-611-C0-518-213 C
	Ventur / Supplier	HRV				Samþykkt / Approved A1
Talcar. Drawn	GMG	2010.11.01	Vfirðir / Checked	NI		ISAL Draw no. of ISAL / Teknur. ISAL
						ISAL Draw no. of ISAL / Teknur. ISAL
						Alcan Iceland Ltd. IS-222 málverkur
						Núkom heimild / Released

Breyt. Rev.	Issue for construction	Date	Samþ. Approved	Notk. heimil. Released
2	Issue for construction	10.11.24	Kjop	
	Breyting / Revision	Date	Samþ. Approved	Notk. heimil. Released
	Tvítalningar nr. ISAL / Ref drawing no. of ISAL		Samsetningartekningar nr. ISAL / Assembly drawing no. of ISAL	