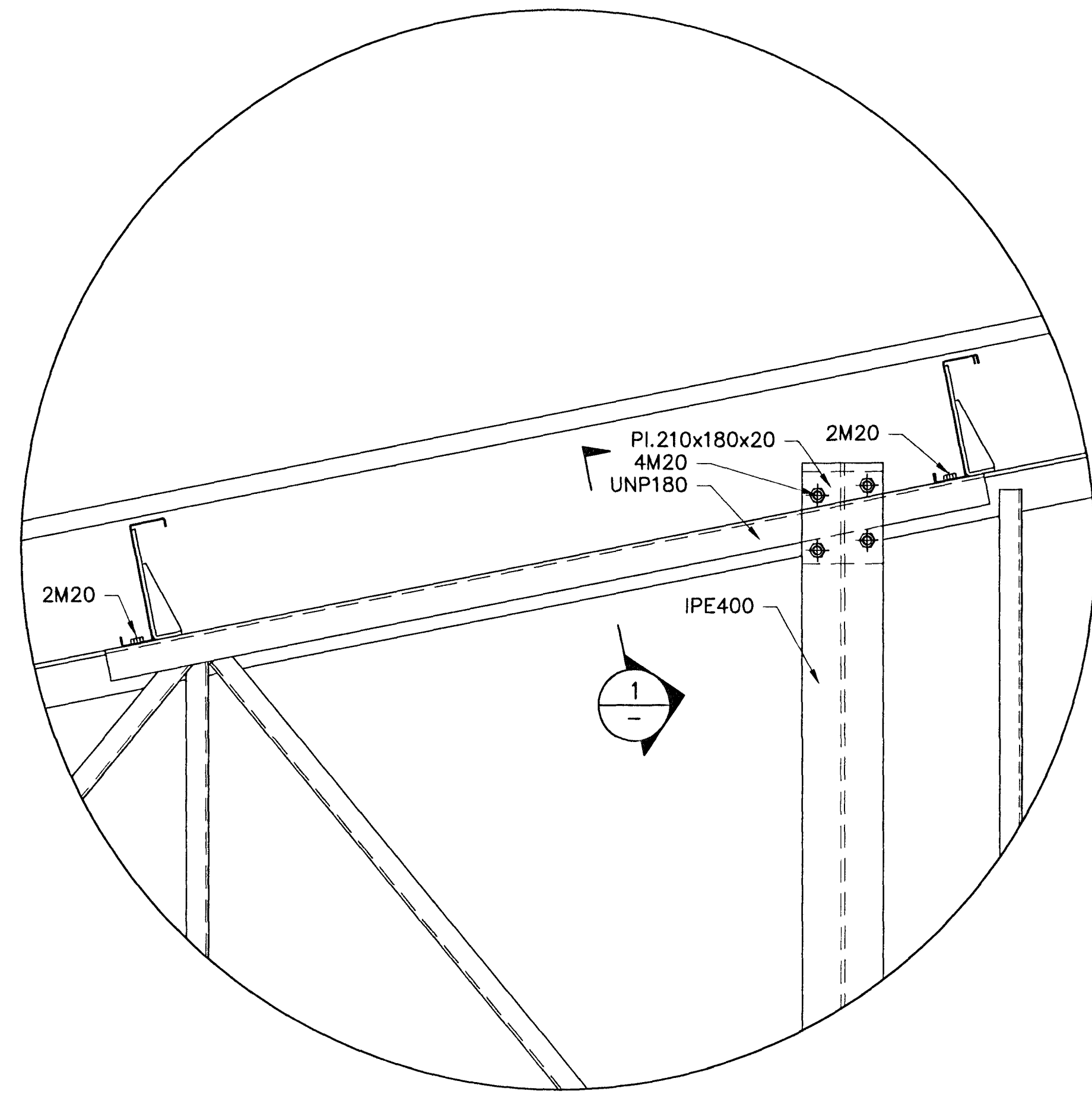
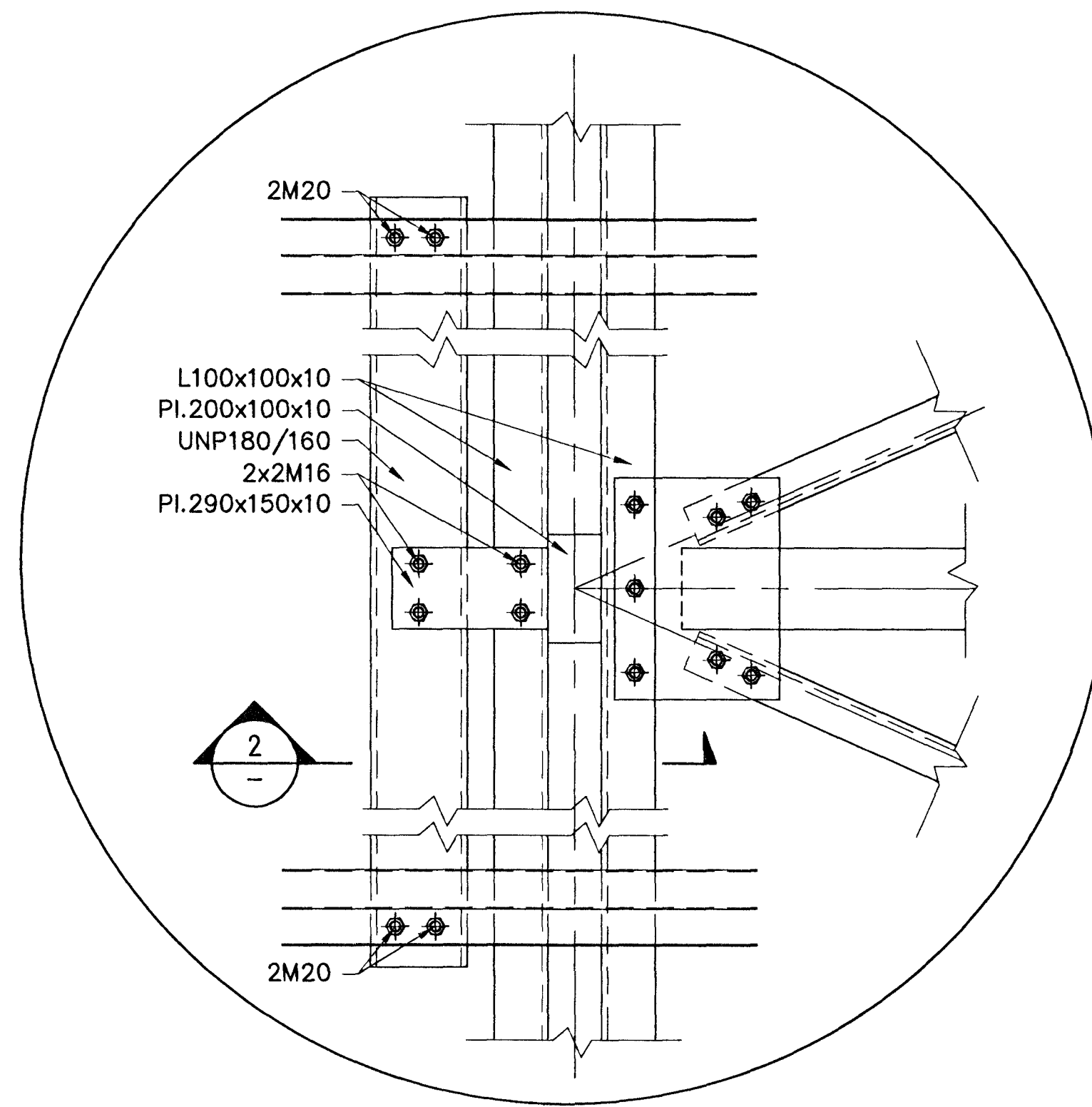


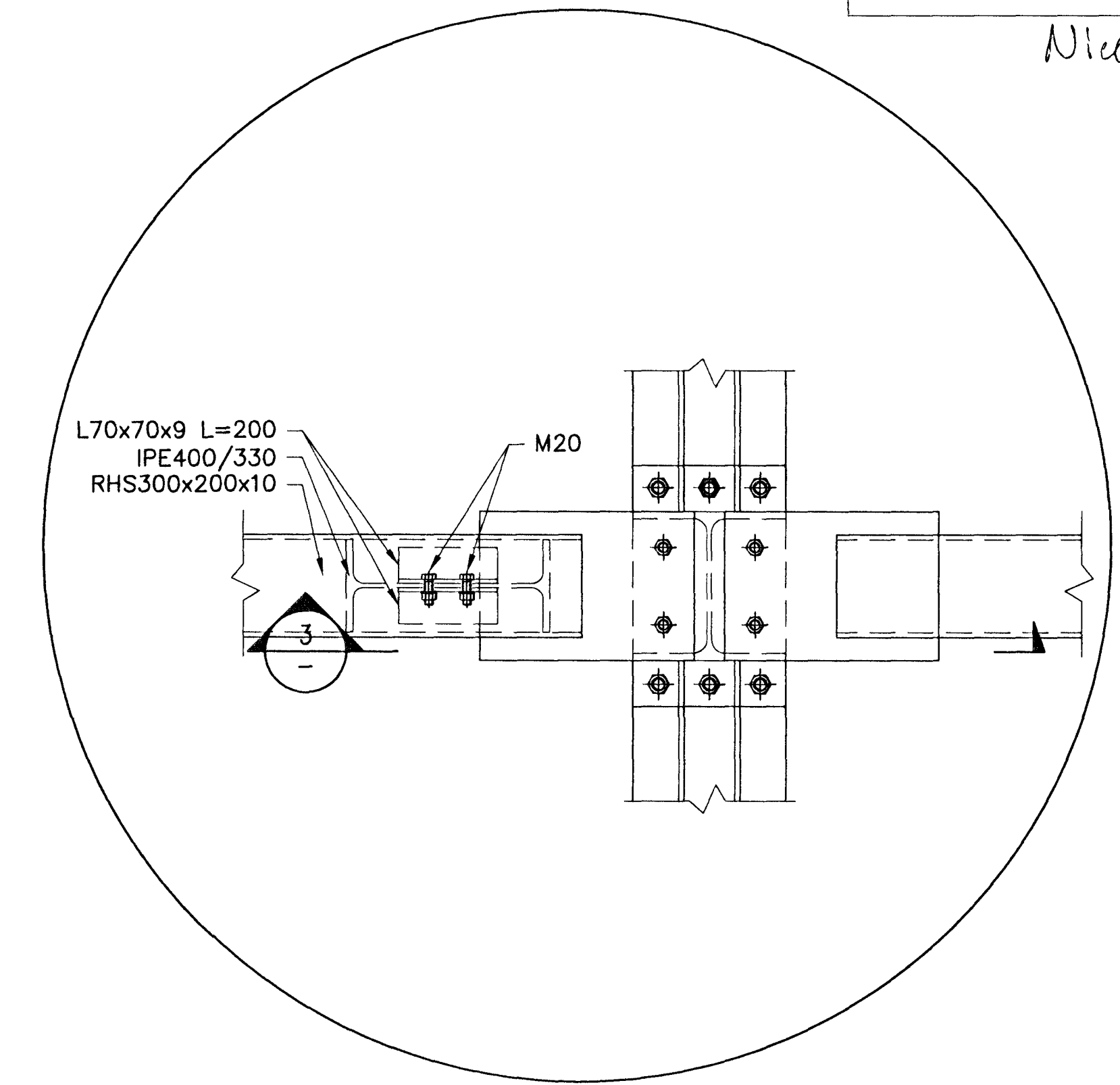
**B**  
214  
DETAIL 1:10



**D**  
214  
DETAIL 1:10



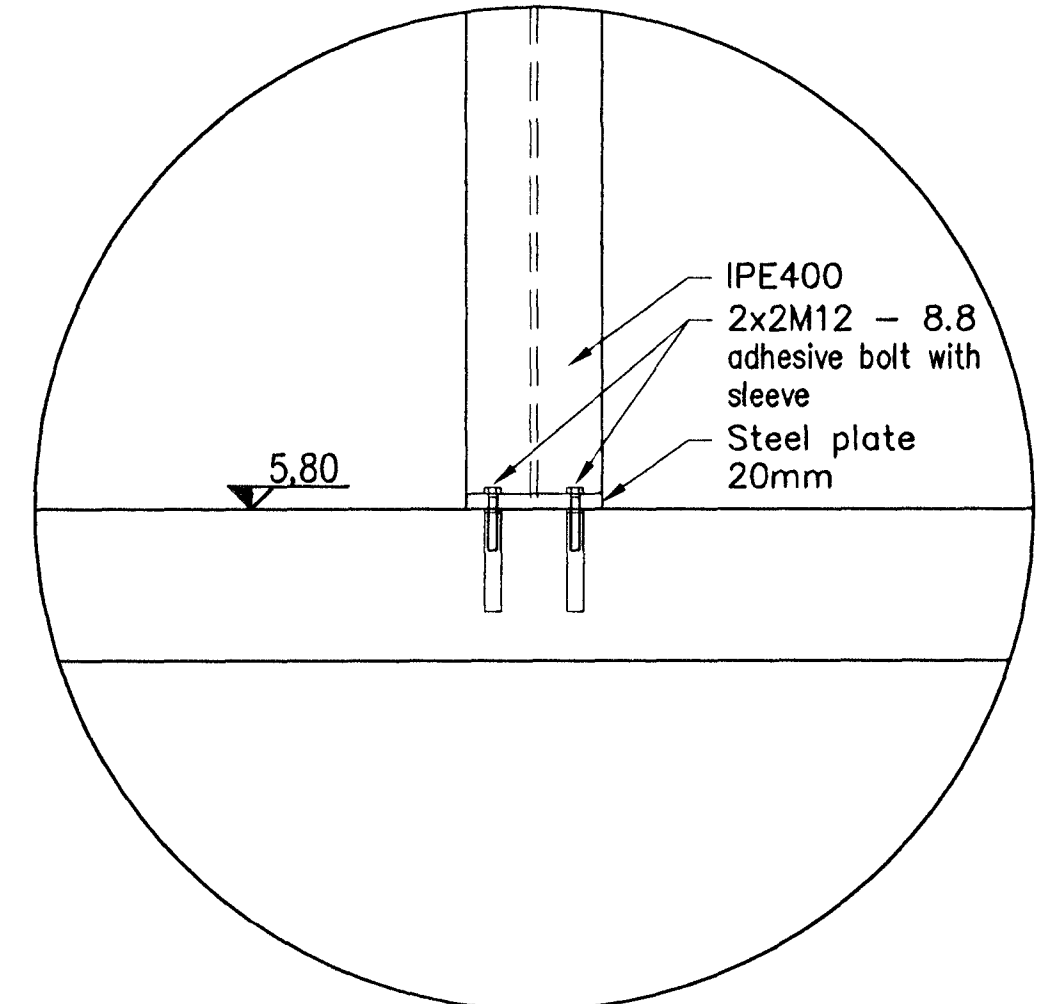
**E**  
214  
DETAIL 1:10



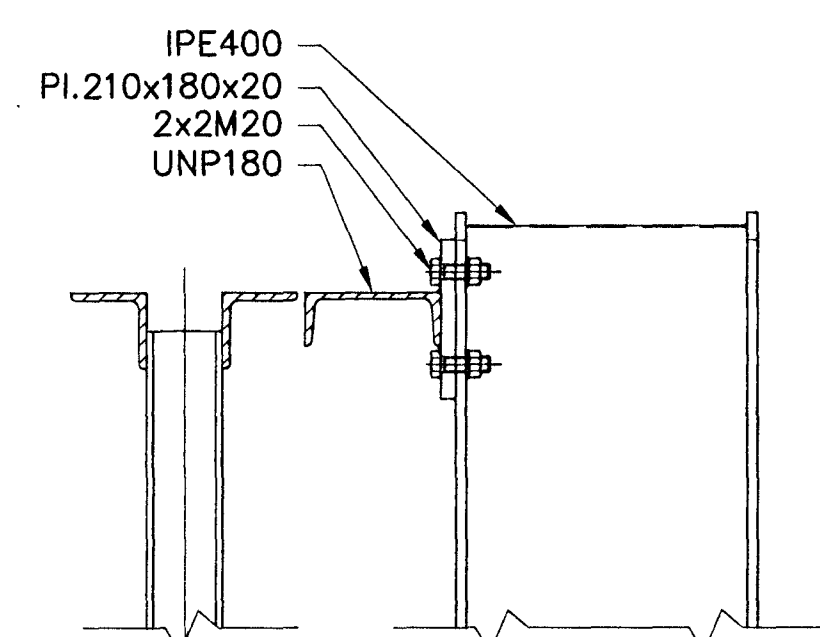
Samþykkt þann  
19 JAN 2011  
Byggingarvinnur / Hafnarfríð  
F.h. Hörfur S. Gunnlaugsson

Níels Indriðason  
101

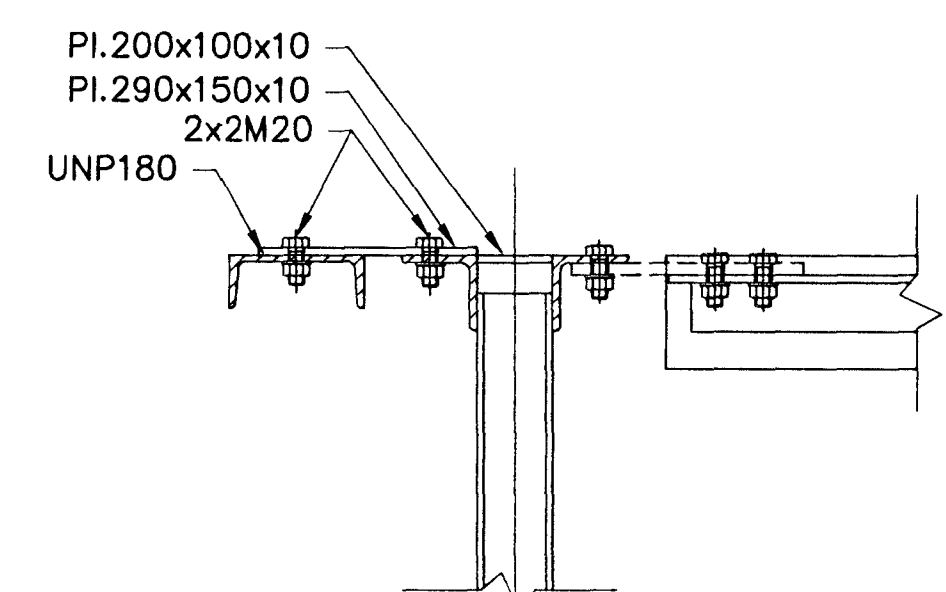
**C**  
214  
DETAIL 1:10



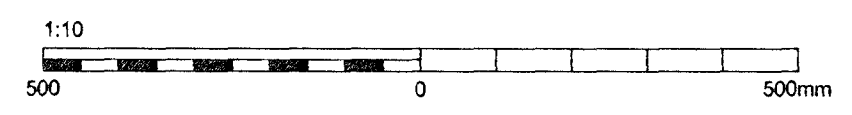
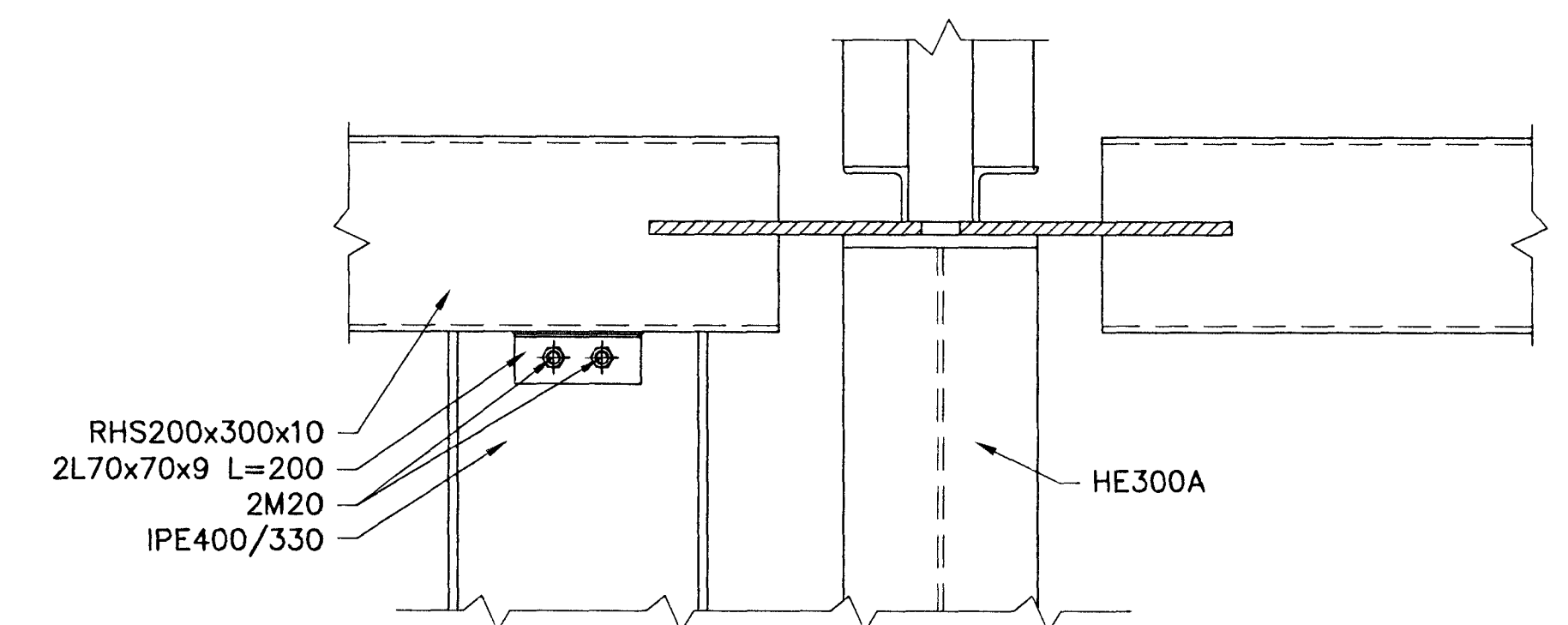
**1**  
SECTION 1:10



**2**  
SECTION 1:10



**3**  
SECTION 1:10



Skýringar:  
Explanations:



This drawing is the property of the Rio Tinto Alcan Iceland Ltd. and handed out for personal use only. It may neither be copied nor made available to others without permission of the Rio Tinto Alcan Iceland Ltd. The receiver is liable for any misuse.

| Fjöldi stykja<br>Number of pieces | Hlutur<br>Object  | Afskipti<br>Item | Efni<br>Material                    | æð. stik<br>Weight | Totalt í heild<br>Totalt í heild                              | Athugasemdir<br>Remarks     |
|-----------------------------------|---|------------------|-------------------------------------|--------------------|---|-----------------------------|
| IV III II I                       | ICC<br>CASTHOUSE EXTENSION BUILDINGS<br>TEMPORARY STRUCTURES, STEP 1<br>SECTIONS, DETAILS |                  |                                     |                    | Stærð<br>Format<br>A1   | Mik.<br>Scale<br>1:10       |
|                                   | Vertikal / Supplier<br>HRV  |                  |                                     |                    | Tekur. vertika / Dk.no. of suppl.<br>ICC-611-C0-518-216       | Breyt./Rev<br>C             |
|                                   | Teknað / Drawn<br>GMG   | 2010.11.01       | Yfirferð / Checked<br>NI            |                    | Sambýkt / Approved<br>NI                                      |                             |
|                                   | RioTinto Alcan  |                  |                                     |                    | ISAL<br>Strauurvik<br>Alcan Iceland Ltd<br>IS-222 Hafnarforst | Breyt./Rev<br>ISAL          |
|                                   | Teknað / Drawn  |                  | Yfirferð og síð / Checked and filed |                    |   | Stökun heimilub<br>Released |

| Breyt.<br>Rev. | Breyting<br>Revision   | Dags.<br>Date | Samþ.<br>Approved | Notk. heimil.<br>Released |
|----------------|--|---------------|-------------------|---------------------------|
| 2              | Issue for construction                                       | 10.11.24      | HRV               |                           |
|                | Teknað / Drawn   |               |                   |                           |
|                | Samsetn. teikningar nr. ISAL<br>Assembly drawing no. of ISAL |               |                   |                           |