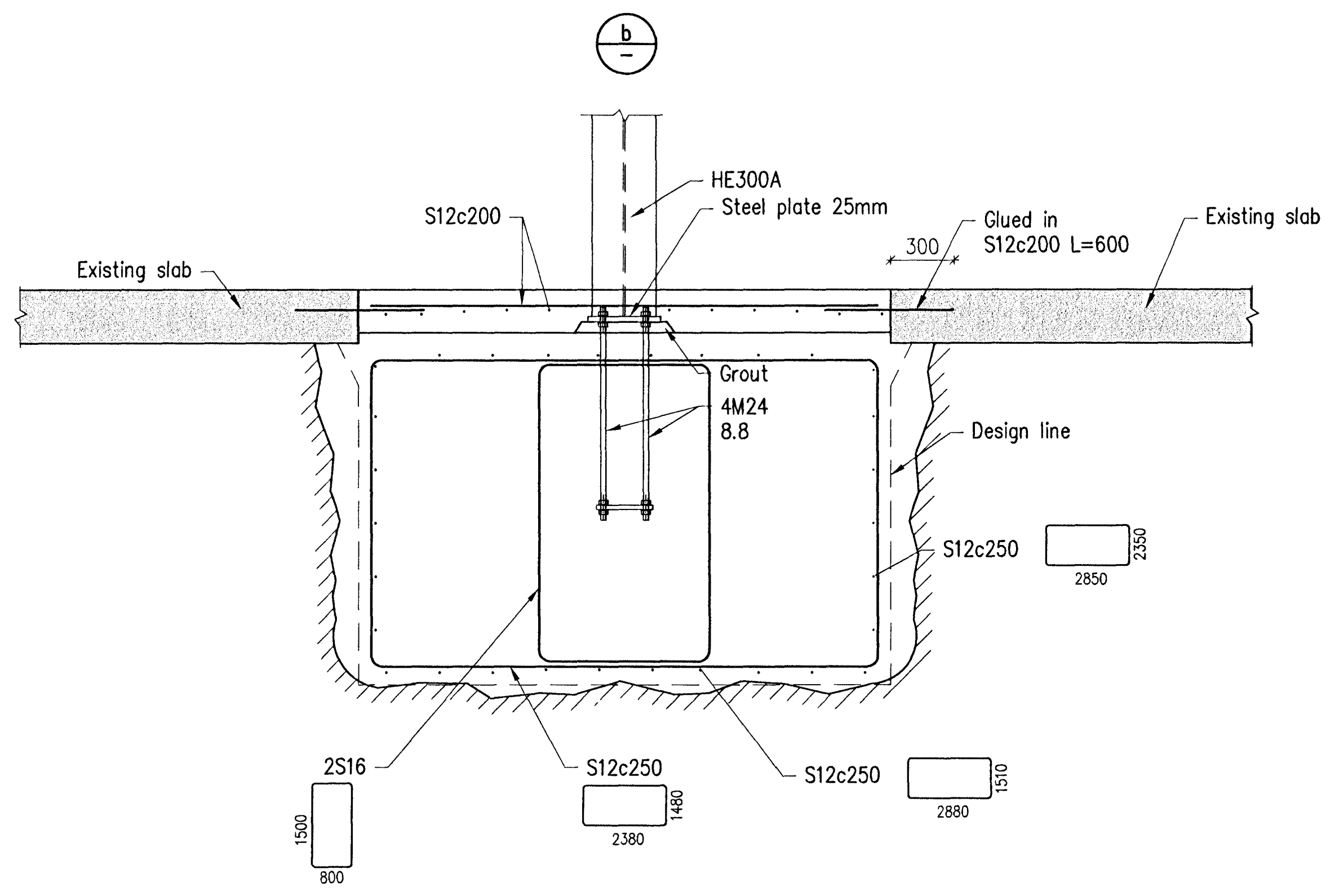
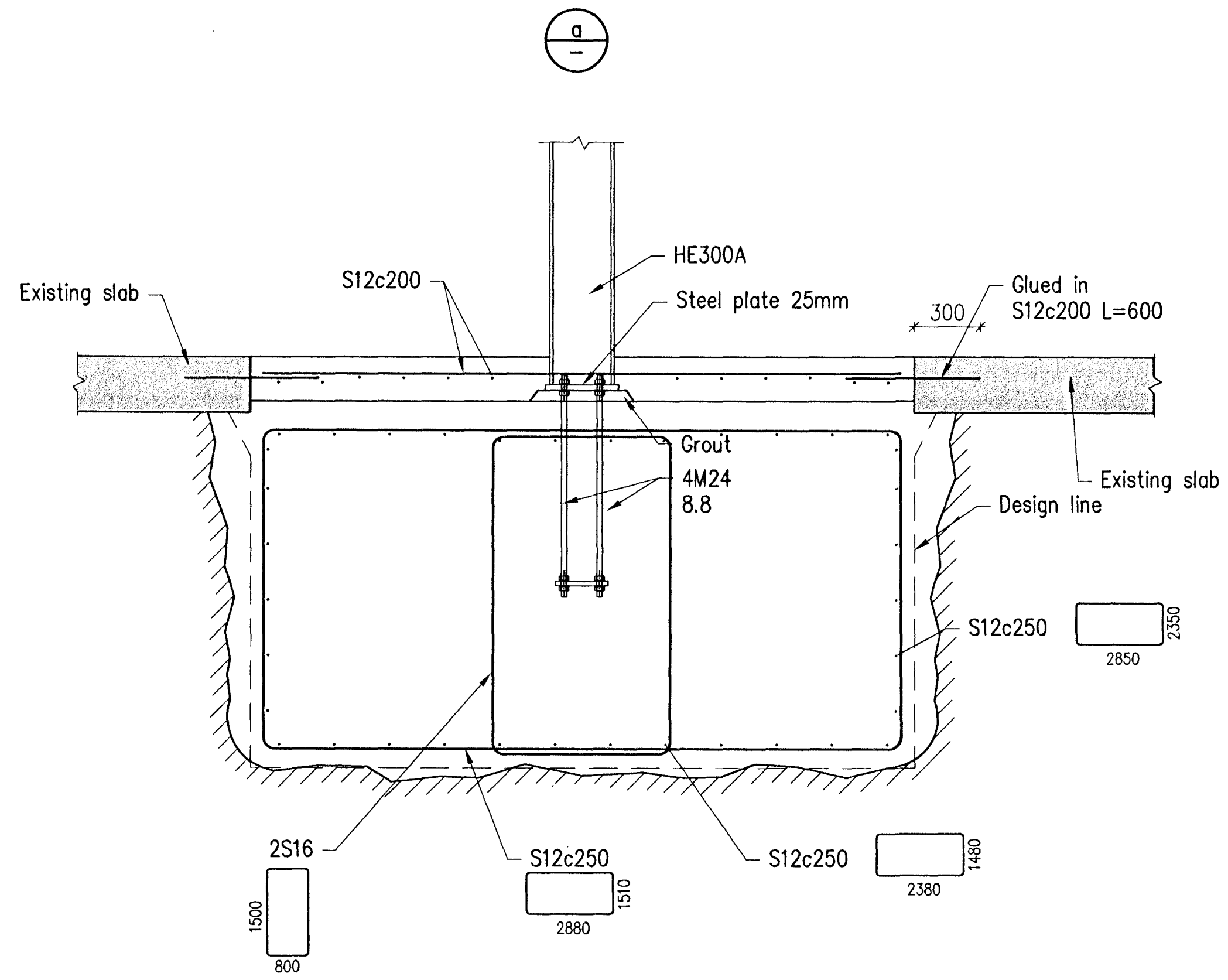
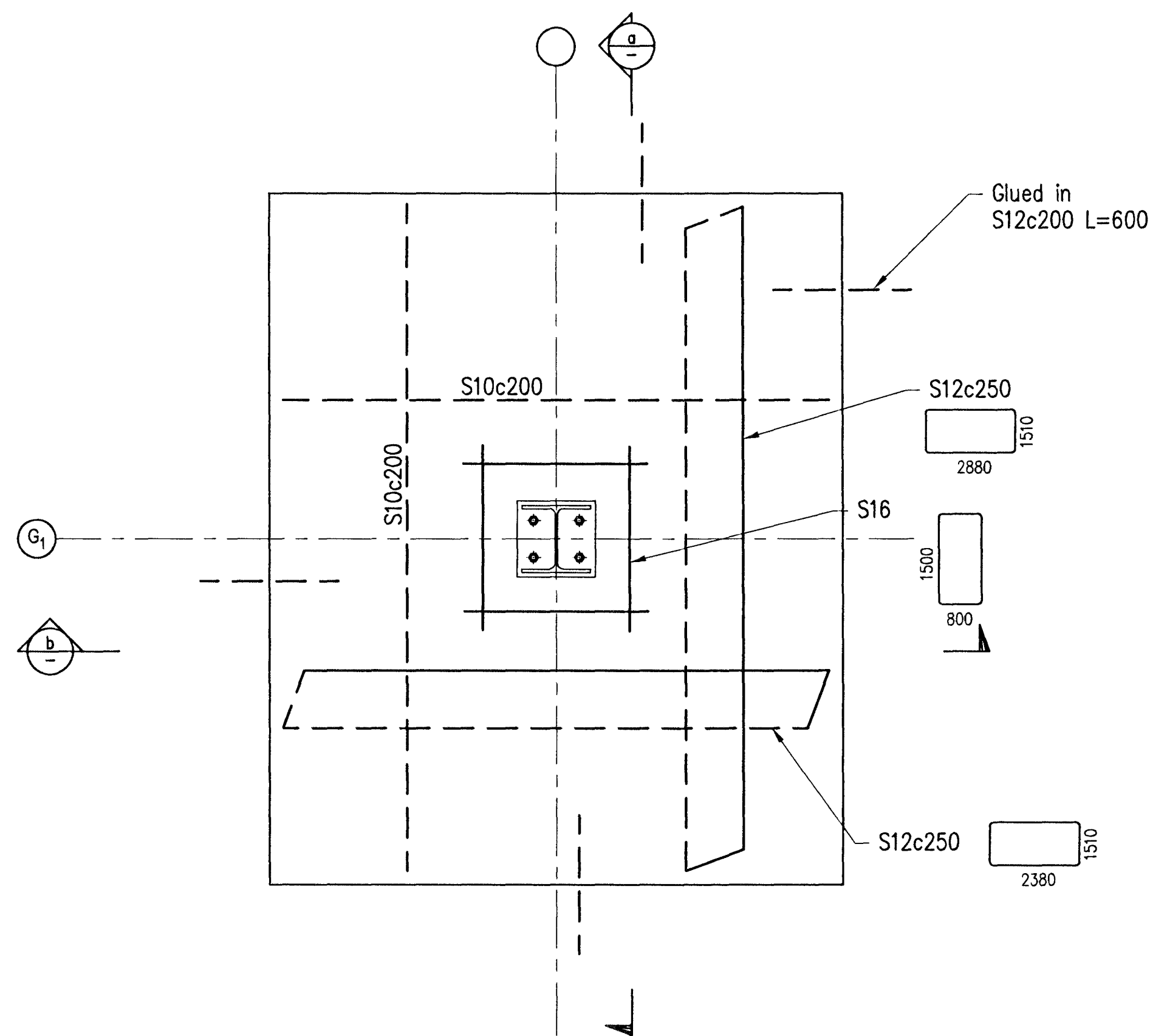


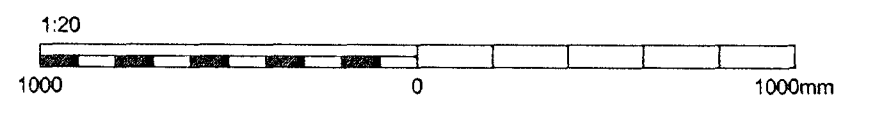
Samþykkt þann
19 JAN 2011
Byggingatvörunn / Hafnarfróð
K.H. Hrafnur S. Gunnlaugsson

Nick Indriðason
NI

FOUNDATION F2



CONCRETE: C30/37:XF3-38



Skýringar:
Explanations:



3	Issued for construction	10.11.24	Kjapp		
Dreyt. / Rev.	Breyting / Revision	Dags. / Date	Samþ. / Approved	Nað. / Not Released	
Tilv. teikningar nr. ISAL / Ref. drawing no. of ISAL		Samsetn. teikningar nr. ISAL / Assembly drawing no. of ISAL			

This drawing is the property of the Rio Tinto Alcan Iceland Ltd. and handed out for personal use only. It may neither be copied nor made available to others without permission of the Rio Tinto Alcan Iceland Ltd. The receiver is liable for any misuse.

Fjöldi stúka / Number of pieces	IV	III	II	I
Hlutur / Object	ICC	CASTHOUSE EXTENSION BUILDINGS BUILDING 2, REINFORCEMENT FOUNDATION F2		
Afn. / Item	HRV	Tökn. nr. / Drawn by: HRV		
Efni / Material	GMG/AFV 2010.10.15	Yfirg. / Checked	NI	Tökn. nr. / Drawn by: GMG/AFV 2010.10.15
eo. stik / Weight	Tökn. nr. / Drawn by: HRV			ICC-611-CA-518-232
totalt heild / Total weight	Tökn. nr. / Drawn by: HRV			1:20
Stærð / Scale	Tökn. nr. / Drawn by: HRV			1:20
Athugasemdir / Remarks	Kostn. nr. / Cost no. / Öðra. / Etc.			
Tökn. nr. / Drawn by: HRV				
Tökn. nr. / Drawn by: GMG/AFV 2010.10.15				
Tökn. nr. / Drawn by: HRV				
Tökn. nr. / Drawn by: HRV				